

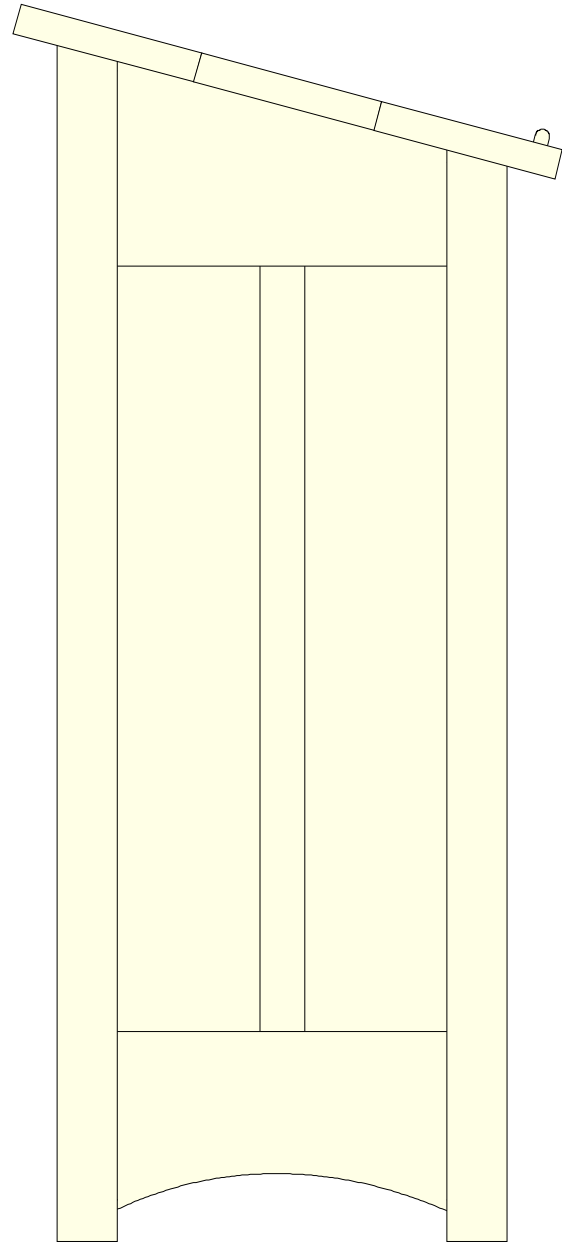
AKERS

# Craftsman Lectern

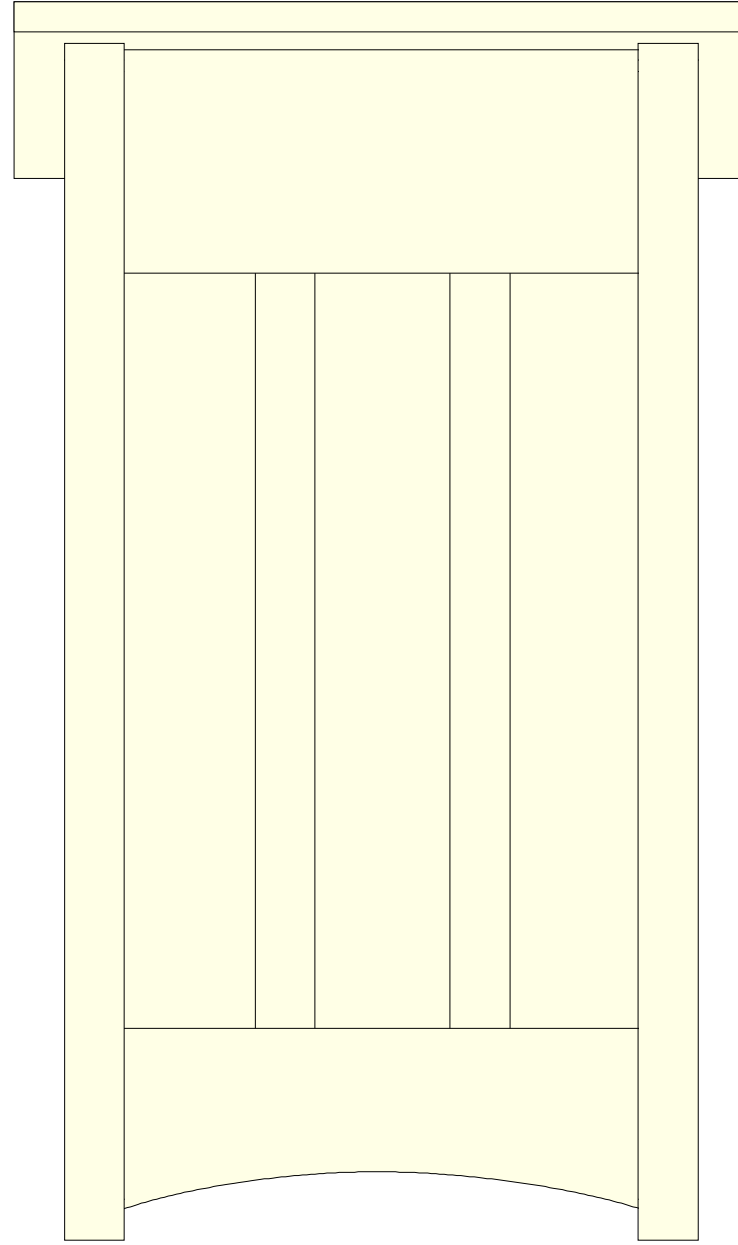
---

Walt Akers - 2000

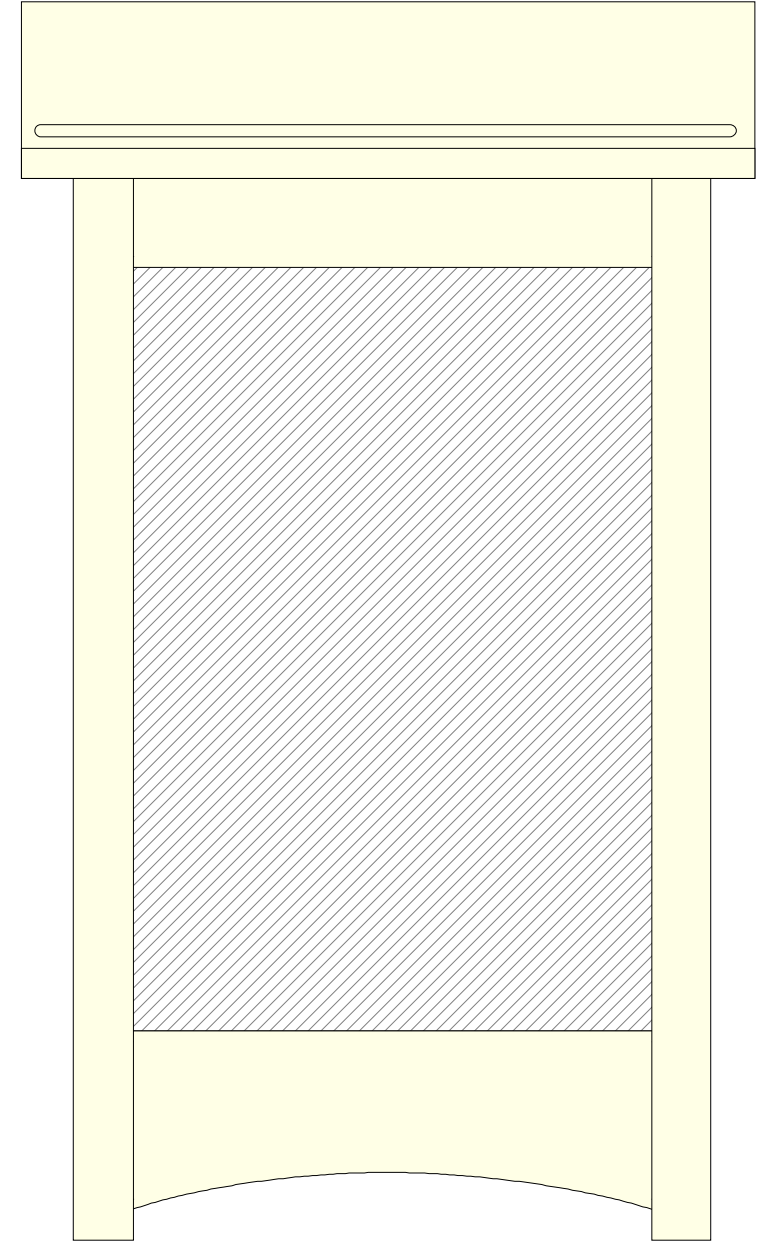
# Directional Views of Table



Side View



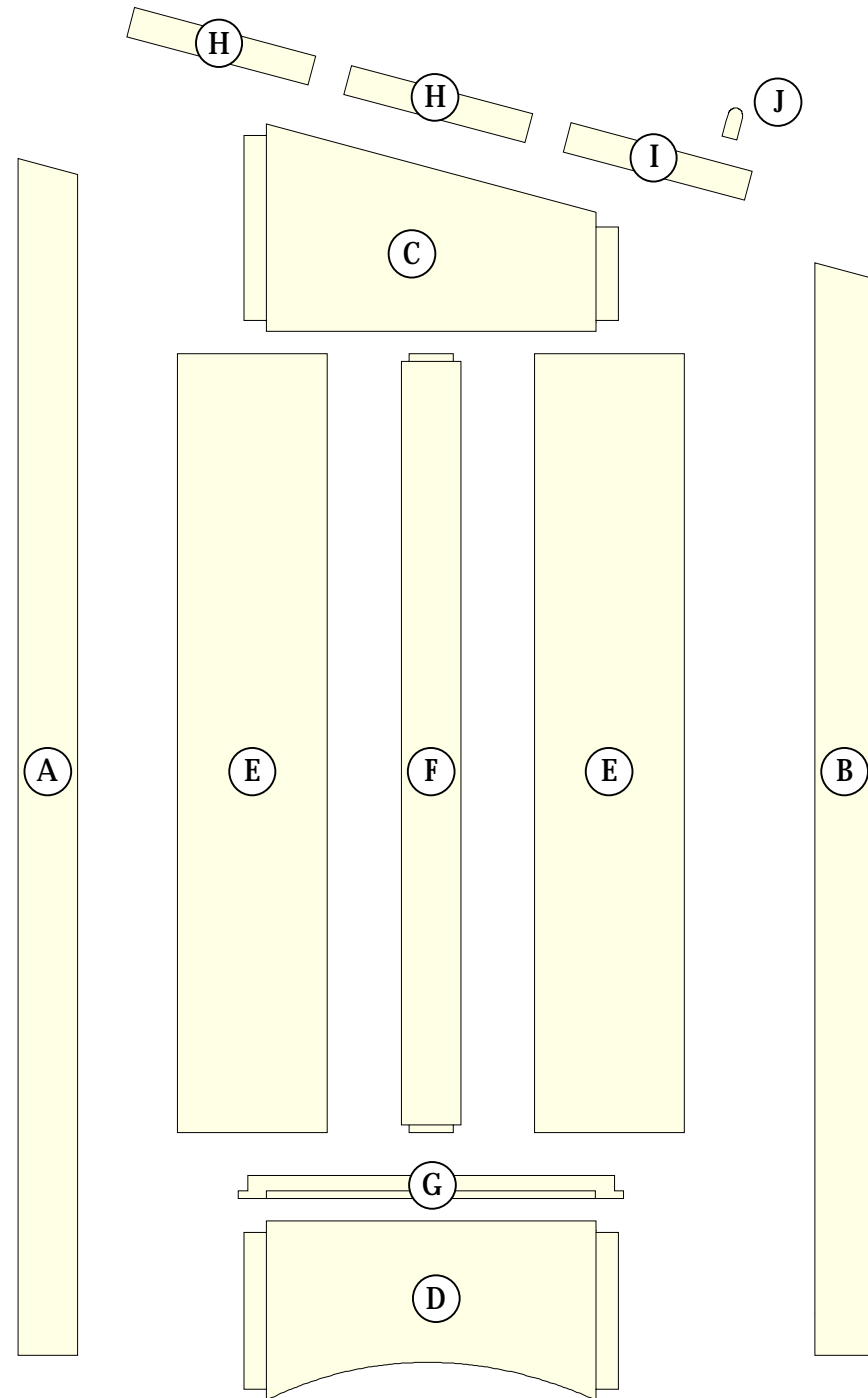
Front View



Rear View

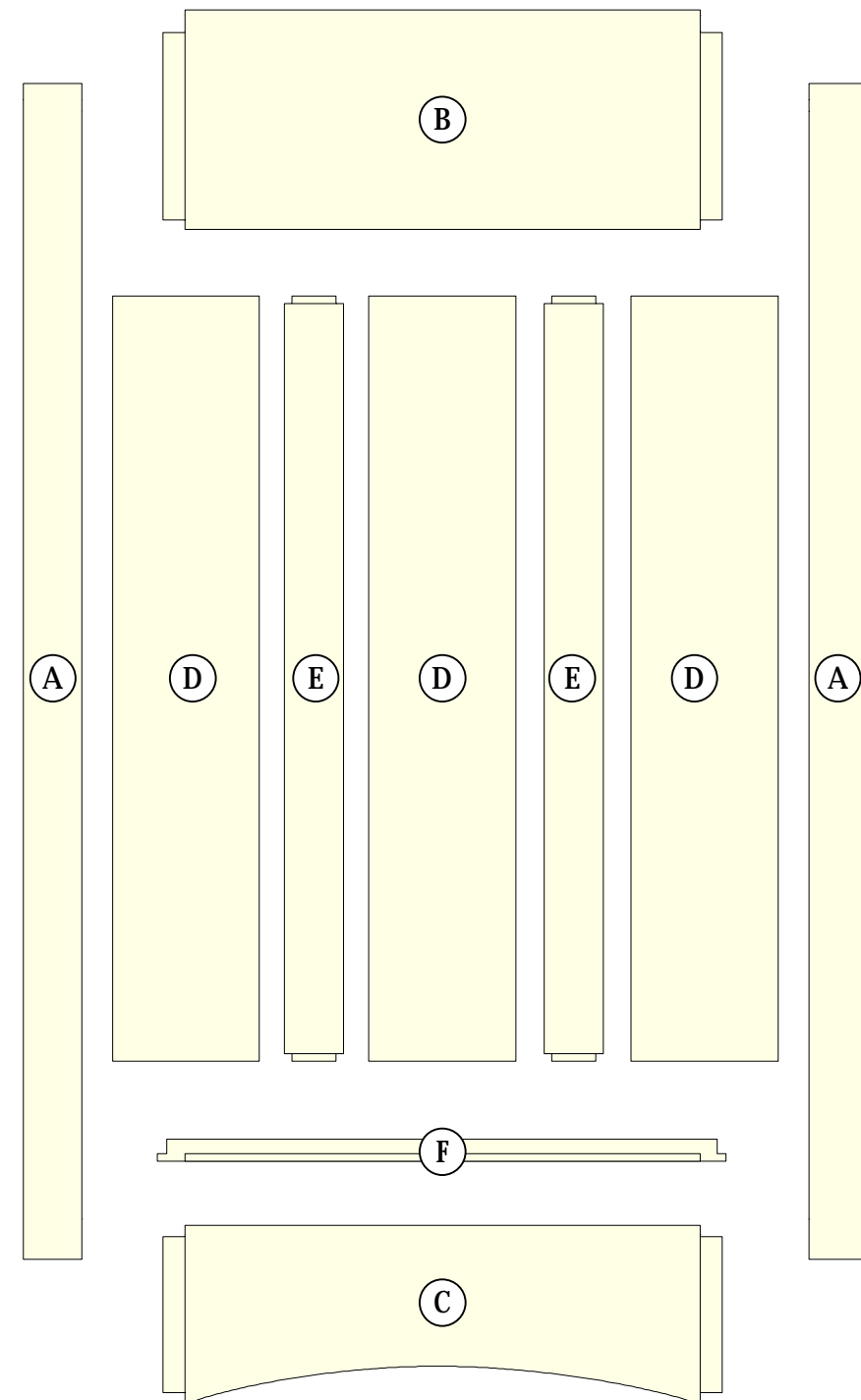
## Exploded Side View of Lectern

- |                    |                      |
|--------------------|----------------------|
| A) Front Leg       | F) Muntin            |
| B) Rear Leg        | G) Bottom Shelf      |
| C) Upper Side Rail | H) Top Plank         |
| D) Lower Side Rail | I) Grooved Top Plank |
| E) Panel           | J) Ledge             |



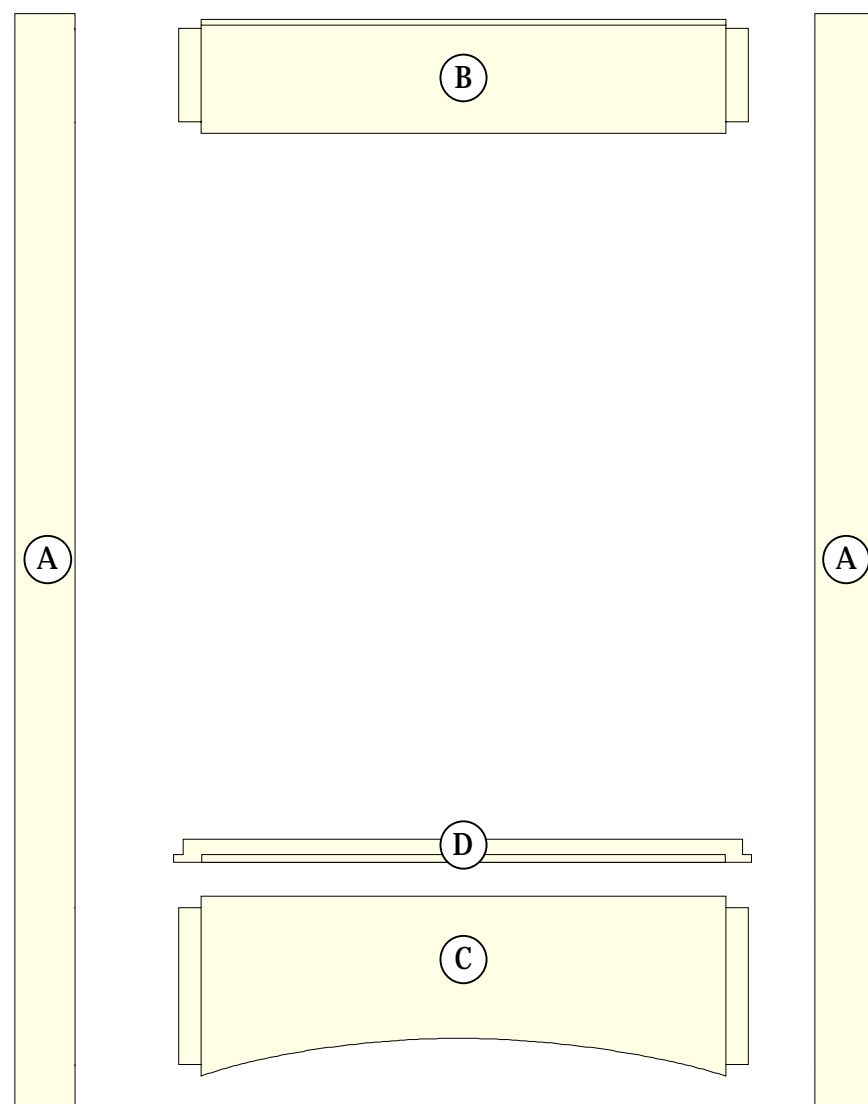
## Exploded Front View of Lectern

- |                     |                 |
|---------------------|-----------------|
| A) Front Leg        | D) Panel        |
| B) Upper Front Rail | E) Muntin       |
| C) Lower Front Rail | F) Bottom Shelf |



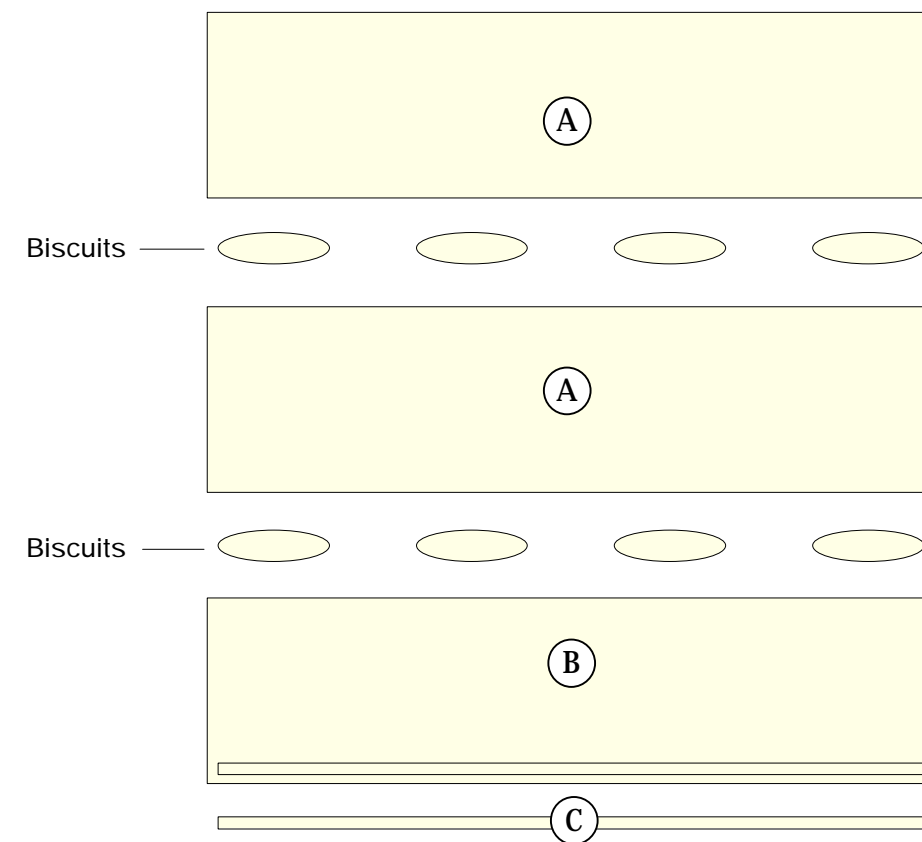
## Exploded Rear View of Lectern

- A) Rear Leg
- B) Upper Front Rail
- C) Lower Front Rail
- D) Bottom Panel



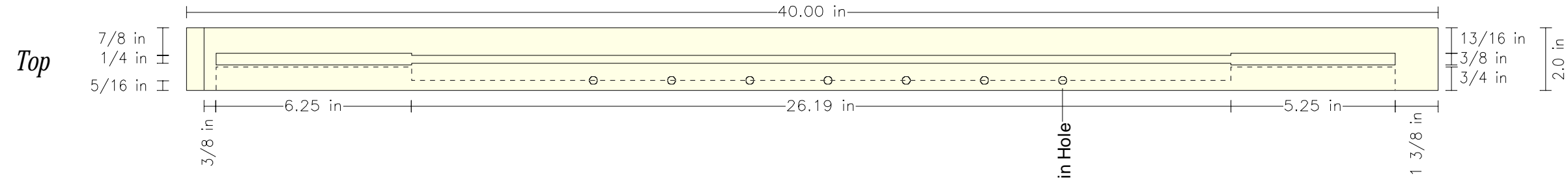
## Exploded View of Lectern Table

- A) Top Plank
- B) Grooved Top Plank
- C) Ledge

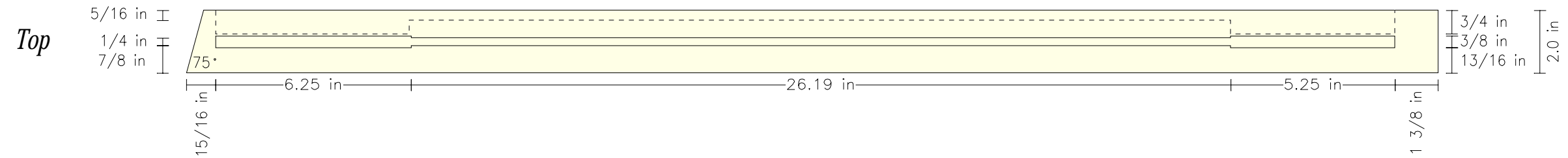


# Right Front Leg

## Rear View



## Side View

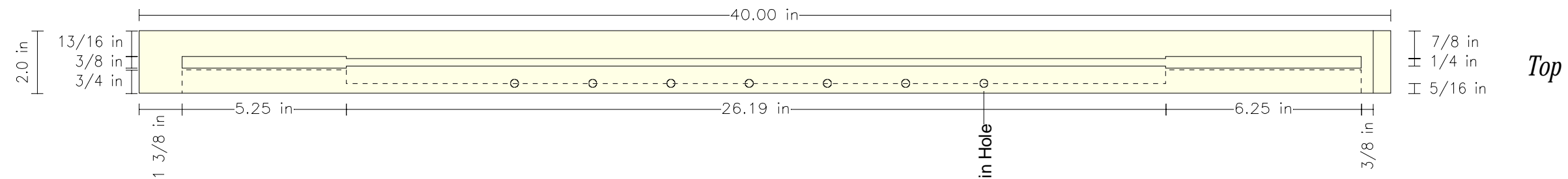


Note A : Left and right is given as seen when standing behind the lectern.

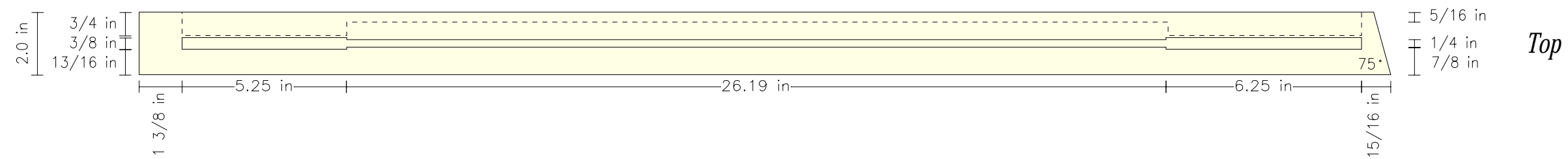
Note B : Shelf pin holes are optional and are only shown to illustrate their general position. The actual location of the holes (if installed) will depend on the diameter and length of the pins and the number of possible shelf positions that the builder wants to facilitate.

# Left Front Leg

## Rear View



## Side View

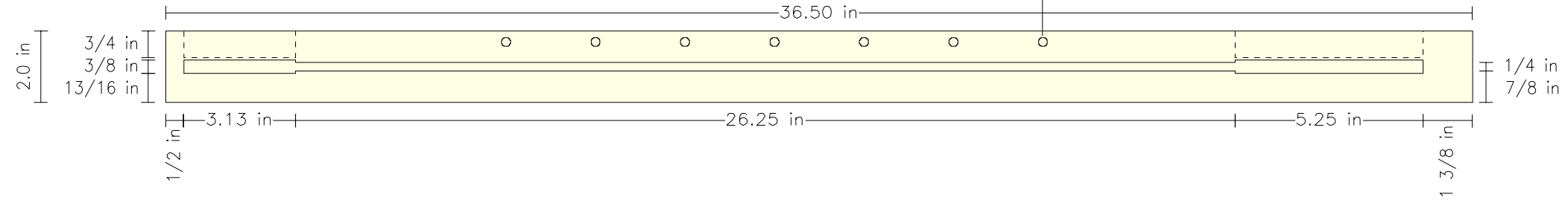


# Right Rear Leg

## Front View

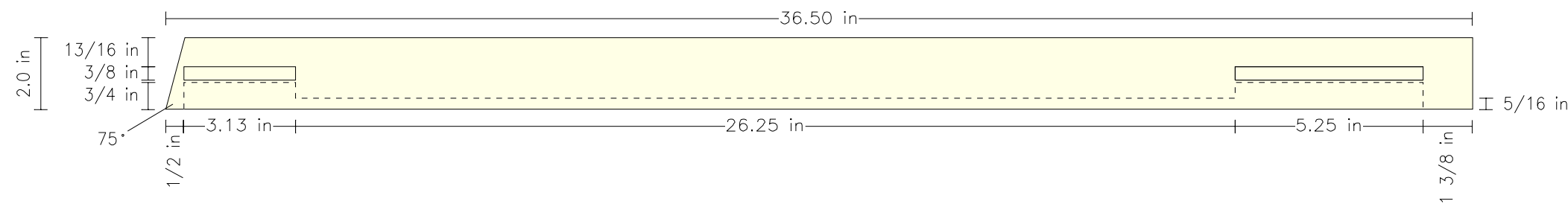
Shelf Pin Hole

Top



## Side View

Top



Note A : Left and right is given as seen when standing behind the lectern.

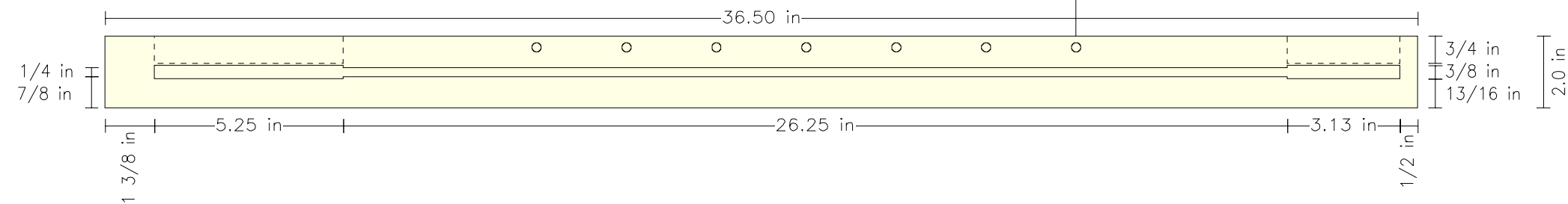
Note B : Shelf pin holes are optional and are only shown to illustrate their general position. The actual location of the holes (if installed) will depend on the diameter and length of the pins and the number of possible shelf positions that the builder wants to facilitate.

# Left Rear Leg

## Front View

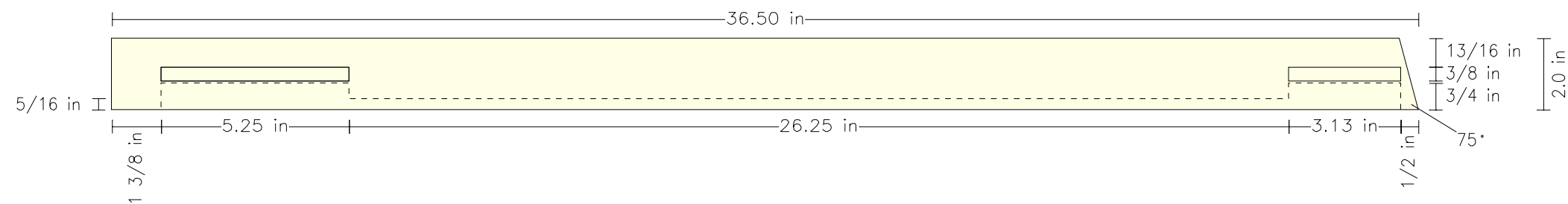
Shelf Pin Hole

Top



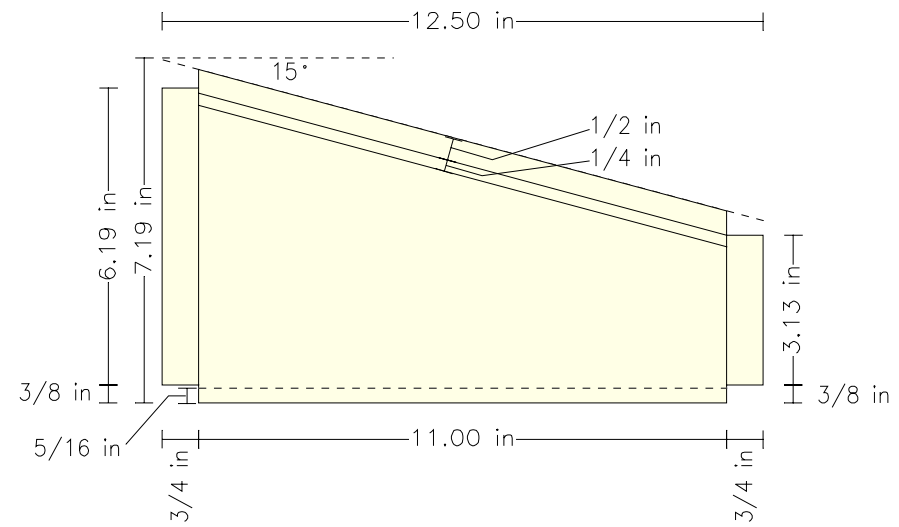
## Side View

Top

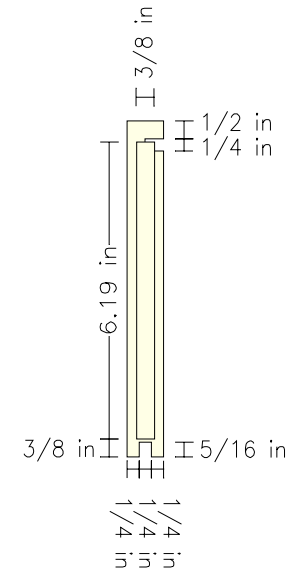


## Right Upper Side Rail

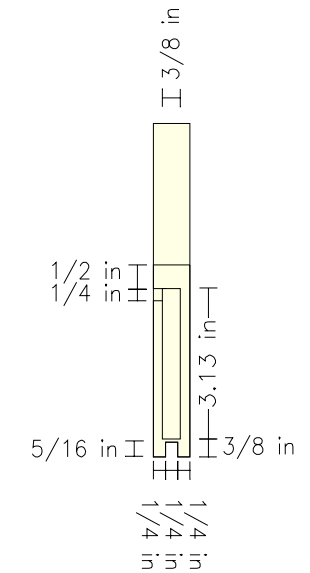
Side View



Front View

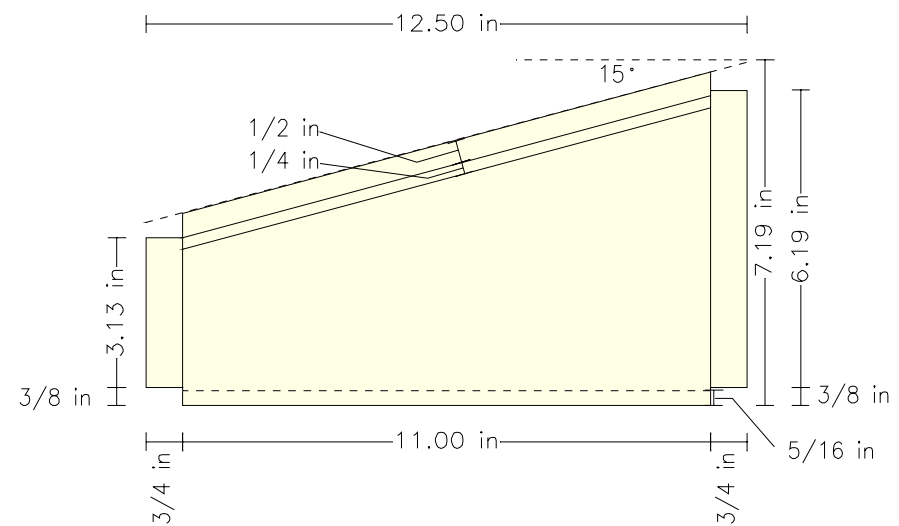


Rear View

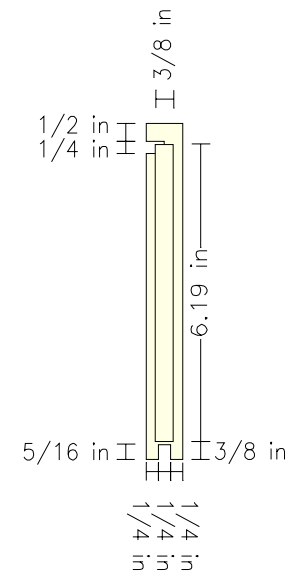


## Left Upper Side Rail

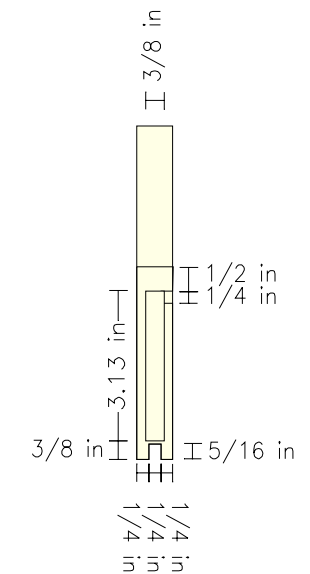
Side View



Front View

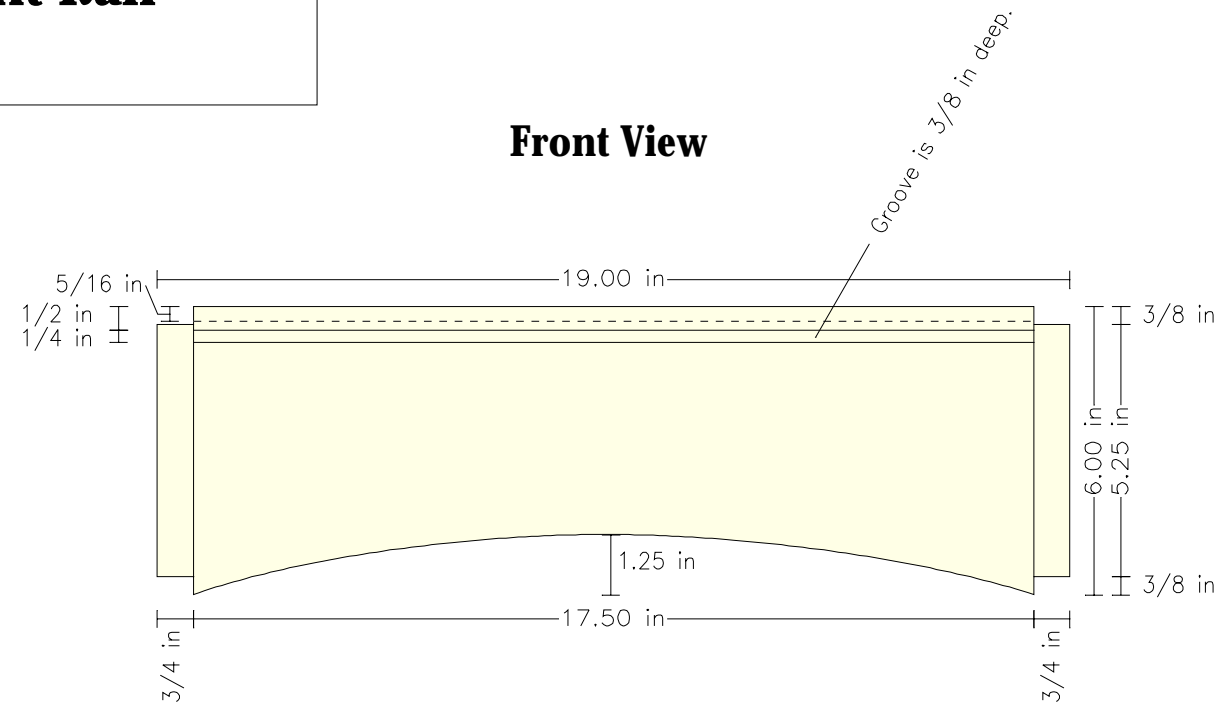


Rear View

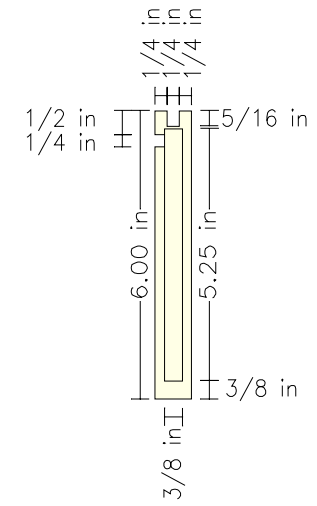


# Lower Front Rail

### Front View

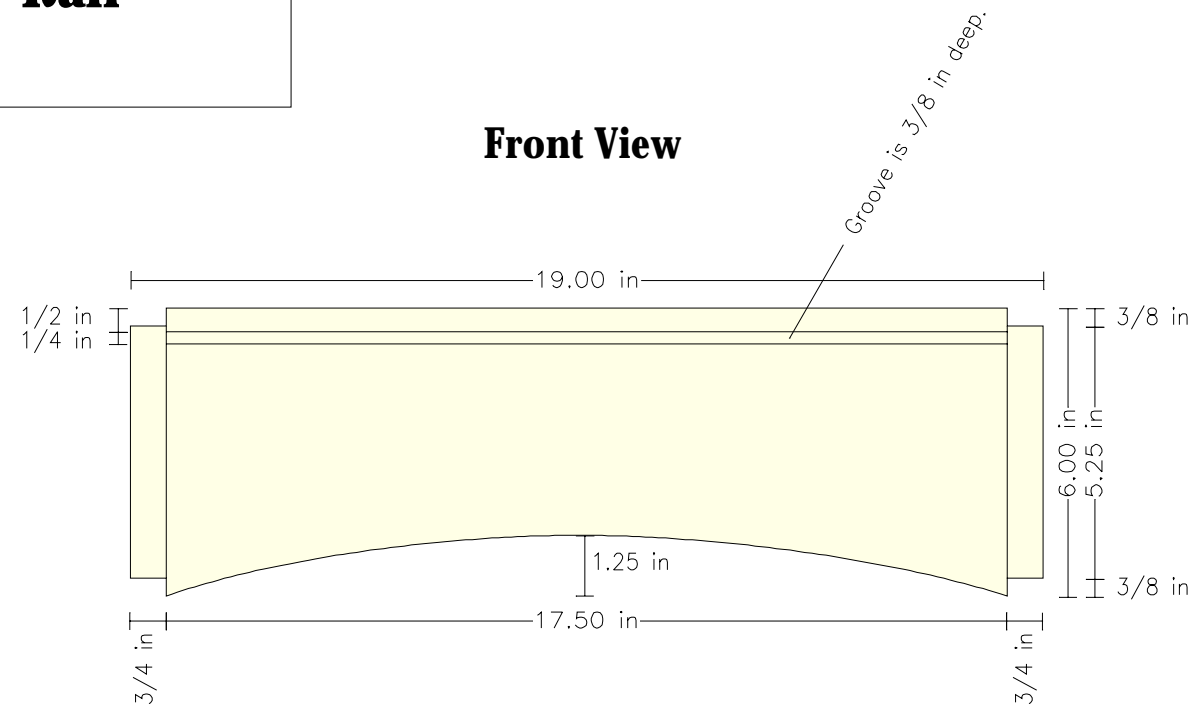


### Side View

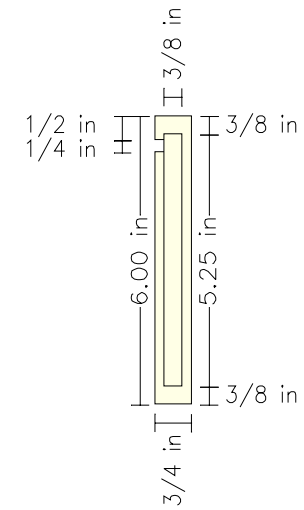


# Lower Rear Rail

### Front View

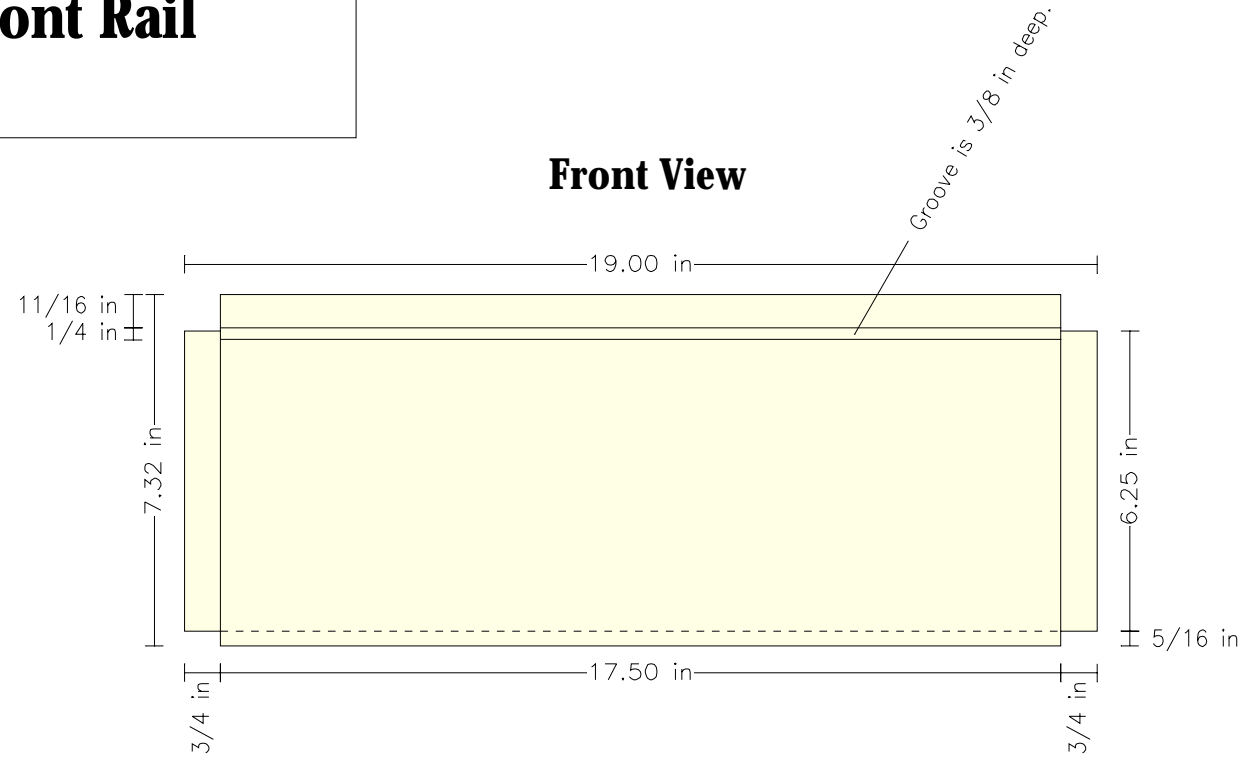


### Side View

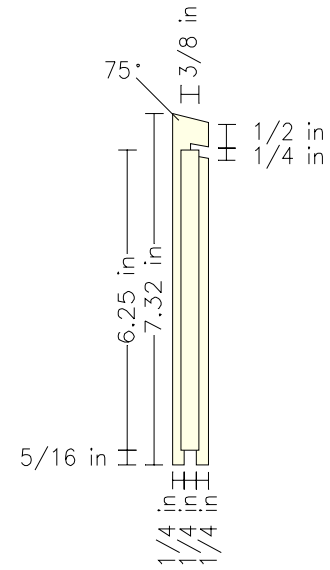


# Upper Front Rail

### Front View

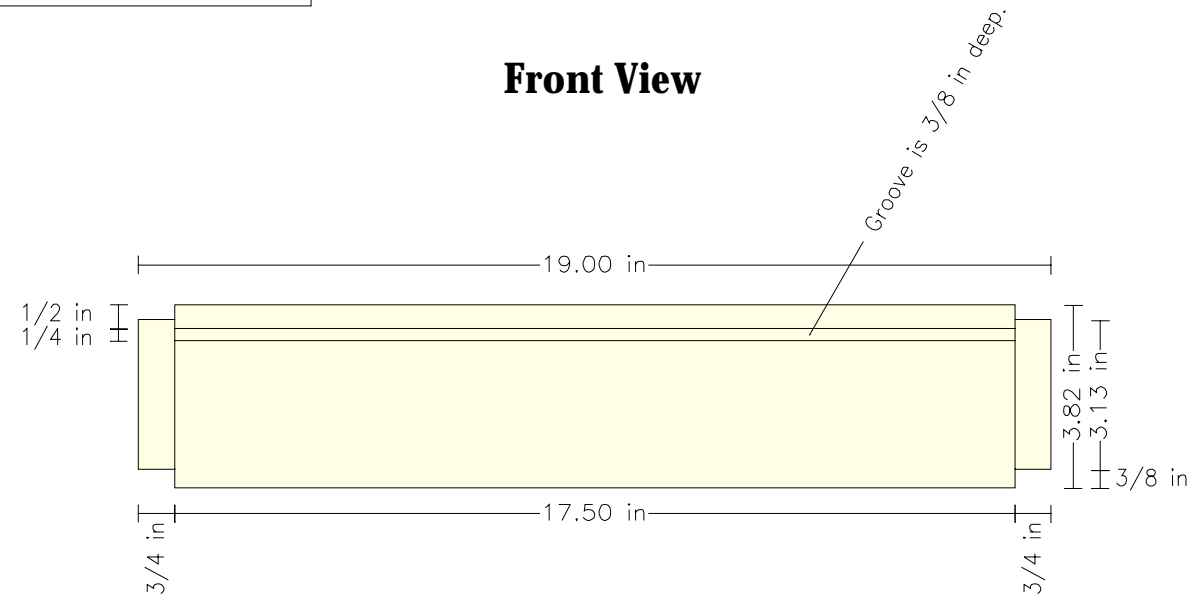


### Side View

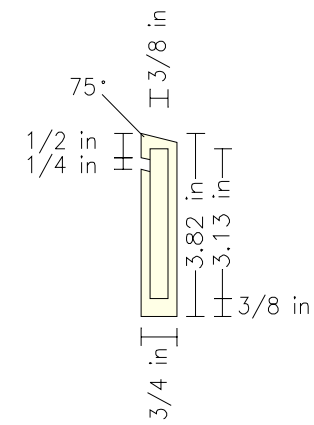


# Upper Rear Rail

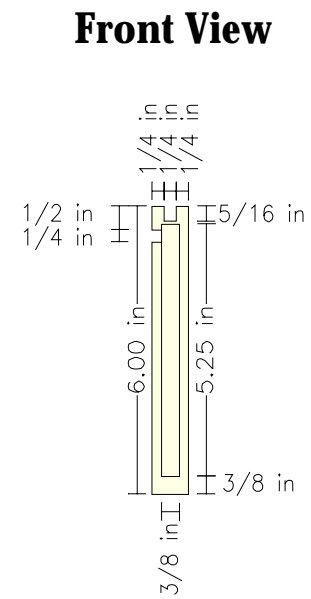
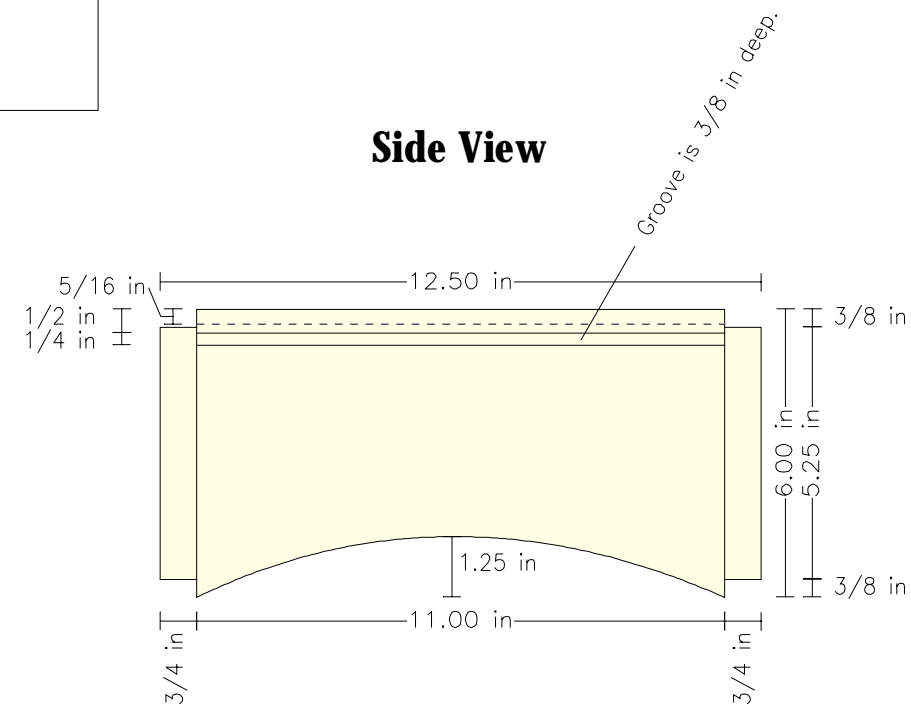
### Front View



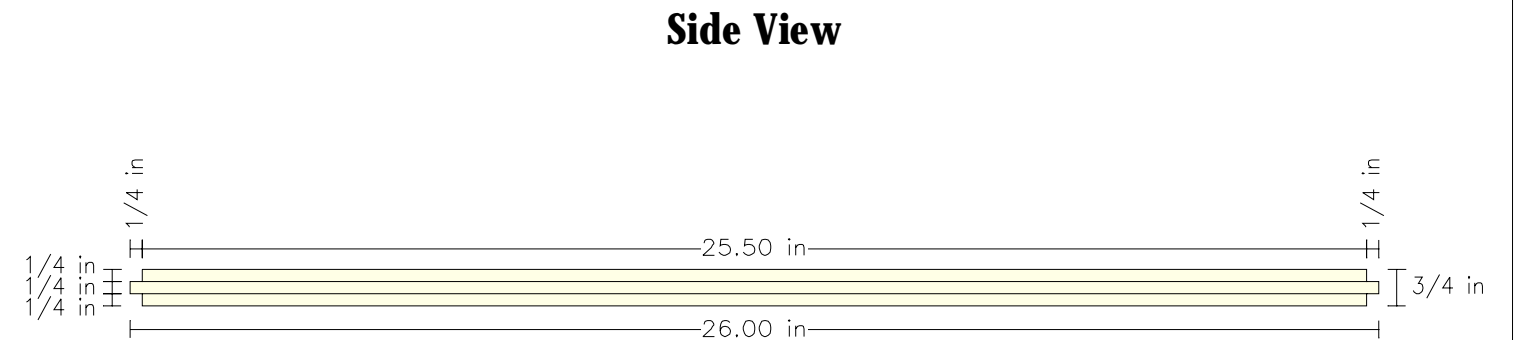
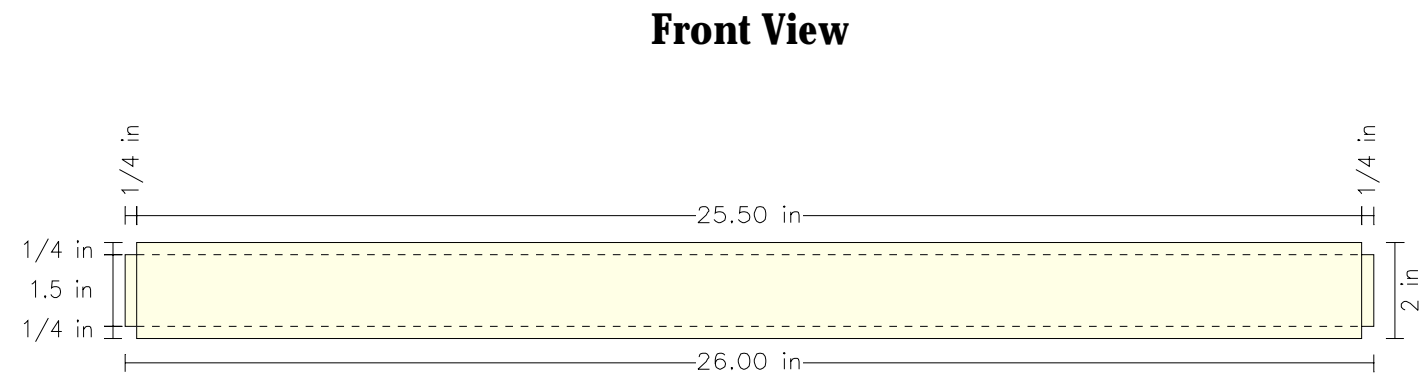
### Side View



**Lower Side Rail  
2 Each**

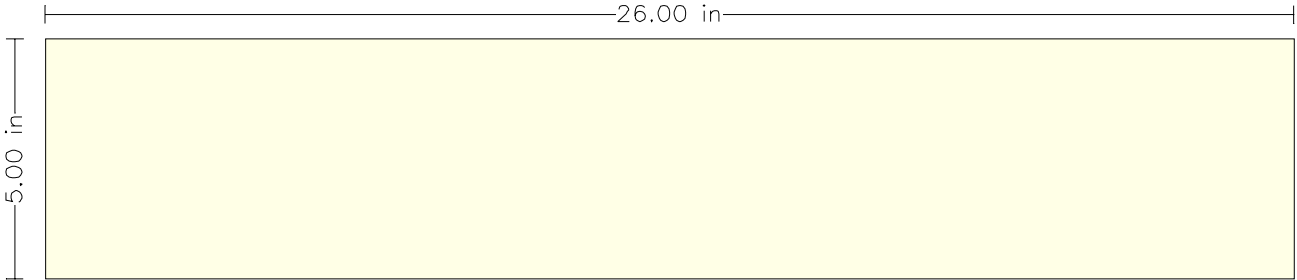


**Muntin  
4 Each**

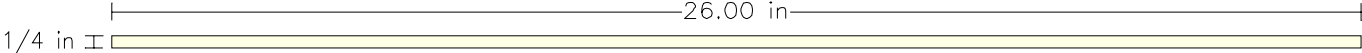


**Panel  
7 Each**

**Front View**

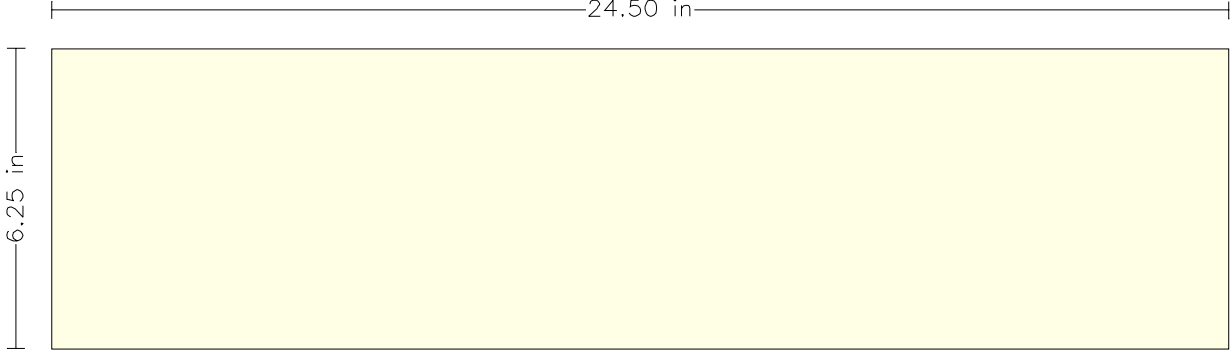


**Side View**

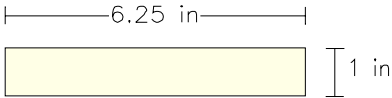


**Top Plank  
2 Each**

**Front View**



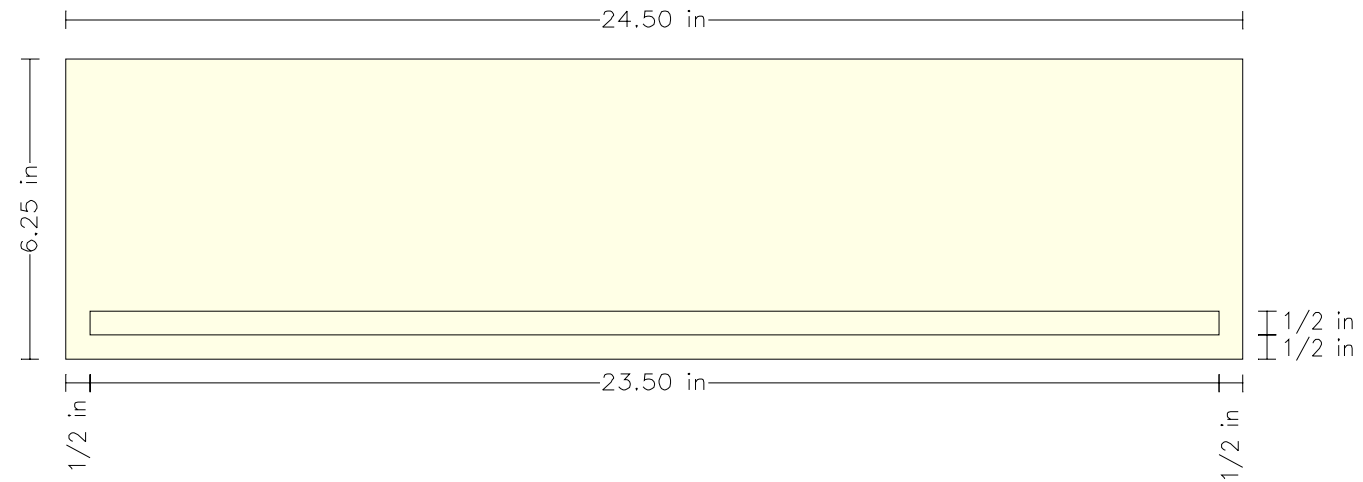
**Side View**



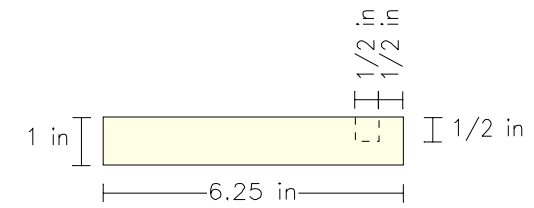
# Grooved Top Plank

(the ledge is inserted in the groove)

### Front View

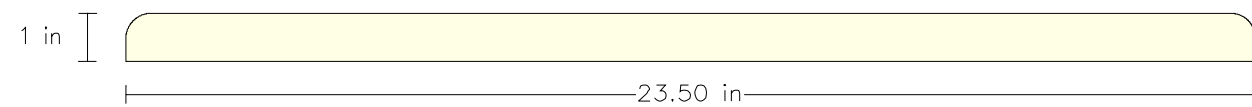


### Side View

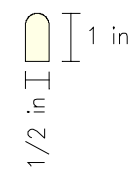


# Ledge

### Front View

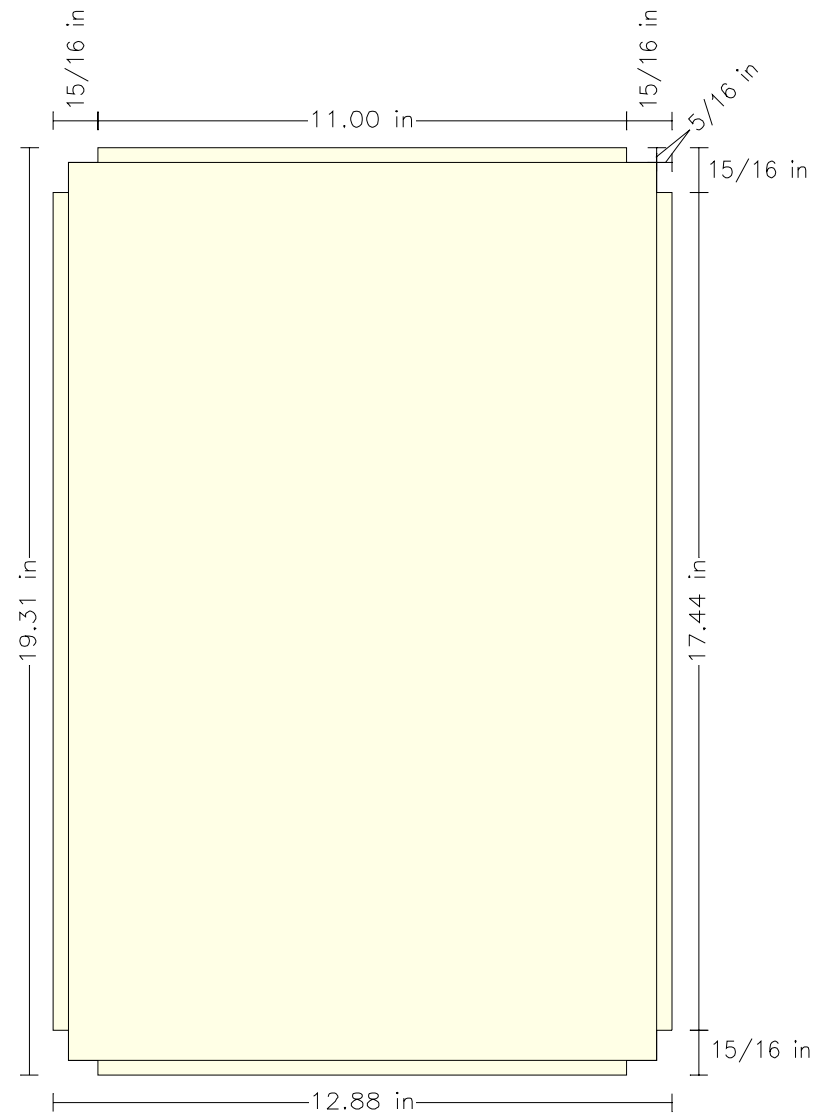


### Side View

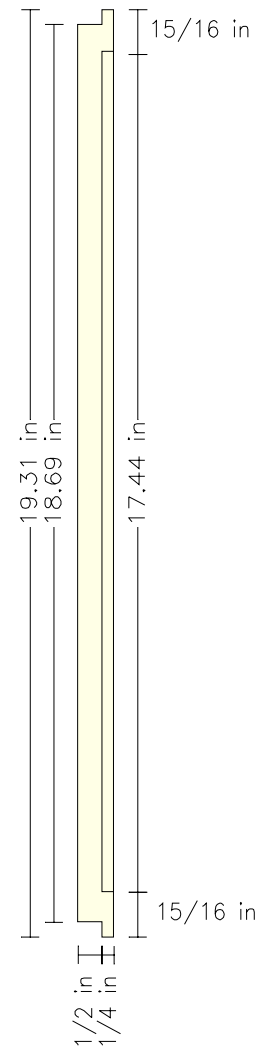


**Bottom Shelf**  
**(3/4 in cabinet grade plywood)**

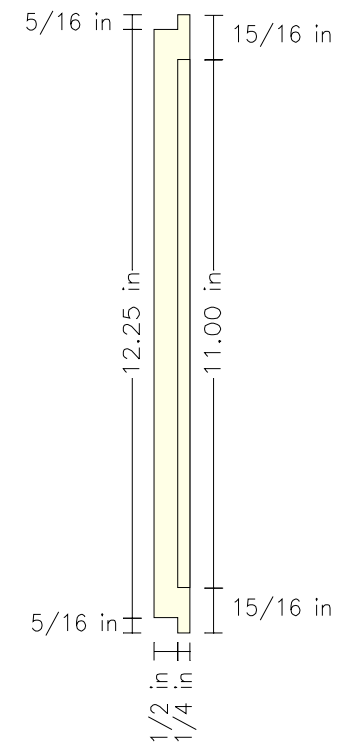
**Top View**



**Front View**

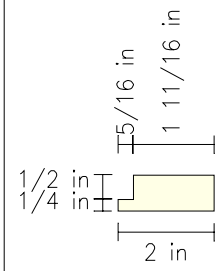


**Side View**

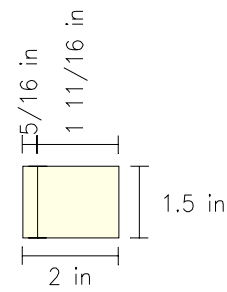


# Wooden Clips

Attaches Tabletop to Lectern Cabinet



Top View



Side View

# Exploded Diagram of Wooden Clips

