



Wow! I Made It.com

## **P**icnic Table and Benches

*Who doesn't need a sturdy picnic table? We use ours just about every weekend when friends come to visit. This one has a checkerboard painted on it—our young friends love to play “shell” checkers on it with shells they collected at the beach. The benches stand alone as super garden seating.*



## **Materials**

For the picnic table:

- 28 linear feet of 2 x 4 pine
- 27 linear feet of 1 x 6 pine

For one bench:

- 15 linear feet of 2 x 10 pine

## **Hardware**

- 8, 3-1/2" carriage bolts with matching washers and nuts
- 30, 2" wood screws
- 25, 2-1/2" wood screws

## **Special Tools and Techniques**

- Miter

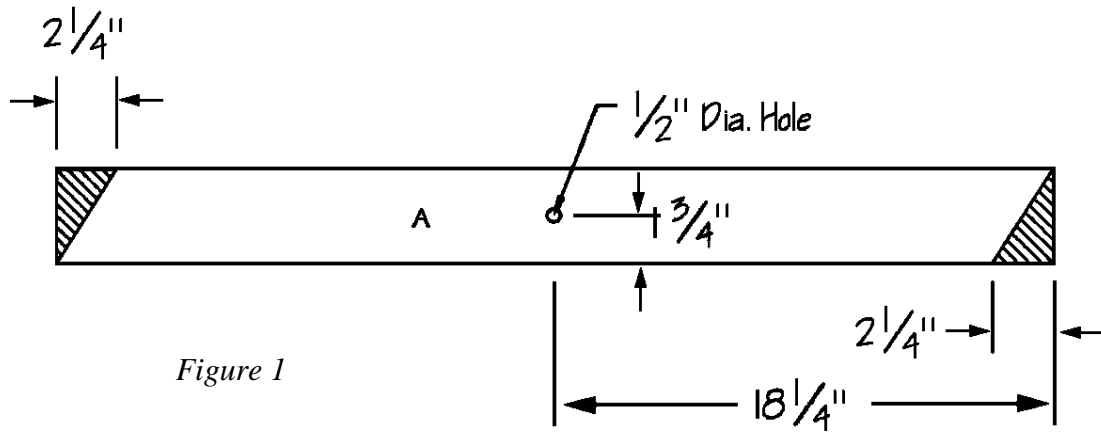
## **Cutting List**

| Code | Description | Qty. | Materials   | Dimensions   |
|------|-------------|------|-------------|--------------|
| A    | Leg         | 4    | 2 x 4 pine  | 37" long     |
| B    | Leg Support | 2    | 2 x 4 pine  | 17-3/4" long |
| C    | Top         | 5    | 1 x 6 pine  | 60" long     |
| D    | Top Support | 3    | 2 x 4 pine  | 27-1/2" long |
| E    | Brace       | 2    | 2 x 4 pine  | 25" long     |
| F    | Bench Leg   | 2    | 2 x 10 pine | 16" long     |
| G    | Bench Top   | 1    | 2 x 10 pine | 60" long     |
| H    | Bench Brace | 2    | 2 x 10 pine | 7" long      |

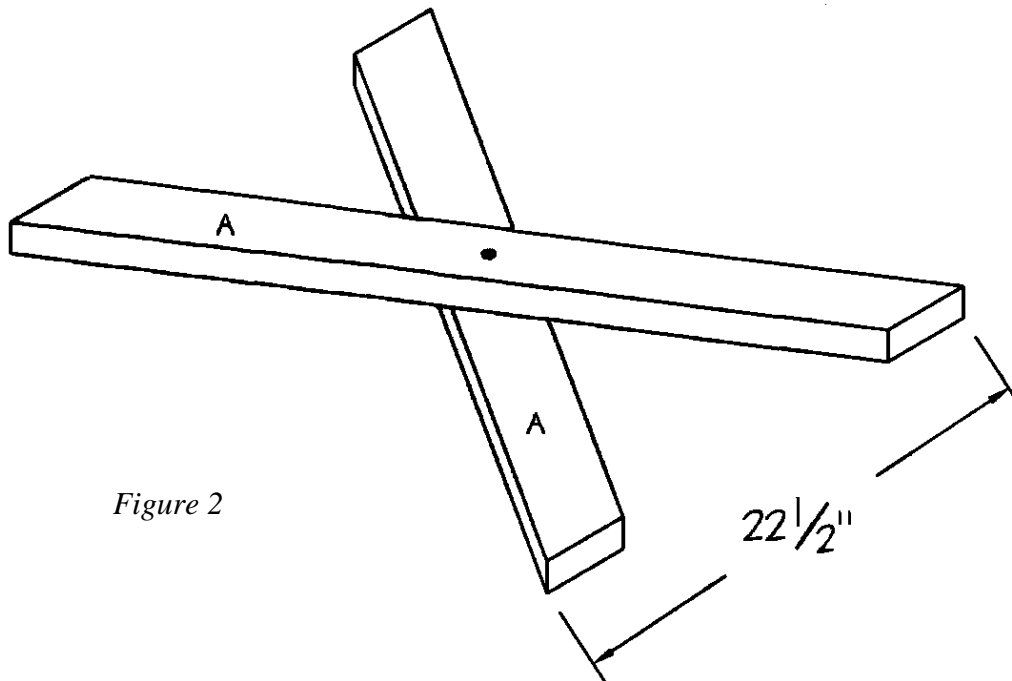
## **Making the Legs**

1. Cut four Legs (A) from 2 x 4 pine, each measuring 37 inches long.
2. Using *Figure 1* as a guide, trim the ends of each leg (A), and drill a 1/2-inch-diameter hole in the center.
3. Position two Legs (A), one on top of the other, to form an X, aligning the two center holes. Insert a 3-1/2" carriage bolt through the center holes and add a matching

washer and nut. Adjust the Legs (A) so that the upper and lower outer measurement of the Legs (A) is 22-1/2" as shown in *Figure 2*.



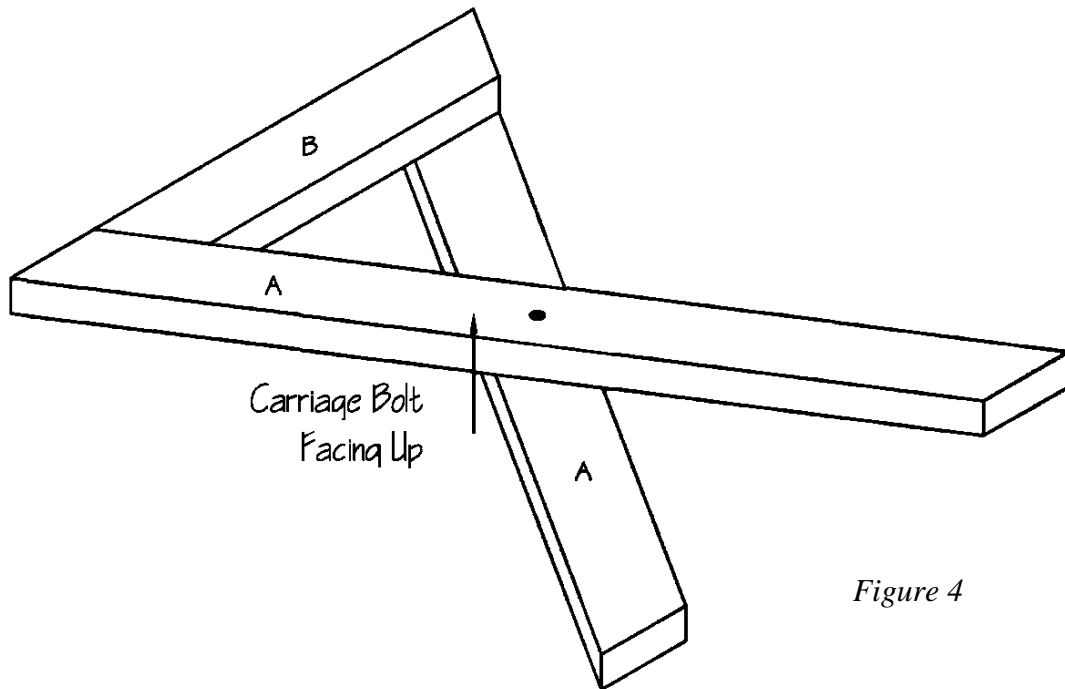
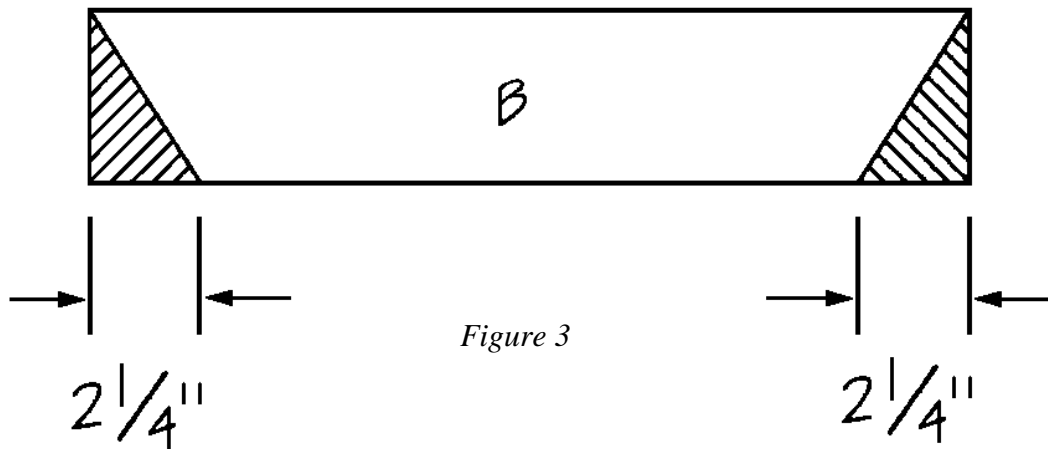
- Repeat Step 3 to form another X-shaped assembly with the remaining two Legs (A).



- Cut two Leg Supports (B) from 2 x 4 pine, each measuring 17-3/4 inches.
- Using *Figure 3* as a guide, trim both ends of each Leg Support (B).
- Position one X-shaped assembly flat on a work surface, with the carriage bolt head on the underside. Place one Leg Support (B) flush with the top ends of the X-

shaped assembly, as shown in *Figure 4*. Note that the Leg support (B) overlaps the lower Leg (A), and butts against the upper Leg (A).

- Repeat Step 7 to attach the remaining Leg Support (B) to the remaining X-shaped assembly.



### ***Making the Top***

- Cut five Tops (C) from 1 x 6 pine, each measuring 60 inches.

2. Cut three Top Supports (D) from 2 x 4 pine, each measuring 27-1/2 inches.
3. Using *Figure 3* as a guide, trim the corners on each of the three Top Supports (D).
4. Position three Top Supports (D) on a level surface (trimmed edges down), parallel to each other and 22-1/4" apart. Place the five Tops (C) over the three Top Supports (D), as shown in *Figure 5*. Make certain that the assembly is square. Screw through the Tops (C) into each of the three Top Supports (D), using two 2-inch wood screws on each joint.

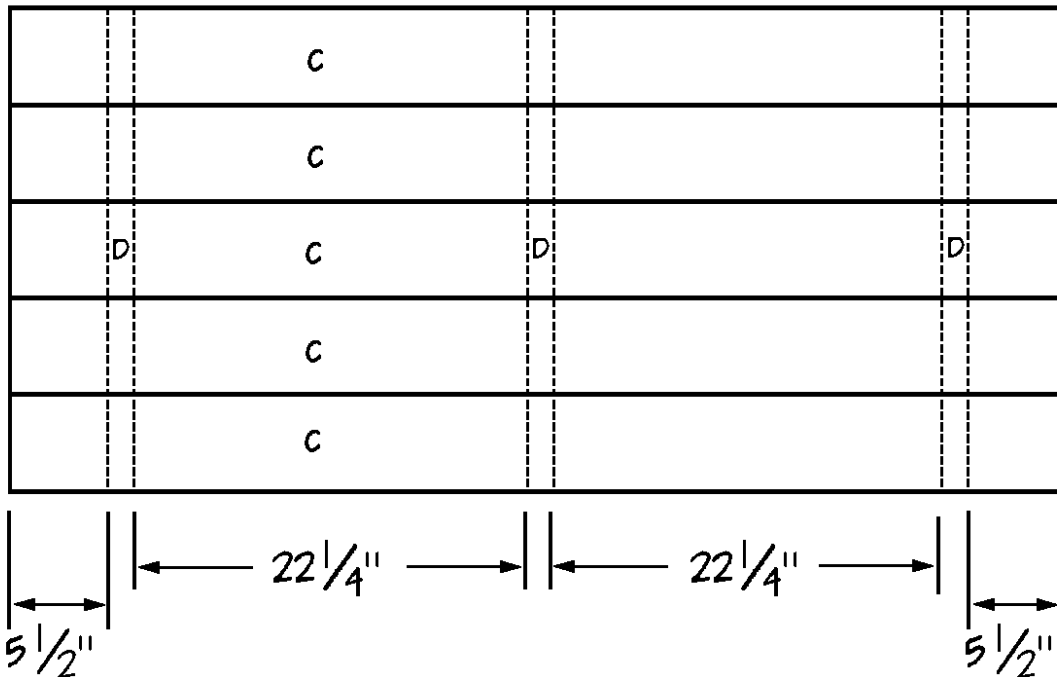


Figure 5

### **Final Table Assembly**

1. Turn the Top assembly (Tops [C] and Top Supports [D]) upside down on a level surface. Position one X-shaped assembly so that the Leg Support (B) is flush against the inner surface of the Top Support (D), as shown in *Figure 6*. Apply glue to the meeting surfaces, and screw through the Top Support (D) into the Leg Support (B), using two 2-1/2-inch wood screws. This will hold the assembly together temporarily.
2. Drill two 1/4-inch-diameter holes through the Leg Support (B) and the Top Support (D), using *Figure 7* as a guide for exact placement.
3. Drill one 1/4-inch-diameter hole through the Leg (A) and the Top Support (D). Again, refer to *Figure 7* for exact placement.

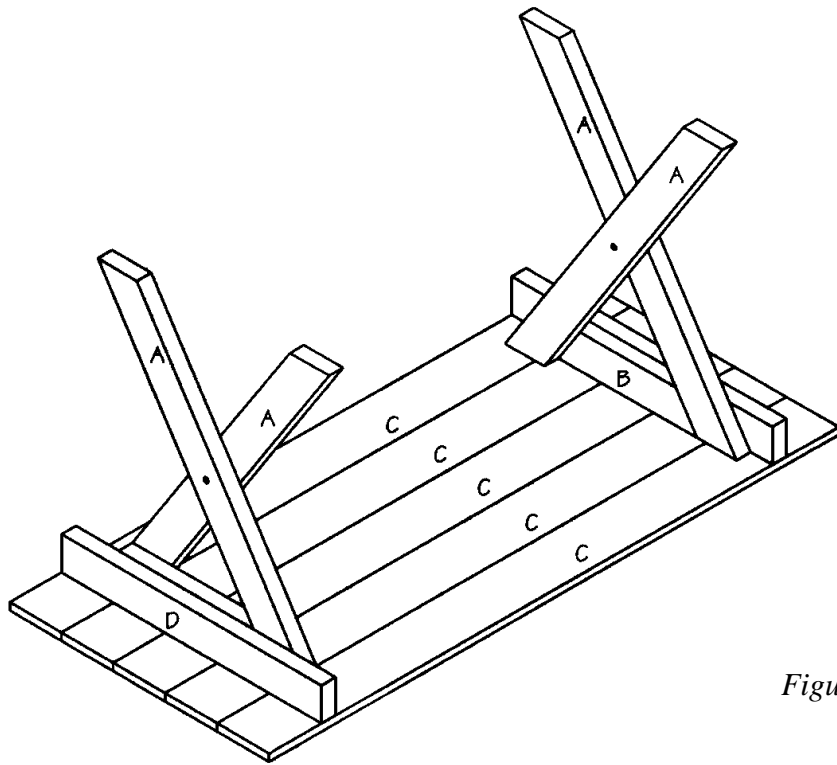


Figure 6

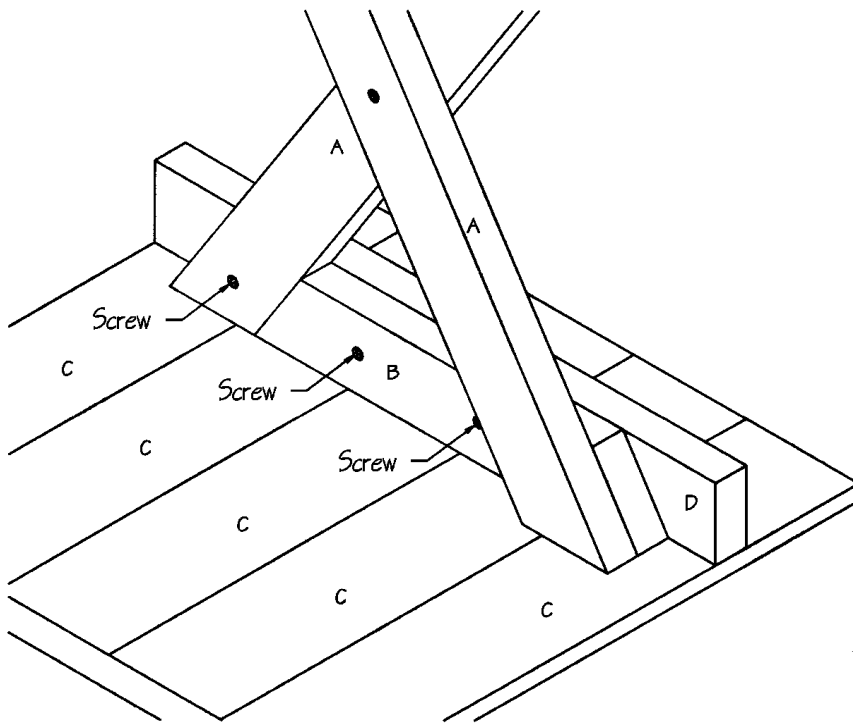
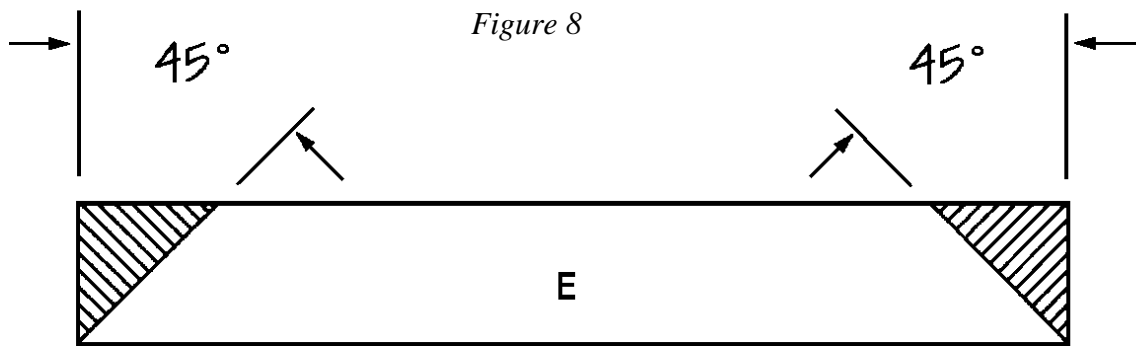


Figure 7

4. Insert a 3-1/2" carriage bolt through each of the three drilled holes, add the nut, and tighten.
5. Repeat Steps 1 through 4 to attach the remaining X-shaped assembly and Leg Support (A) to the top assembly.
6. Cut two Braces (E) from 2 x 4 pine, each measuring 25 inches.
7. Miter the ends of each Brace (E) at opposing 45-degree angles, as shown in *Figure 8*.



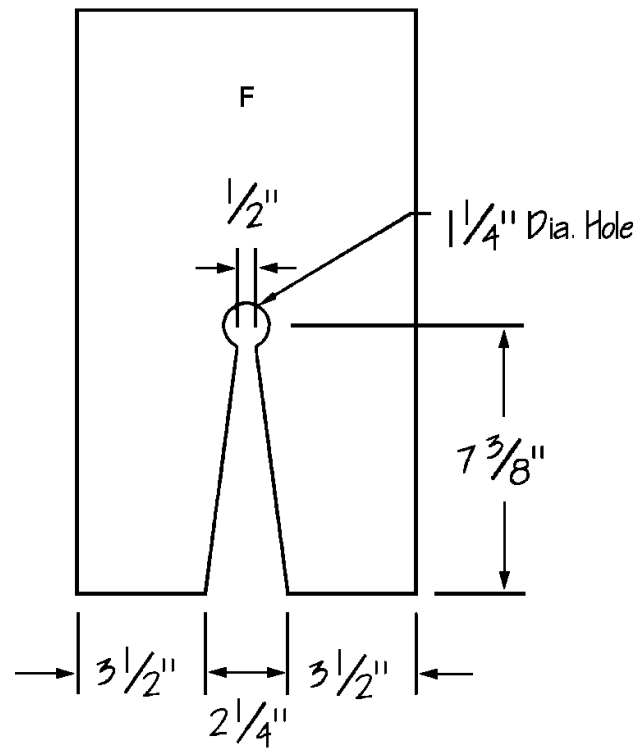
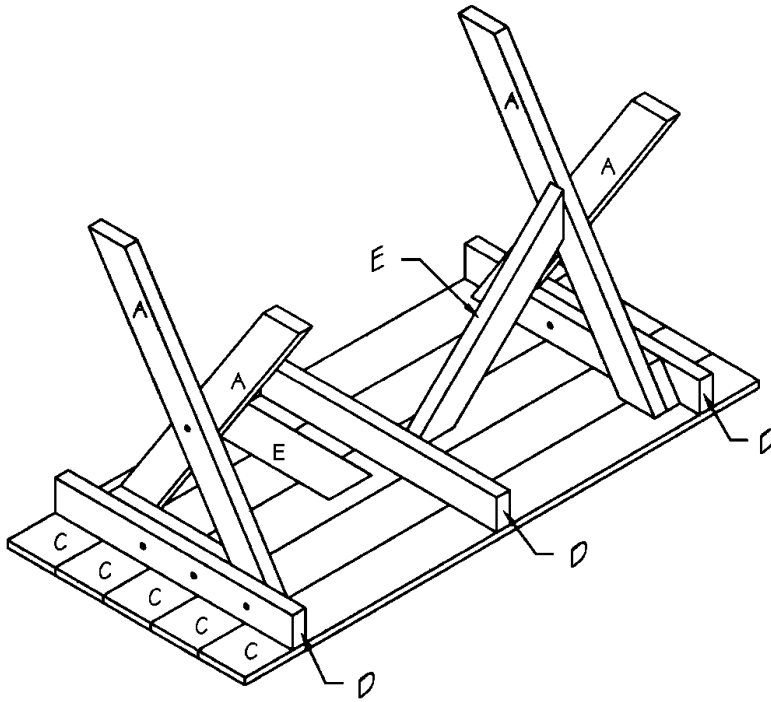
8. Position the brace (short edge down) so that one mitered end is against the center of the X-shaped assembly and the opposite end is against the Tops (C) in *Figure 9*. Screw at an angle through the Brace (E) into the X-shaped assembly, using one 2-1/2" wood screw.
9. Repeat Step 8 to attach the remaining Brace (E) to the opposite side of the table.
10. Carefully turn the entire assembly right side up, and screw through the center Top (C) into the unattached end of the Brace (E), using two 2-1/2" wood screws.
11. Repeat Step 10 to secure the remaining unattached Brace (E) to the center Top (C) on the opposite side of the table.

### ***Making the Bench***

1. Cut two Bench Legs (A) from 2 x 10 pine, each measuring 16 inches.
2. Referring to the placement measurements given in *Figure 10*, drill a 1-1/4-inch-diameter hole centered horizontally and 7-3/8 inches from one end of a Bench leg (F).

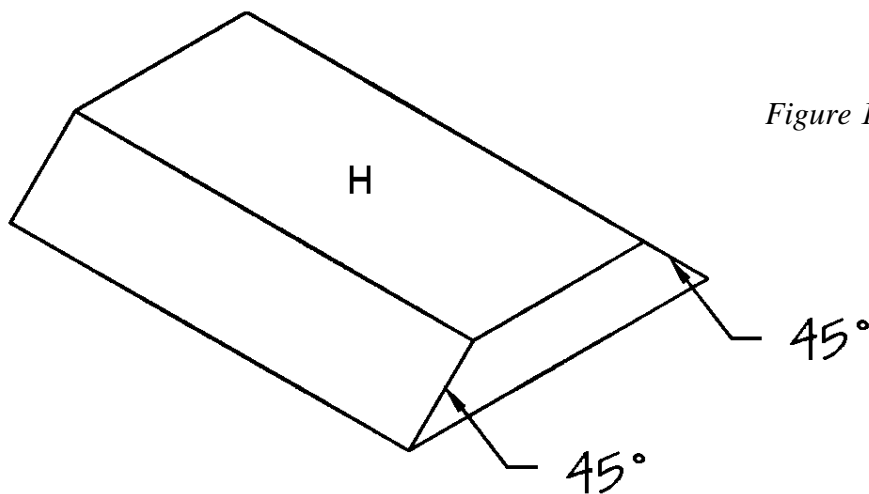
- Again referring to *Figure 10* cut away the center portion of the bench Leg (F) to form an inverted V shape.

*Figure 9*



*Figure 10*

4. Repeat Steps 2 and 3 to cut out the remaining Bench Leg (F).
5. Cut one Bench Top (G) from 2 x 10 pine, measuring 60 inches.
6. Position the two Bench Legs (F) on edge with the cutout against the work surface, parallel to each other and 45 inches apart. Place the bench top (G) over the Bench Legs (F). The Bench Top (G) should overhang each of the Bench Legs (F) by 6 inches. Screw through the Bench Top (G) into each of the Bench Legs (F), using three 2-1/2-inch wood screws.
7. Cut two Bench Braces (H) from 2 x 10 pine, each measuring 7 inches.
8. Miter the ends of the Bench Braces (H) at opposing 45-degree angles, as shown in *Figure 11*.



*Figure 11*

9. Turn the bench assembly upside down. Fit the mitered Bench Braces (H) between the Bench Legs (F) and Bench Top (G), as shown in *Figure 12*. Apply glue to the meeting surfaces, and screw at an angle through the Bench Braces (H) into both the Bench Top (G) and Bench Legs (F), using three 2-1/2" wood screws on each joint.
10. If you want two benches, you will need to repeat the entire procedure.

## ***Finishing***

1. Sand the entire picnic table and bench.
2. Painting a checkerboard pattern on the top of the picnic table will double its use. A checkerboard is easy to do—we simply drew eight rows of eight 2-inch squares in the center of the table and painted the squares alternating colors. We left the remainder of the table its natural color.

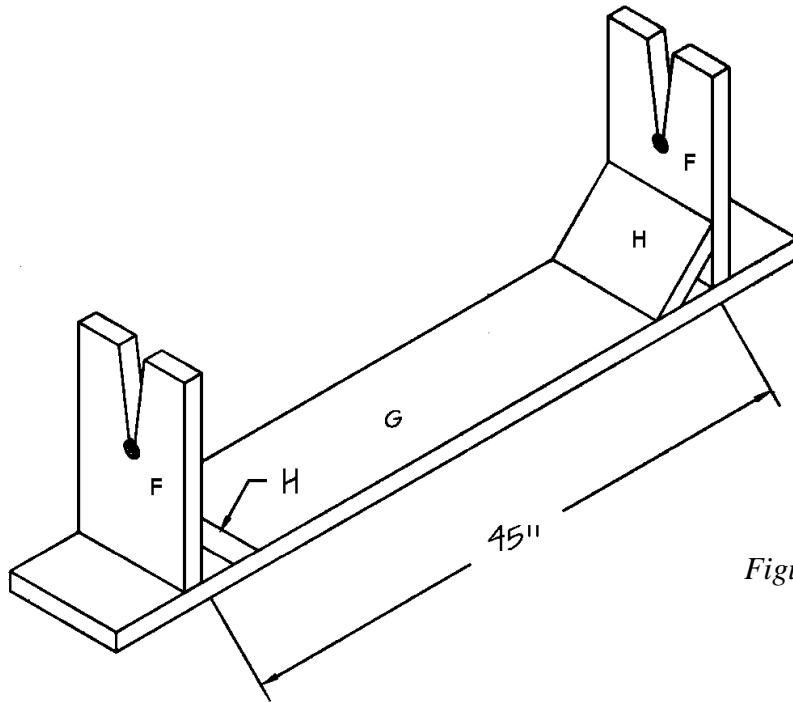


Figure 12



**Enjoy other terrific indoor and outdoor projects from  
!**



When your friends and neighbors see your terrific backyard, they'll want to know where you got such customized outdoor furniture! Even if they're not experienced woodworkers, they'll find an easy project to get them hooked at .