

145

CHILD'S CRADLE

You'll love this old-fashioned cradle as much as your ancestors did. The lightly arched canopy protects a baby's sensitive eyes from harsh light. The convenient treadle bars allow you to rock the cradle with one foot while reading or knitting. In short, it's the perfect way to rock your child to sleep.

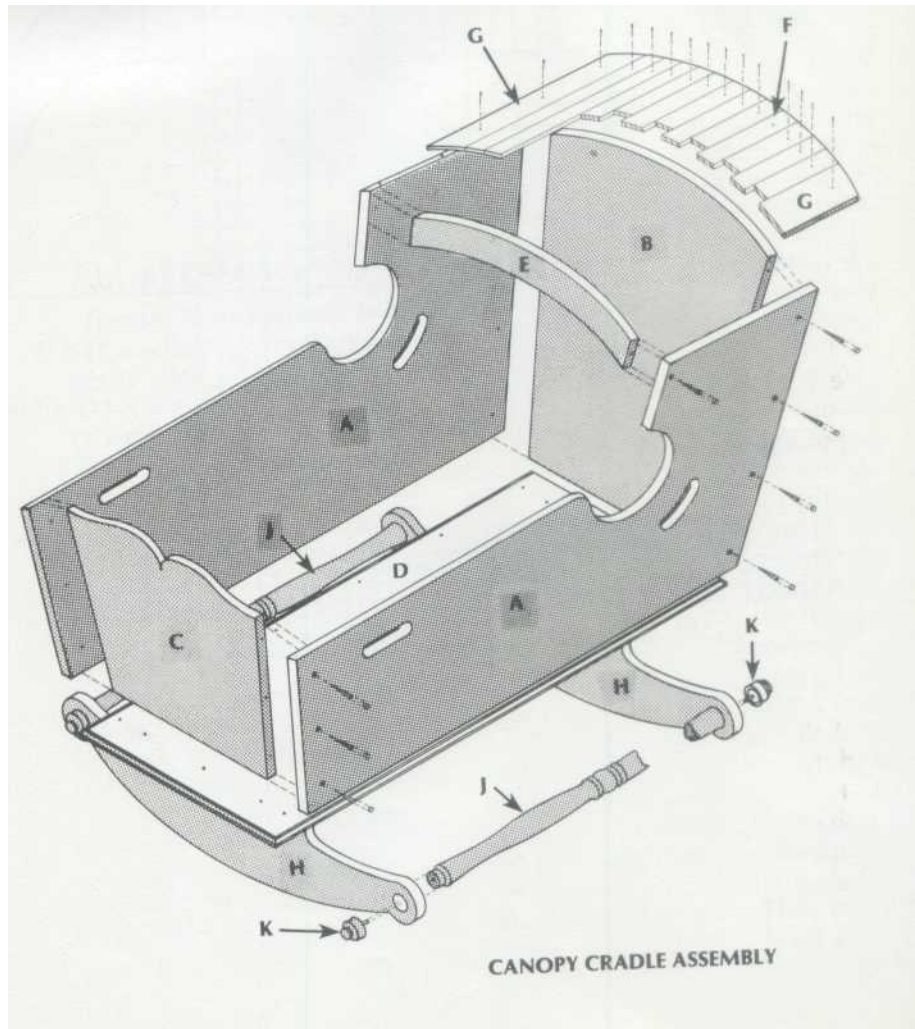
1. Use the patterns provided to cut the shapes of the sides (A), headboard (B), and footboard (C) to the dimensions provided. Cut the angle ends and bevel edges as shown.
2. Cut the handles in the sides, and shape the top edge of each piece as shown.
3. Shape the edge of the base (D) to the profile of your choice; the pattern shown is a radius bead. To minimize splintering, shape the ends of the base first, then do the sides.
4. Sand all of the pieces smooth. A drum sander will be necessary to sand the curve in the sides and the pattern cut in the footboard.
5. Assemble the sides to the headboard and footboard with glue and counterbored #8 x 1-1/2" flathead wood screws. Transfer the pattern to the canopy support (E) stock.

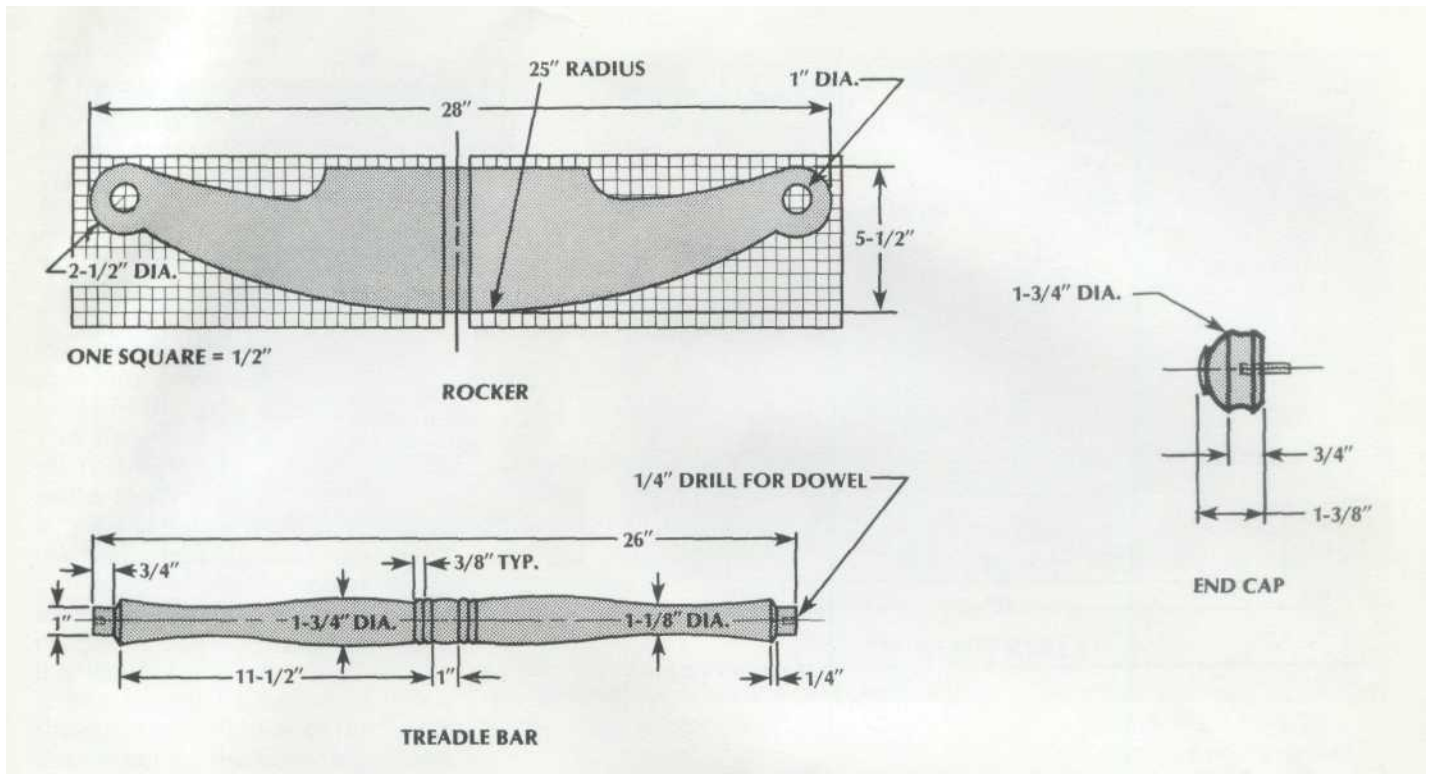
Hold it up to the assembled sides to mark the angles on the ends. Span the canopy support between the sides and secure it in place with glue and screws.

6. Attach the base to the bottom edge of the sides, headboard, and footboard with glue and counterbored screws from underneath.
7. Cut the canopy pieces (F, G) to size. While cutting to width, rip a 2° bevel on both edges of the center pieces and on the inner edge of each edge piece so the pieces form an arc as shown.

8. Starting in the center and working toward the ends, attach the canopy pieces with brads. When finished, sand the top for a smooth, rounded contour.

9. Cut two pieces of stock to 1-3/4"





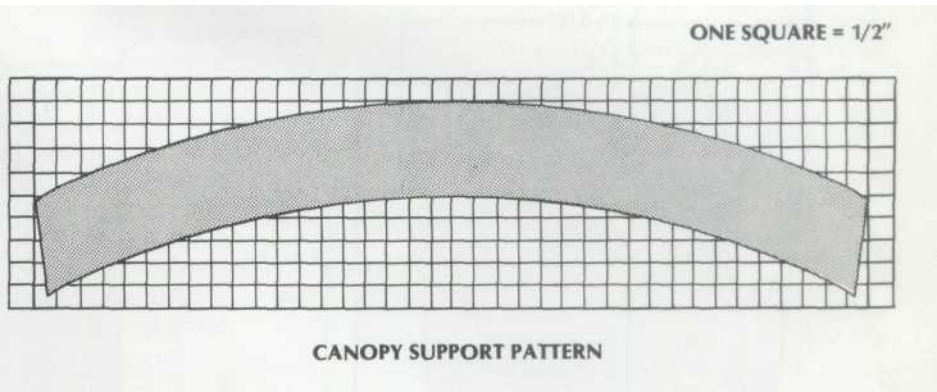
bar (J) and two end caps (K) from each piece. Cut off the end caps and trim each piece to finished length.
 10. Cut two pieces of stock to the listed dimensions for the rockers (H), then shape the pieces according to the pattern provided. Drill 1"-diameter holes in the rockers for the treadle bars.

11. Drill a 1/4"-diameter dowel hole 1/2" deep in each end of the treadle bars and in the adjoining end of each end cap.

12. Insert the ends of the treadle bars through the holes in the rockers. Attach the end caps with 1/4"-diameter x 1" dowels and glue. Then attach the rockers to the bottom of the base with glue and counterbored wood screws.

13. Cover all counterbored screws with 3/8"-diameter dowel plugs. Sand the plugs flush, then finish sand the cradle.

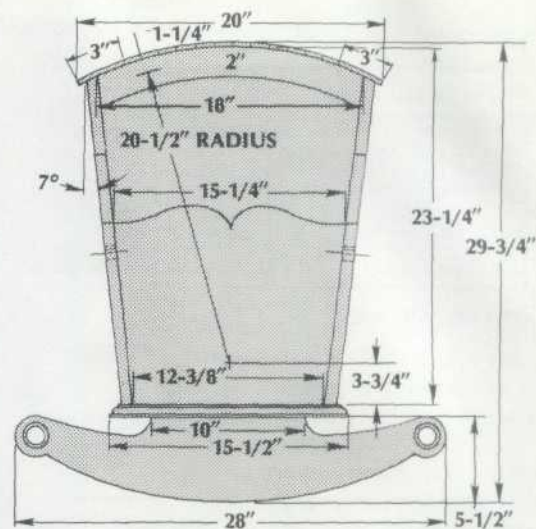
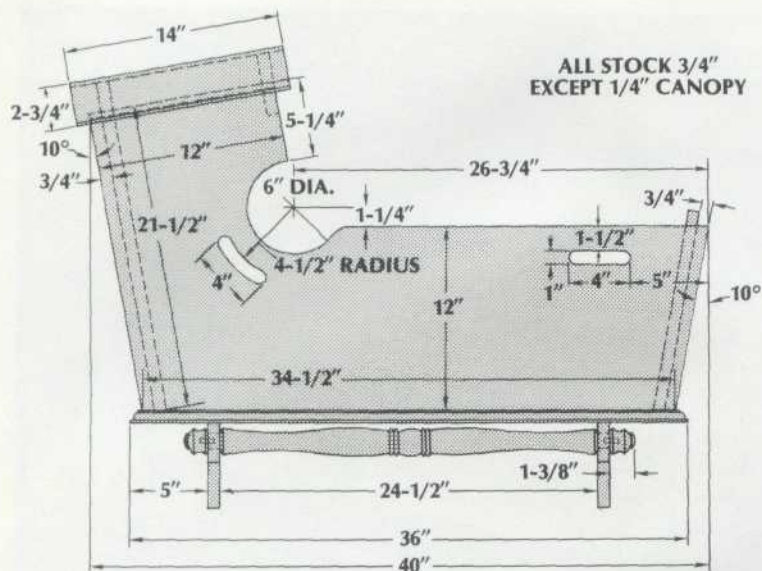
14. Finish as desired; a nontoxic finish is best. Make sure the finish is applied well in advance of the baby's arrival in order for the finish to dry and lose its odor. A polyurethane finish is best.



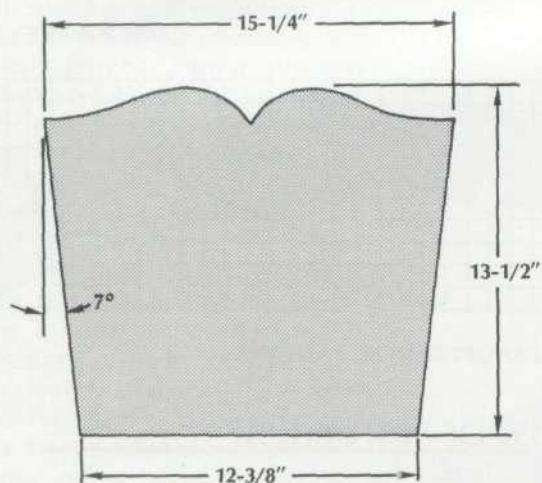
LIST OF MATERIALS

(finished dimensions in inches)

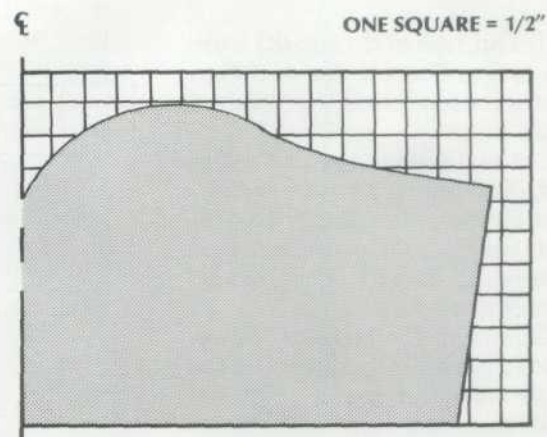
A	Sides (2)	3/4 × 21-1/2 × 40
B	Headboard	3/4 × 23-1/4 × 19
C	Footboard	3/4 × 13-1/2 × 15-1/4
D	Base	3/4 × 15-1/2 × 36
E	Canopy support	3/4 × 4 × 19
F	Canopy center pieces (12)	1/4 × 1-1/4 × 14
G	Canopy edge pieces (2)	1/4 × 3 × 14
H	Rockers (2)	3/4 × 5-1/2 × 28
J	Treadle bars (2)	1-3/4 dia. × 26 dowels
K	End caps (4)	1-3/4 dia. × 1-3/8
	Dowels	1/4 dia. × 1
	Dowel plugs	3/8 dia. × 1/4
	Flathead wood screws	#8 × 1-1/2
	Brads	#18 × 1
	Wood glue	



CANOPY CRADLE



FOOTBOARD



TOP OF FOOTBOARD PATTERN