

Paper Towel Stand

Some folks like their paper towels to hang horizontally. Other people prefer this vertical rack's design. We like both—which is why we've included both designs in this book. The small dowel that you see on this standing rack acts like an extra hand when you want to tear off a sheet; to pull a paper towel neatly off the roll, just draw it across the dowel.



Materials List

White or red oak is recommended for this project.

- | | | |
|-----|------------------|-------------|
| (1) | 3/4" x 6" x 6" | Base plate |
| (1) | 3/8" x 8-1/8" | Birch dowel |
| (1) | 1-1/4" x 13-1/4" | Birch dowel |

Suggested Tools

3/8" drill
3/8" drill bit
1-1/4" spade bit
No. 8 pilot bit and countersink with stop collar
Router
3/8" cove bit
Jigsaw
Compass
36" straightedge
No. 2 Phillips screwdriver

Hardware & Supplies

Yellow wood glue
No. 8 x 1-1/4" flathead wood screw
Spray lacquer

Construction Procedure

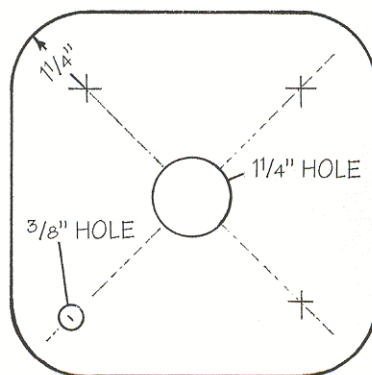
1. Locate the center of the 6" x 6" base plate by striking lines diagonally across its corners and across the length and width of the board.
2. Using the diagonal lines as centers for your compass, strike a 1-1/4" radius at each of the base plate's corners (see Base Plate Detail).
3. With a jigsaw, cut at the radius marks.
4. Using the spade bit, drill a 1-1/4" hole, 3/8" deep, in the center of the base plate.
5. Measure in 1" from one of the rounded corners, and mark a point at the diagonal line.
6. Using the 3/8" drill bit, bore a hole at this point to a depth of 3/8".

7. Rout the base plate's upper face edge, using a 3/8" cove bit in the router.

8. Sand the base and the two dowels.

9. Glue the 3/8" dowel into the small socket. Fasten the 1-1/4" dowel into its socket with a No. 8 x 1-1/4" flathead screw, inserted through the bottom of the base plate. Set the pilot bit's stop collar at 1-1/4".

10. Finish the project with several coats of spray lacquer.



BASE PLATE DETAIL

