



Wow! I Made It.com

Faux Poster Bed

Although it looks as if it came from an expensive furniture store, it's really just a plywood headboard and footboard between four posts connected to an existing metal bed frame. Add ordinary curtain rods and holders, and voila—a charming four-poster bed!



Materials List

- 115 linear feet of 1 x 6 pine
- 6 linear feet of 1 x 8 pine
- 7 linear feet of 2 x 10 pine
- 2 4' x 8' sheets of ¾ plywood
- 14 linear feet of 2-1/4"-wide hand rail
- 22 linear feet of 3-inch-wide beaded molding
- 8 pre-made 3-3/4" decorative squares
- 7 linear feet of 1 x 4 pine
- 6 linear feet of 2 x 2 pine
- 2 closet rod holders
- 6 curtain rod holders
- 4 8-foot long beaded curtain rods
- 6 curtain rod finials

Hardware

- 75, 1"(2d) finishing nails
- 60, 1-1/4"(3d) finishing nails
- 300, 1-1/2"(4d) finishing nails
- 100, 2"(6d) finishing nails
- 20, 1-5/8" wood screws
- 20, 2-1/2" wood screws

Cutting List

Code	Description	Qty.	Material	Dimensions
A	Poster Side	16	1 x 6 pine	84"long
B	Small Base	8	1 x 8 pine	7-1/4"long
C	Large Base	8	2 x 10 pine	9-1/4"long
D	Headboard	1	¾ plywood	79"x 34"
E	Top Rail	2	2-1/4"-wide handrail	79"long
F	Long Molding	2	3"-wide beaded molding	57"long
G	Short Molding	2	3"-wide beaded molding	5"long
H	Decorative Square	8	pre-made pine decorative squares	3-3/4"square
I	Footboard	1	¾ plywood	79"x 28"

J	Long Footboard	2	3"-wide beaded molding	57"long
K	Short Footboard	2	3"-wide beaded molding	9-1/2"long
L	Base Rail	1	1 x 4 pine	79"long
M	Supports	4	2 x 2 pine	15"long

Making the Poster Columns

1. Cut 16 Poster Sides (A) from 1 x 6 pine, each measuring 84 inches.
2. Assemble four Poster Sides (A), overlapping each piece in rotation as shown in *Figure 1*. With the four Sides (A) in position the leg measures 6-1/4" wide on all sides. Apply glue to the meeting surfaces and nail all four sides (A) along their entire length. Use 1-1/2" finishing nails, spacing them about 6 inches apart.

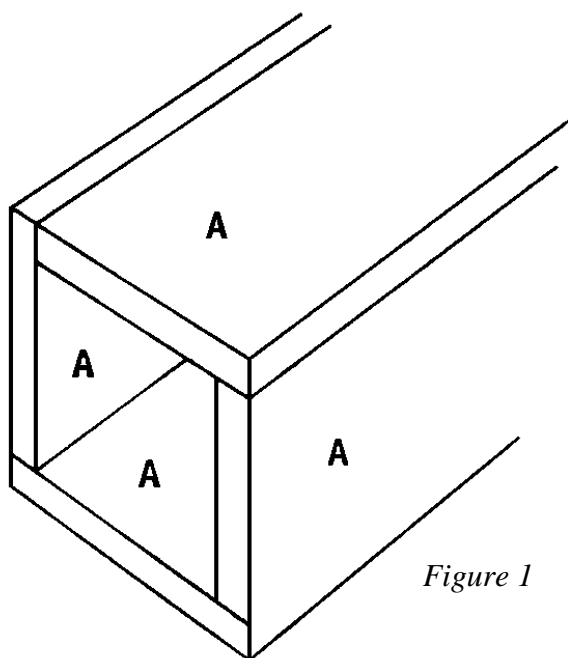


Figure 1

3. Repeat Step 2 three more times to create the other three poster columns.
4. Cut eight Small Bases (B) from 1 x 8 pine, each measuring 7-1/4 inches.
5. Cut eight Large Bases (C) from 2 x 10 pine, each measuring 9-1/4 inches long
6. Center one Small Base (B) over one end of an assembled column, as shown in *Figure 2*. Apply glue to the meeting surfaces, and nail through the Small Base (B) into the assembled column using eight 1-1/2" finishing nails.
7. Repeat Step 6 to attach a second Small Base (B) to the opposite end of the same column.
8. Repeat Steps 6 and 7 three more times to attach the remaining seven Small Bases (B) on both ends of each of the remaining columns.
9. Place one Large Base (C) on a flat level surface (preferably the floor, due of the height of the columns). Center one assembled column with the Small Bases (B) attached, over the Large Base (C) as shown on *Figure 3*. Apply glue to the meeting surfaces, and nail through the edge of the Small Base (B) into the Large Base (C) using eight 2" finishing nails.

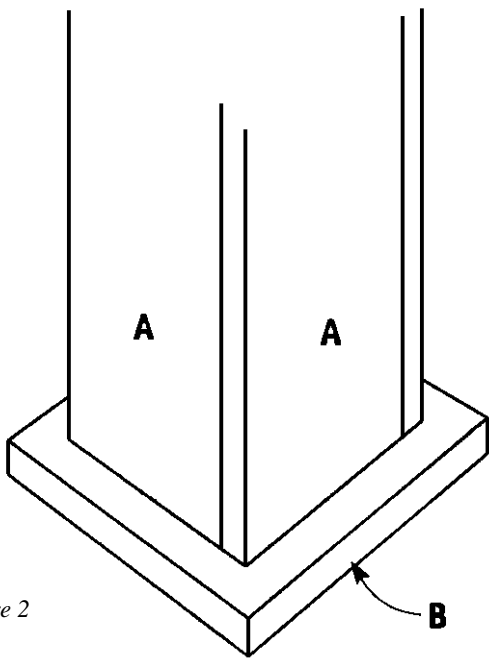


Figure 2

10. Turn the same column upside-down and repeat Step 9 to attach a second Large Base (C).
11. Repeat Steps 9 and 10 three more times to attach the remaining Large Bases (C) to the ends of the remaining columns.

Making the Headboard

1. Cut one Headboard (D) from $\frac{3}{4}$ " plywood measuring 79 x 34 inches.
2. Cut two Top Rails (E) from 2-1/4" handrail, each measuring 79 inches.
3. Center one Top Rail (E) over the one 79-inch-edge of the Headboard (D), as shown in Figure 4. Apply glue to the meeting surfaces, and nail through the Top Rail (E) into the edge of the Headboard (D) using 2" finishing nails spaced every 6 inches. Set the remaining Top Rail (E) aside. It will be used later on the Footboard.

4. Cut two Long Moldings (F) from 3-inch-wide beaded molding, each measuring 57 inches.

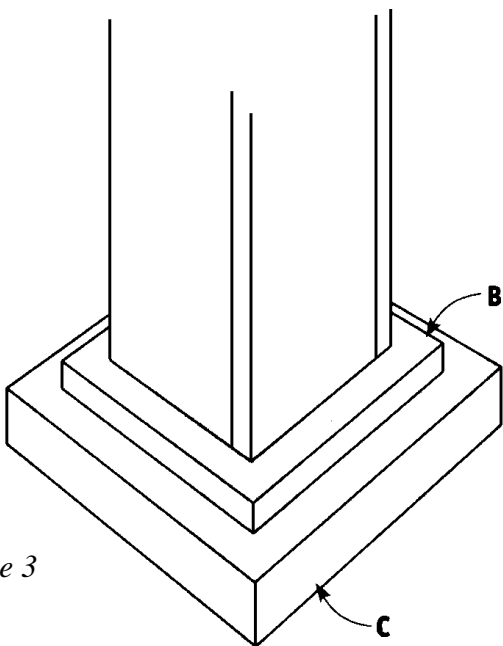


Figure 3

5. Cut two Short Molding (G) from 3-inch-wide beaded molding, each measuring 5 inches.
6. Referring to Figure 5, position the Long and Short Moldings (F and G) and four Decorative Squares (H) on the Headboard (D). Note that the 3-inch-wide moldings must be centered width-wise on the 3-3/4-inch-wide decorative squares. Nail through each corner of the four Decorative Squares (H) using 1-1/4" finishing nails. Nail through the molding using 1" finishing nails. Use two nails on each of the short Moldings (G), and eleven on each of the Long Moldings (F).

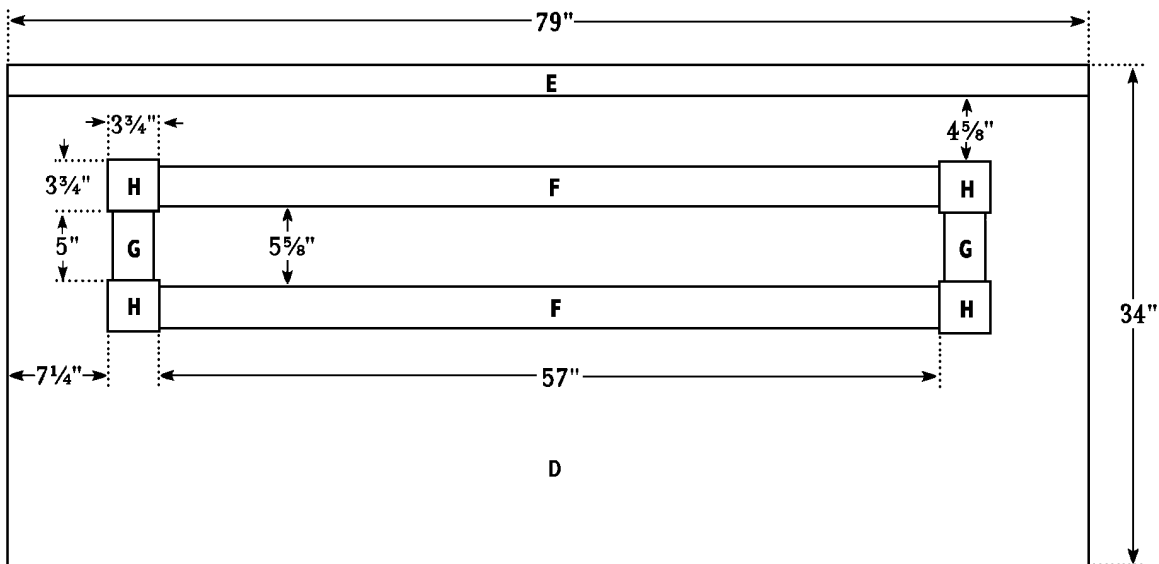


Figure 4

Making the Footboard

1. Cut one Footboard (I) from $\frac{3}{4}$ " plywood measuring 79 x 28 inches.
2. Locate the Top Rail (E) that you set aside earlier, and center the Top Rail (E) over the one 79-inch-edge of the Footboard (I). Apply glue to the meeting surfaces, and nail through the Top Rail (E) into the edge of the Footboard (I) using 2" finishing nails spaced every 6 inches.
3. Cut two Long Footboard Moldings (J) from 3-inch-wide beaded molding, each measuring 57 inches.
4. Cut two Short Footboard Moldings (K) from 3-inch-wide beaded molding, each measuring 9-1/2 inches.
5. Referring to *Figure 5*, position the Long and Short Footboard Moldings (J and K) and four Decorative Squares (H) on the Footboard (I). Note that the 3-inch-wide moldings must be centered width-wise on the decorative squares. Nail through each corner of the four Decorative Squares (H) using 1-1/4" finishing nails. Nail through the molding using 1" finishing nails. Use two nails on each of the Short Footboard Moldings (K), and eleven on each of the Long Footboard Moldings (J).
6. Cut one Base Rail (L) from 1 x 4 pine measuring 79 inches.

- Apply glue to the meeting surfaces, and attach the Base Rail (L) to the bottom of the Footboard (I). The top of the Base Rail (L) should overlap the bottom of the Footboard (I) 1 inch. Use 1-1/4" finishing nails spaced every five inches.

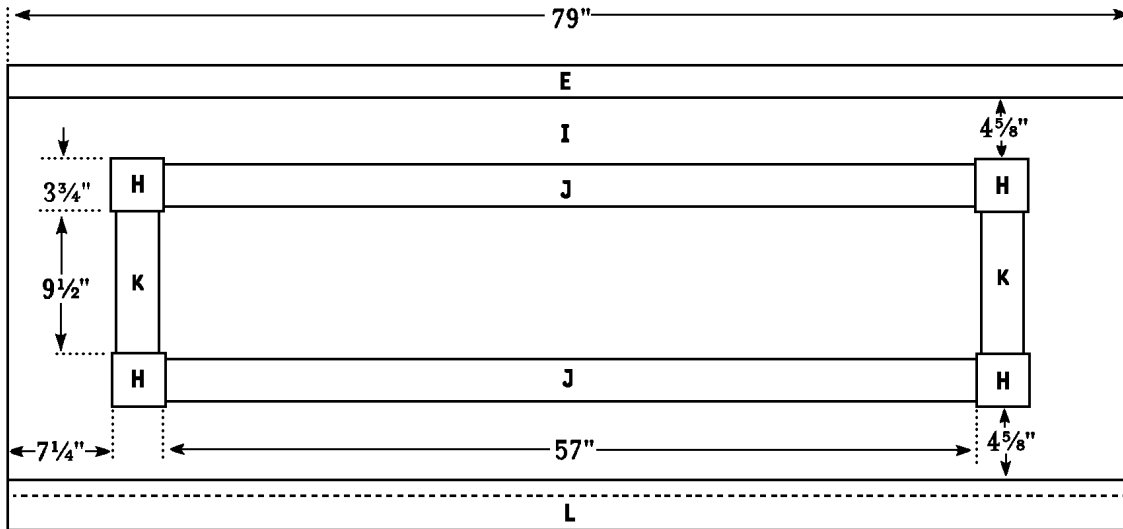


Figure 5

Assembling the Headboard and Footboard

- Cut four Supports (M) from 2 x 2 pine, each measuring 15 inches.
- Attach two Supports (M) 22 inches above the bottom of two of the assembled columns into Side (A) as shown in *Figure 6*. Apply glue to the meeting surfaces and screw through the Support (M) into the Side (A) using four 2-1/2" wood screws on each joint. (**Note:** these supports attached to the columns will be used to support the headboard.)
- Attach two Supports (M) 2 inches above the bottom of the remaining assembled columns as shown in *Figure 7*. Apply glue to the meeting surfaces and screw through the Support (M) into the Side (A) using four 2-1/2" wood screws. (**Note:** these columns will be used to support the footboard.)
- Place the two headboard columns on a flat surface, with the two attached Supports (M) facing each other. Place the Headboard (D) over the two Supports (M) between the two headboard columns. The bottom of the Rail (L) should be flush against the top of the Supports (M). Screw through the Headboard (D) into the Supports (M) using four 1-5/8" wood screws on each joint.
- Repeat Step 4 to attach the footboard to the footboard columns.

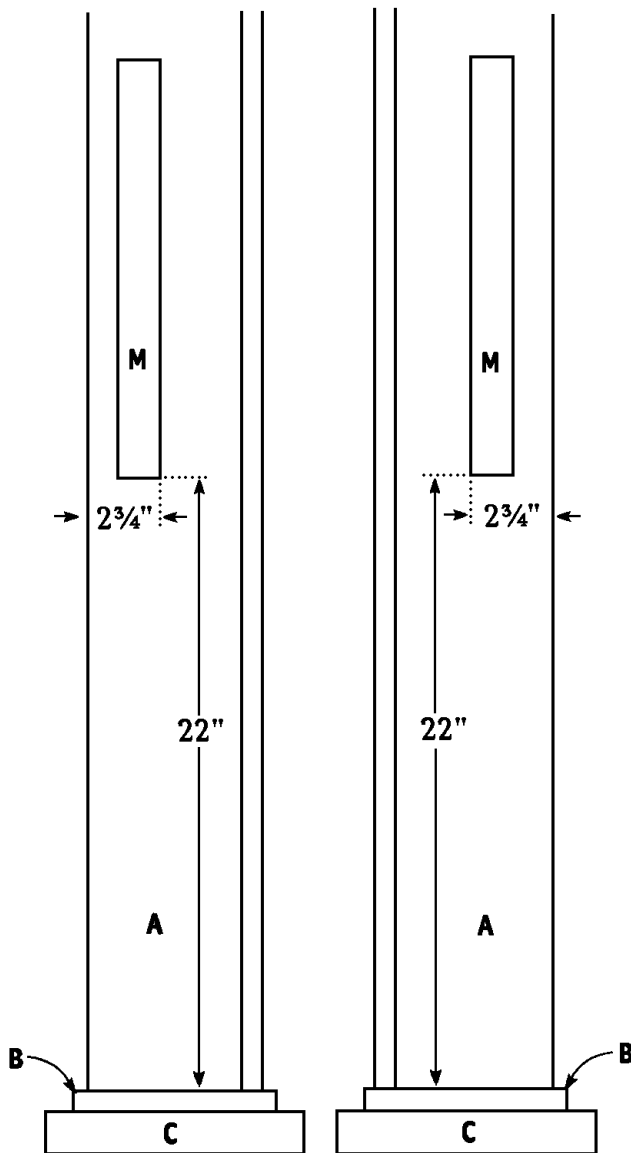


Figure 6

Finishing

1. Fill any holes, cracks or crevices with wood filler.
2. Thoroughly sand all areas of the completed headboard and footboard assemblies.
3. Attach two closet rod holders on the inner sides of the two headboard columns, centered width-wise and 1-1/2 inches from the top of the column.
4. Attach one curtain rod holder on the outside of each of the headboard columns.
5. Attach one curtain rod holder on the two outer sides of each of the footboard columns.
6. Paint or stain the project the color of your choice. We painted the entire bed assembly white. After that painted dried, we painted again with a light moss green, and ragged off the second coat. When you paint, also paint the curtain rods and the finials. The curtain rods will be cut to length during the final assembly.
7. Depending upon the type of metal frame on your bed, the installation of the headboard and footboard may vary. We already had a metal frame with brackets for both a headboard and footboard and screwed through the metal brackets into both the headboard and footboard. If your frame has only one bracket, you can turn the frame around and attach that bracket to the footboard. Then you can either attach the headboard to the wall, or simply place the

headboard against the wall and push the bed against it to hold it in place (assuming your bed is in no danger of moving across the floor).

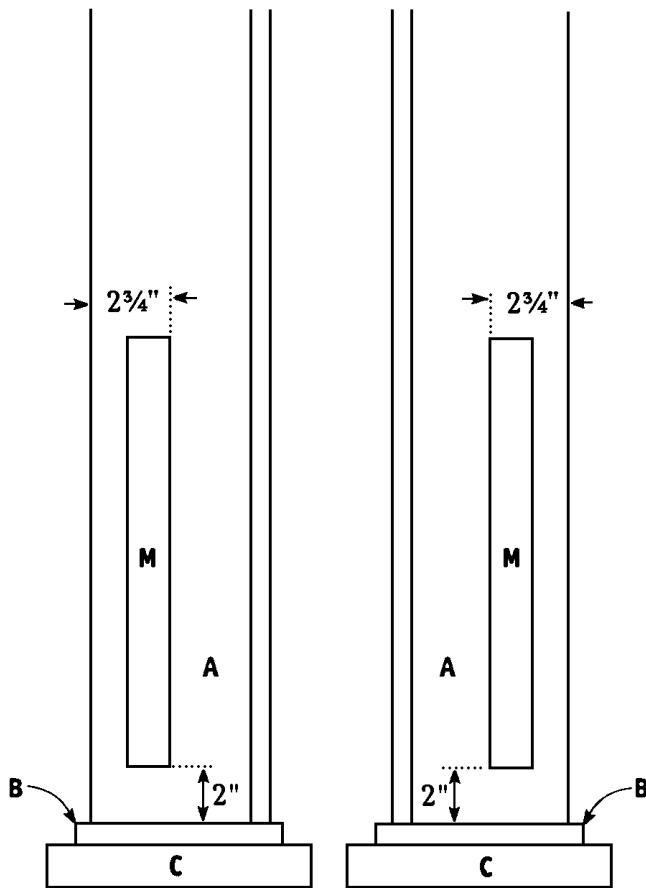
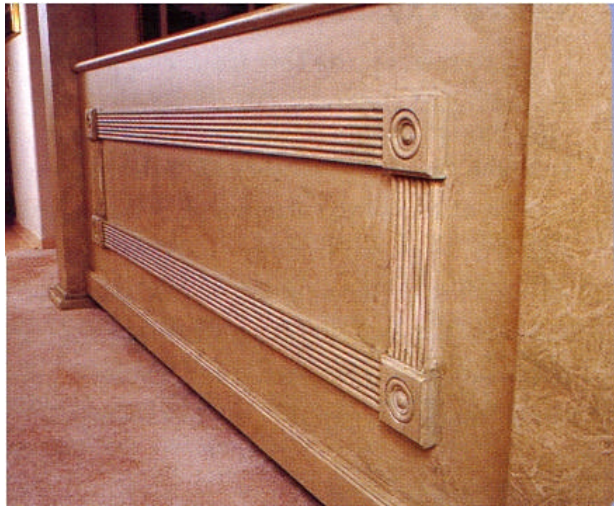


Figure 7

8. Cut one beaded curtain rod to a length of 79 inches. Install it in the closet rod holders above the headboard.
9. Screw a finial on one of the remaining curtain rods. Place the finial end on the curtain rod holder on the headboard column, and the other end on the curtain rod holder on the footboard column. Mark the desired length on the rod (ours extended past the holder about 1 inch), remove the curtain rod and cut it at the mark. Screw a second finial into the cut end, and reinstall the curtain rod.
10. Repeat Step 9 to install another curtain rod on the opposite side of the headboard/footboard.
11. Repeat the procedure one more time to cut and install the remaining curtain rod on the curtain rod holders over the footboard.





**Enjoy many more indoor and outdoor projects from
!**

