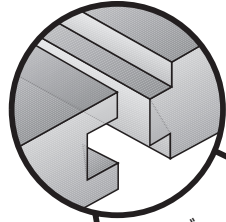
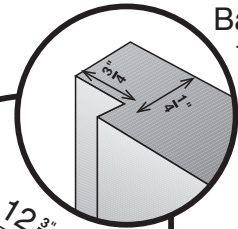


KITCHEN HUTCH

Wedge tongue & groove assembly

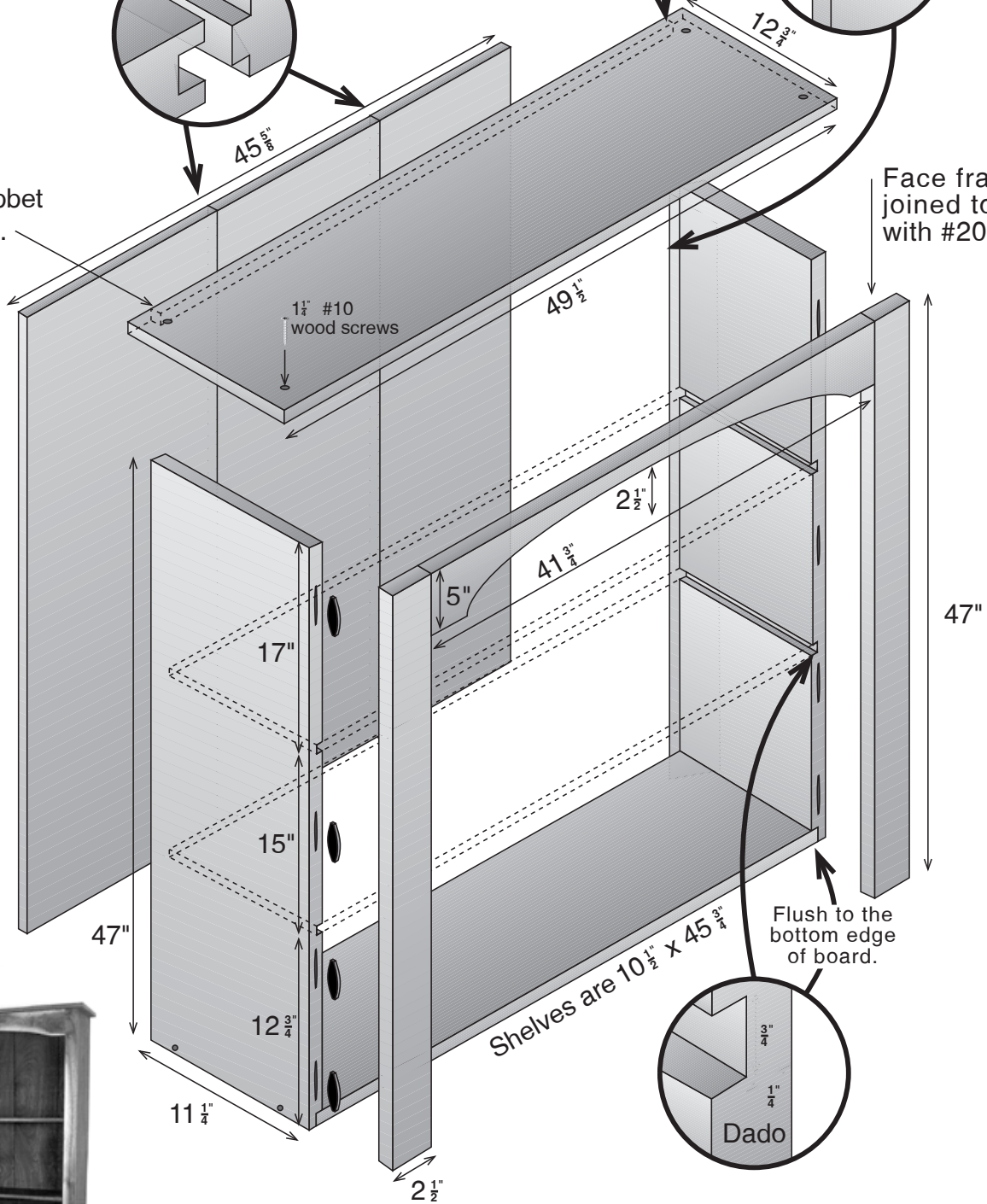


Back edge tabbets



Stopped blind rabbet
1 7/8" from ends.

Face frame
joined together
with #20 biscuits.



All stock 3/4" thick.

