

### Description:

This cabinet came into my family in the late 1960's. We acquired it at a farm auction in southern Ohio. It was probably made by a member of the family selling it. What I remember about the auction was the buggies parked under an enormous tree in the side yard of the farm. I don't know if the farm itself was Amish, but certainly many of the neighbors were. The cabinet is not particularly old, as it is held together with wire finish nails, and the drawer bottom is plywood. Nonetheless, it is a very traditionally built piece.

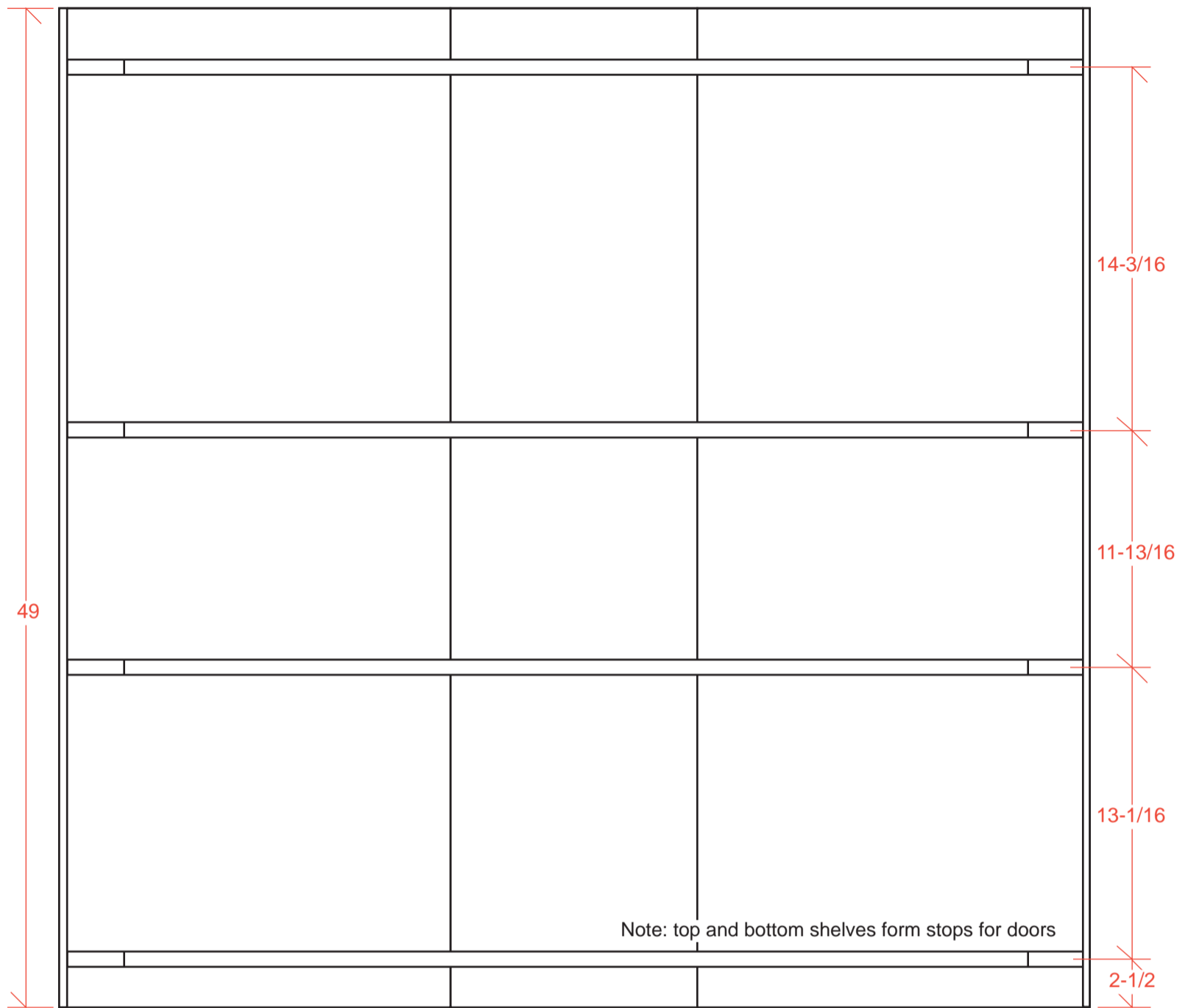
The cabinet face is dark cherry with a gloss varnish. Interior and hidden work is poplar or some other white wood. Except for the drawer and the doors all joints are butt joints secured with nails.

This cabinet is divided into two sections for easier transport. The joining of the upper and lower sections is concealed by the band of trim just above the drawer.

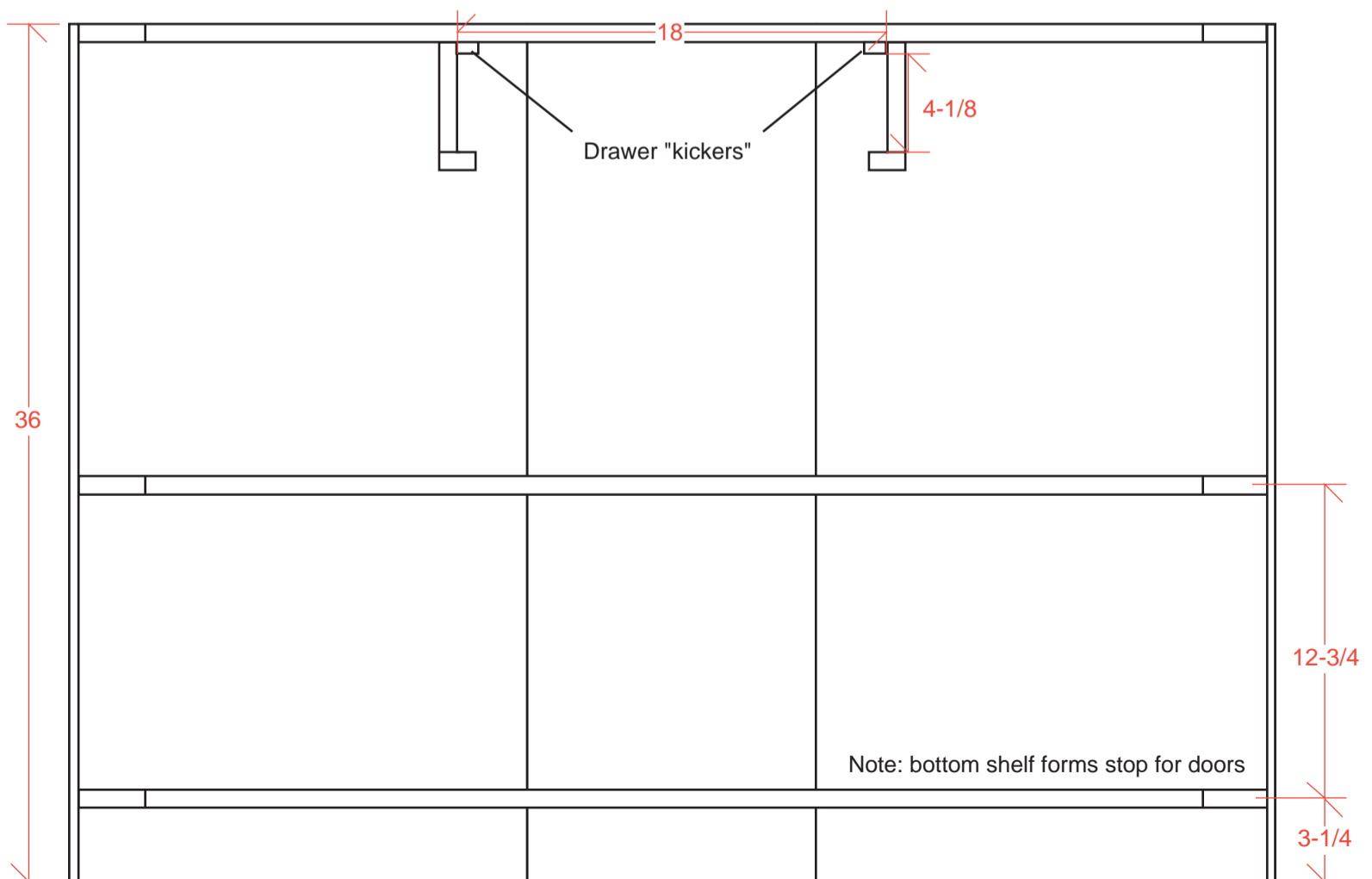
If I were going to reproduce the cabinet, I'd choose a hardwood plywood for the shelves and back, and face it with solid lumber.

A word about the size of this piece: of the six houses it's been in since my family acquired it, only one has had more than one place it would fit. The only place it fits in my present home covers a small closet door. Also, be aware that the finished piece is heavy and difficult to move. The upper case in particular requires care in handling.





Upper Case

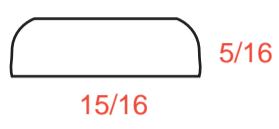


Lower Case

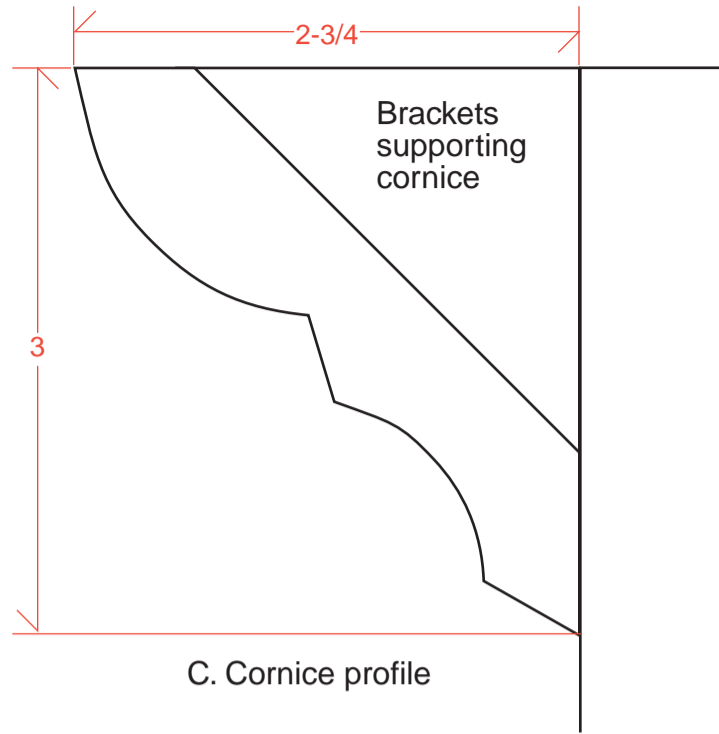
A.



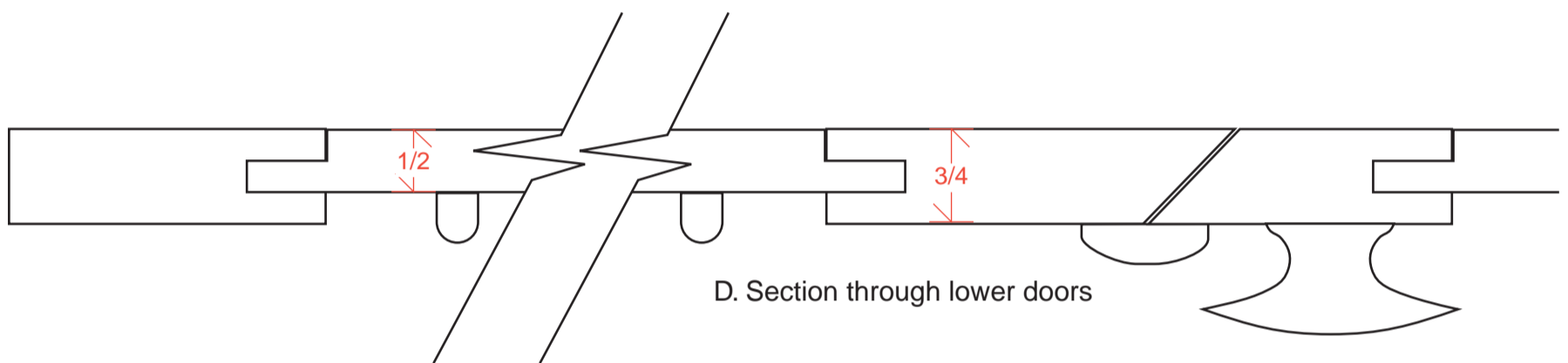
B.



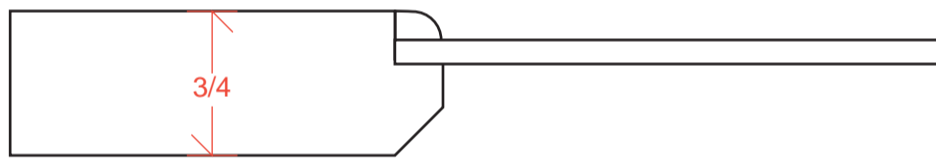
Moulding profiles



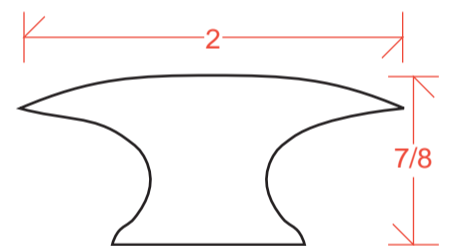
C. Cornice profile



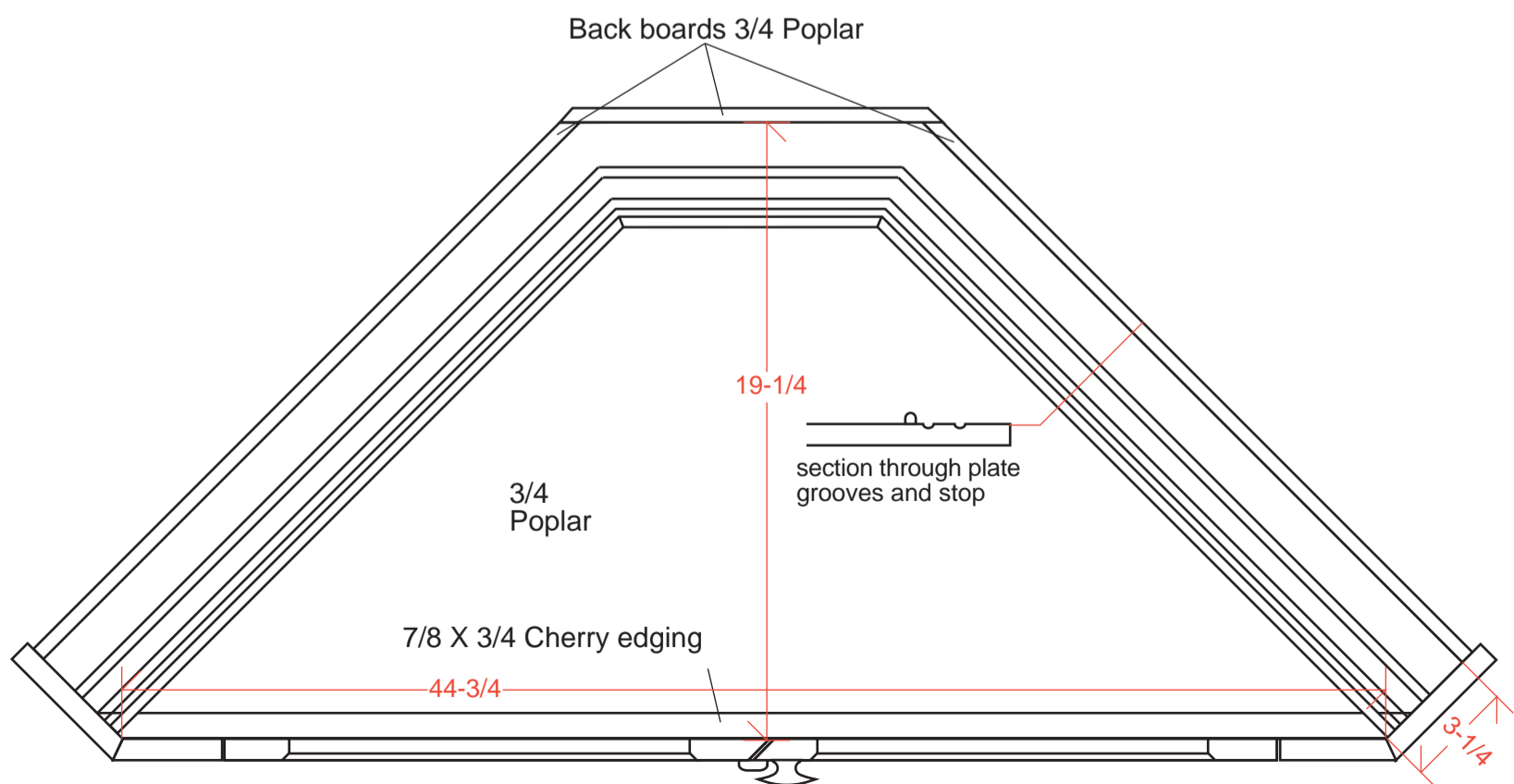
D. Section through lower doors



E. Section through upper door showing glass mounting



F. Knobs



G. Section through upper case

**Basic assembly:**

The carcass consists of two boxes constructed from cherry-faced poplar shelves and poplar back and side boards. The frame and trim detail were applied afterwards.

