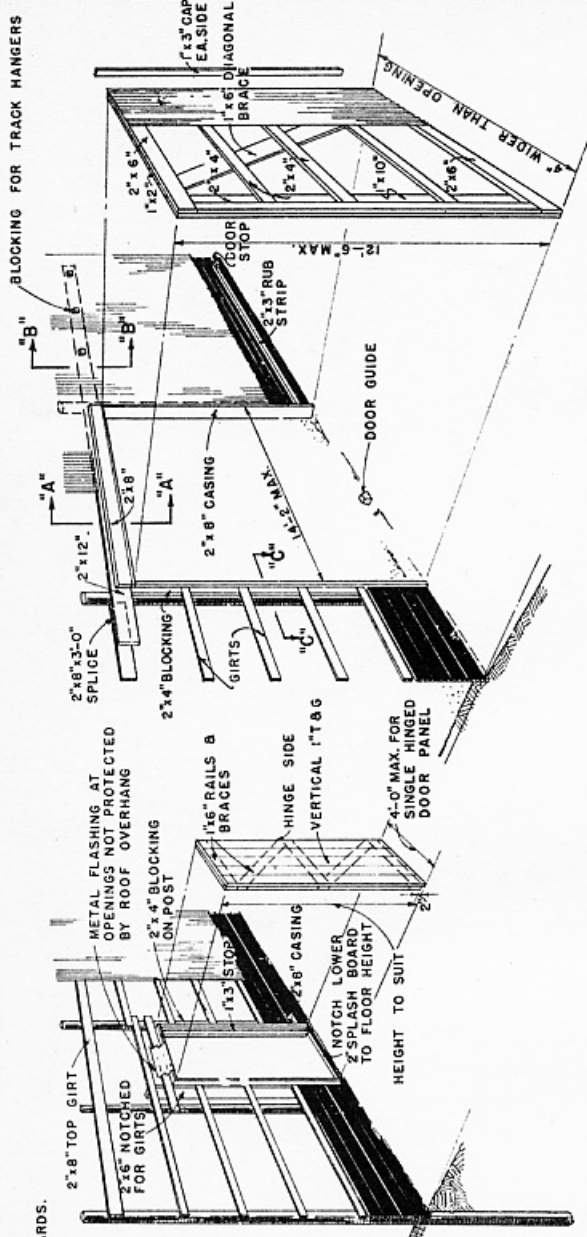
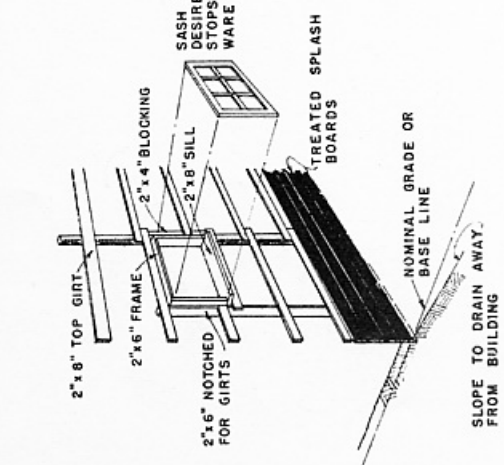


TYPICAL WALL CONSTRUCTION
(ROOF FRAMING NOT SHOWN)

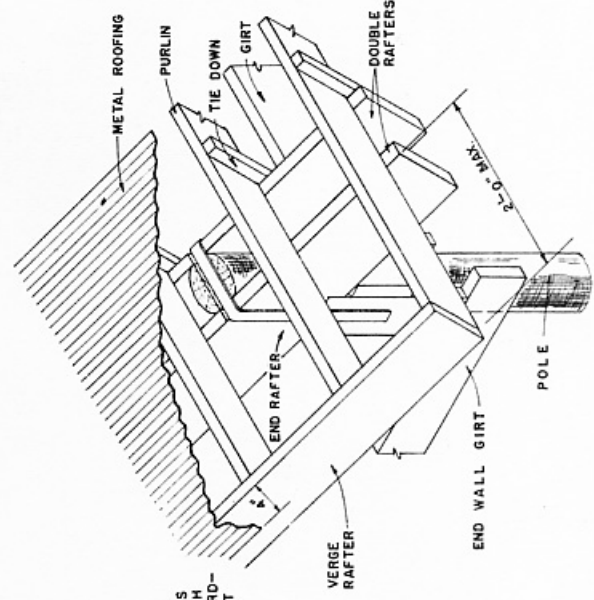


TYPICAL FRAMING
FOR HINGED DOOR

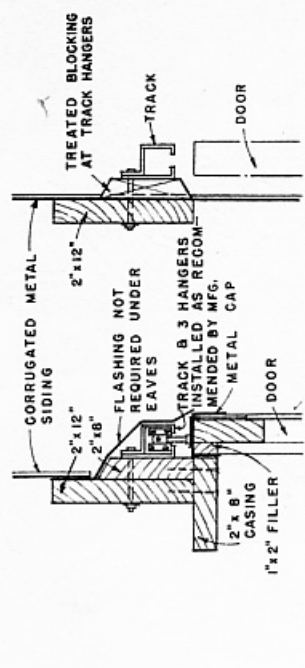
TYPICAL FRAMING
FOR SLIDING DOOR



TYPICAL WINDOW
INSTALLATION

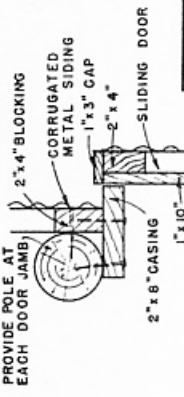


ROOF OVERHANG AT ENDWALL
(DOUBLE RAFTERS & PURLIN CONSTRUCTION SHOWN)
WHEN SHEATHING IS USED INSTEAD OF PURLINS IT MAY BE
EXTENDED IN SIMILAR MANNER. PROVIDE BLOCKING BETWEEN
END & VERGE RAFTERS IF OVERHANG EXCEEDS 12\"/>



SECTION A-A

SECTION B-B



SECTION C-C

NOTE: EQUIP METAL COVERED BUILDINGS
WITH ADEQUATE LIGHTNING PROTECTION
SYSTEM IN AREAS WHERE NEEDED. REFER
TO FARMERS' BULLETIN NO. 1515, "PROTECTION
OF BUILDINGS AND FARM PROPERTY FROM
LIGHTNING" AS A GUIDE.