



Instructions

- Four stout screw eyes to hold hanging potted plants from top beam ends.
- Hot-dipped galvanized or stainless-steel nails as required. Note: For better hold-down power, use galvanized screws and waterproof glue. For a finished look, recess screw heads and fill with wood plugs or putty.
- Water repellent or stain with water repellent or three coats of exterior paint after wood is thoroughly dry (several months exposed to weather) will help protect your pressure treated wood from splitting, checking, warping and splintering.
- Optional: Instead of sinking posts in ground, bolt to stakes or steel bars which are sunk firmly. If the stakes or bars disintegrate years later, they can be replaced without disturbing the plantings.
- pressure treated wood is recommended for exterior use. If you are confident of your skill, you may wish to use more costly material such as Redwood or Cedar.

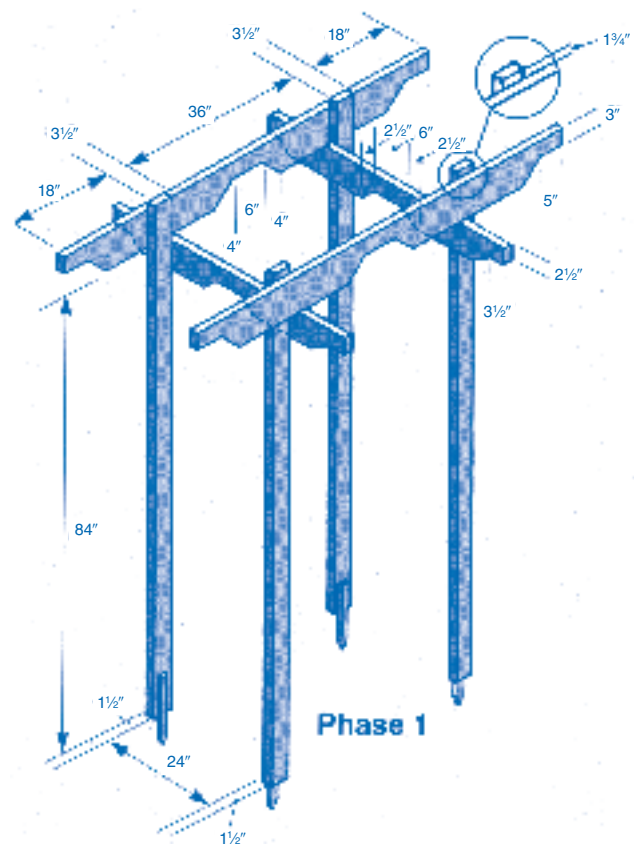
Arbor

Romance! Enter the secret garden through this beautiful arbor constructed from Treated Lumber. Plans are designed for the experienced carpenter. The arbor will add dimension and character to any yard or garden.

Note: Not for climbing. This arbor is not intended to support the weight of a person or any objects other than plants.

Materials Checklist

- 2–2" x 8" x 7' cut to 79" top beams
- 2–2" x 6" x 5' cut to 51" side beams
- 4–2" x 4" x 8' cut to 93" min. post
- 3–2" x 2" x 6' cut to 6 36" top plant supports
- 1–2" x 2" x 8' cut to 4–19" brackets
- 11–1" x 2" x 8' cut to:
22–27" horizontal laths
8–19³/₄" vertical laths
4–23" vertical laths



Corporation makes no warranties expressed or implied, regarding this plan and specifically disclaims the warranties of merchantability and fitness for a particular purpose. Check with an architect or a building expert to make sure that this plan is appropriate to your situation and meets local building codes. Read carefully the consumer information sheet on pressure treated wood before starting construction.

Safety Dispatch

Build Safely with Pressure Treated Wood

Whether you're building a new planter or replacing your deck, pressure treated wood is the high performance decking choice. The projects you build with pressure treated wood products should last a long time. So, it makes good sense to build in a craftsman-like manner. Here are some helpful tips to make your job easier and look better.

1. Recommended Fasteners

Use only hot-dipped galvanized or stainless steel fasteners, connectors and hardware to help safeguard the structural integrity of projects built with ACQ treated wood.

As a minimum requirement for use with ACQ treated wood, hot-dipped galvanized

coated fasteners should conform to ASTM Standard A153 and hot-dipped galvanized coated connectors should conform to ASTM Standard A653 (Class G-185). In demanding applications, such as treated wood foundations and playground equipment, use of stainless steel fasteners and connectors should be utilized and may be required by building codes.

Electroplated galvanized fasteners are not recognized as being corrosion resistant for exterior applications. Aluminum should not be used in direct contact with ACQ treated wood.

2. Nail bark side up

Always nail boards bark side up (annual rings arc upward) to reduce cupping. Nail thin boards to thicker boards to help maintain structural integrity.

3. Drill pilot holes

Especially when nailing near the edge or end of a board, it's a good idea to drill pilot holes for your fasteners.

4. Butt boards tightly

Butt decking boards together firmly. As drying occurs, some shrinkage can be expected.

5. Apply a weather resistant finish.

Any exposed wood, pressure treated or not, should be protected from the weather. Application of a finish coat of clear or semi-transparent water-repellent stain will help to minimize warping, checking or splitting. The finish coat should be applied immediately to untreated wood and to pressure treated wood as soon as the surface is dry.

Safety First

Pressure treated wood is easy to work with. The following simple safety procedures are recommended.

- Do not burn treated wood. Toxic materials may be produced as part of the smoke or ashes.
- Clean up scraps and sawdust after construction and dispose by ordinary trash collection.
- Gloves should be worn to protect against splinters and abrasions.
- A dust mask should be worn when sawing, machining or sanding any wood to reduce the inhalation of wood dust. Whenever possible these operations should be performed outdoors to avoid indoor accumulations of airborne sawdust from treated wood.

- Appropriate eye protection should be worn to reduce the potential for eye injury from wood dust or particles and flying debris during machining and construction.
- After working with pressure treated wood, thoroughly wash your hands and exposed areas thoroughly with mild soap and water before eating, drinking or using tobacco products.
- Because preservatives or sawdust may accumulate on clothes, they should be laundered before reuse. Wash work clothes separately from other clothing or household items with which you may have contact.
- Treated wood should not be used where it may come into direct or indirect contact with drinking water, except for uses involving incidental contact such as fresh water docks and bridges.

Use Site Precautions

ACQ treated wood may be used both inside residences (should be clean and free of surface residues) and outdoors. However, it should not be used in or on sites where it could come into contact with food, animal feed or drinking water.

Examples of such sites are as follows:

1. Structures for storage or handling animal feed, (grain, silage, etc.) such as silos, feed troughs or bunks.
2. Use as kitchen countertops or cutting boards.
3. Use in construction of those portions of beehives which may come into contact with the honey.
4. Structures that would be in direct or indirect contact with drinking water, except for uses involving incidental contact such as residential fresh water docks and bridges. **ACQ treated lumber should not be used in salt-water immersion applications.**
5. Do not use ACQ treated lumber residues, such as sawdust and shavings, as mulch.



Corporation
Building Products
55 Park Place, N.E.
Atlanta, GA 30303
1-800 BUILD GP
www.gp.com/build