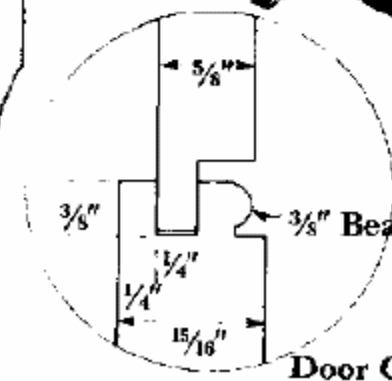
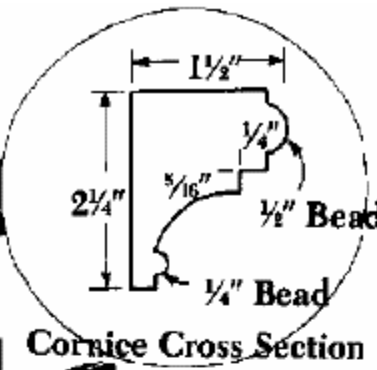
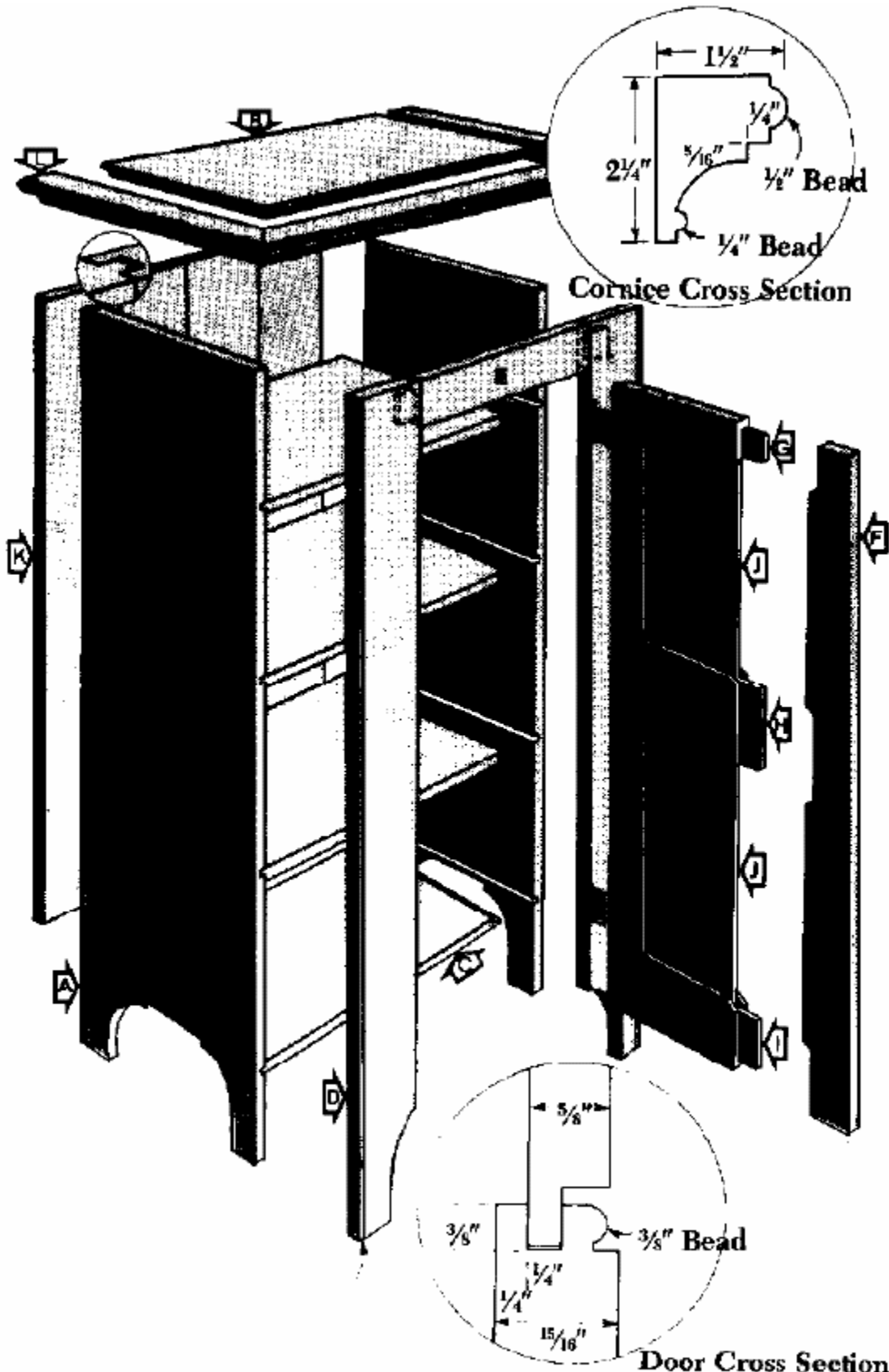
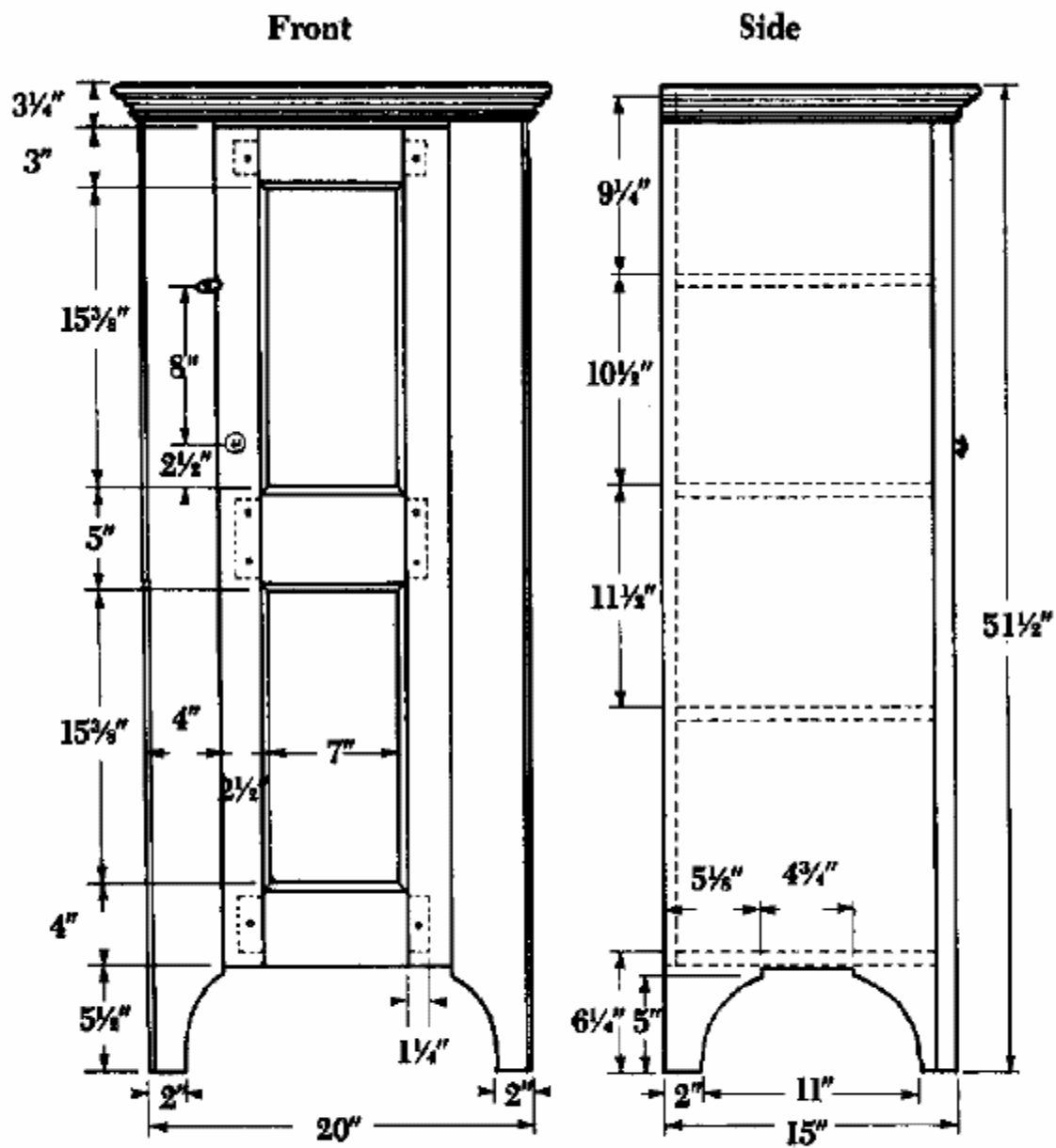


# **Shaker Jelly Cupboard**





*Illus. 8-3. Plans for the Shaker jelly cupboard.*

TABLE 8-1  
Shaker Jelly Cupboard  
Bill of Materials

Part	Quantity	Description	Size
A	2	sides	$\frac{1}{2} \times 14\frac{1}{16} \times 51\frac{1}{4}$ "
B	1	top	$\frac{1}{2} \times 15 \times 20$ "
C	4	shelves	$\frac{3}{4} \times 13\frac{7}{16} \times 19$ "
D	2	face-frame stiles	$1\frac{5}{16} \times 4 \times 51\frac{1}{4}$ "
E	1	face-frame rail	$1\frac{5}{16} \times 3 \times 14\frac{1}{2}$ " (includes $1\frac{1}{4}$ " tenons)
F	2	door stiles	$1\frac{5}{16} \times 2\frac{1}{2} \times 44\frac{3}{4}$ " (includes 1" horns)
G	1	door top rail	$1\frac{9}{16} \times 3 \times 9\frac{1}{2}$ " (includes $1\frac{1}{4}$ " tenons)
H	1	door center rail	$1\frac{5}{16} \times 5 \times 9\frac{1}{2}$ " (includes $1\frac{1}{4}$ " tenons)
I	1	door bottom rail	$1\frac{9}{16} \times 4 \times 9\frac{1}{2}$ " (includes $1\frac{1}{4}$ " tenons)
J	2	door panels	$\frac{5}{8} \times 7\frac{1}{2} \times 16\frac{3}{8}$ "
K	4	back tongue-and-groove boards	$\frac{3}{4} \times 5\frac{1}{16} \times 45\frac{3}{4}$ " (includes $\frac{1}{4}$ " tongue)
L	1	cornice moulding	$1\frac{1}{2} \times 2\frac{3}{4} \times 72$ " (long enough for 3 pieces)

*Bill of materials for the Shaker jelly cupboard. All the parts are made of pine. All the dimensions are in inches. See Illus. 8-2, which shows the different parts of the cupboard.*