

NOTICE

The purchaser agrees when purchasing this plan (the "Plan"); the purchaser has acquired the right to build or construct the project or project set out in the Plan for personal use only and not for any commercial use. 2) reproduction of the Plan in whole or in part by any means whatsoever is strictly prohibited. The Handymans should not be liable for any willful misuse or negligent use of this plan, the Project or any tools used to construct the Project or for any loss or damage resulting therefrom.

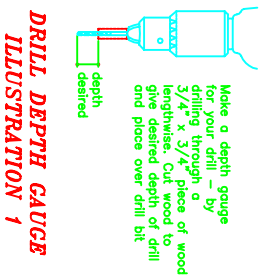
NOTE : Read all directions before beginning

Set and fill all nails
Carpenter's glue should be used to reinforce all joints
Dimensions shown in brackets denote millimeters

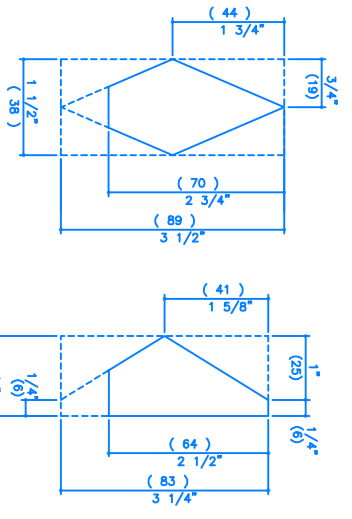
Directions (Abbreviations)

- 1) Lay out your material as outlined in the suggested materials layout (Fig 1). Draw out all parts exactly as illustrated in cutting diagram (Fig 2), including the letter designations, in pencil. Ensure to leave a small space between cut lines to allow for the width of the saw. Before cutting, double check all measurements to ensure they are correct. Always cut on the waste side of the line. For pieces E and J, you can sand the angle the width of a grit sandpaper (folded to suit) to sand the angle the width of the sandpaper to a smooth finish. The "long" edge measurements are given. Exact detail is not critical, however the two pieces must be different enough that there will be no confusion during the game.
- 2) To make pieces E and F, draw the lines on the rectangles as shown (Fig 4) and place the pieces in a vise to cut, or you could clamp the pieces to your work table and cut.
- 3) To attach the parts of the pieces together, drill the pieces to a depth of 3/8" with a depth gauge (Illustration 1 and a 1/4" drill bit. The holes should be drilled in the centre of each piece, with the exception of pieces E and L. Drill these pieces as shown (Fig 5); you can use a vise, or clamp them to the work table to hold them steady. Do not drill the hole in the wood before finishing the pieces. All assemblies are drilled and glued in a similar fashion (Fig 6).
- 4) If you have used only one type of wood for both sides, stain one side with dark stain, the other with a light stain (or no stain). You may wish to finish the pieces with oil or varnish, however do not finish the bottoms. Glue felt to the bottom of the pieces.

OVER



DRILL DEPTH GAUGE ILLUSTRATION 1



PIECE F
PIECE E
FIGURE 4

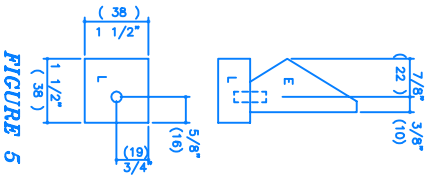


FIGURE 5

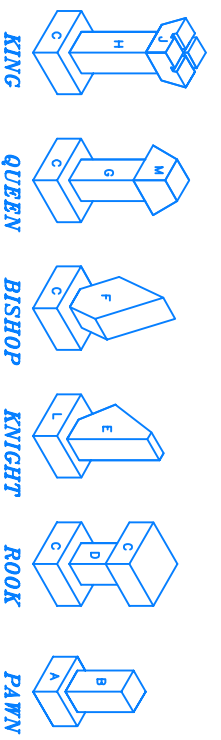
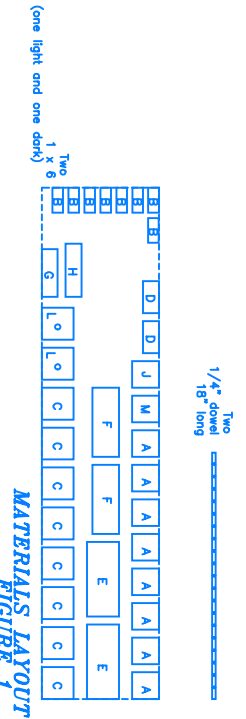
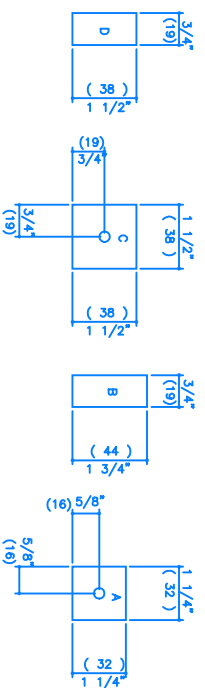


FIGURE 6



MATERIALS LAYOUT FIGURE 1



CUTTING DIAGRAM FIGURE 2

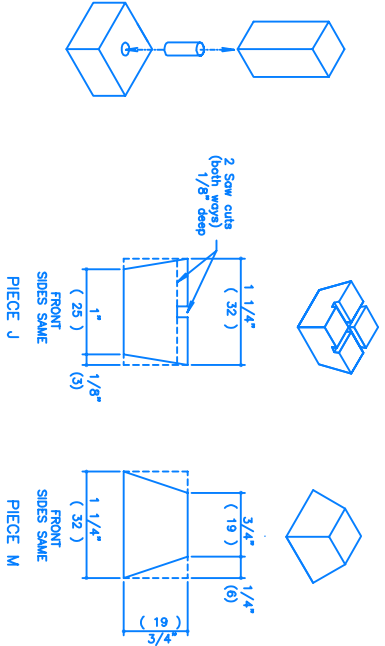


FIGURE 3

CHESSMEN and BOARD - Project #501

- MATERIALS LIST**
- One 18" length 1/4" dowel
 - Two 3" wide 1 x 6 (3/4" x 5 1/2")*
 - Two 3" light 1 x 4 (3/4" x 3 1/2")*
 - Two 5" light 1 x 4 (3/4" x 3 1/2")*
 - One 2" x 4" piece 1/4" plywood
 - Eight square feet felt
 - Carpenter's glue & Wood filler

- MATERIALS LIST**
- Sanding paper
 - Approx. 1/2 lb. 1/4" finishing nails
 - Approx. 1/2 lb. 1/4" mounting hardware
 - Four small hinges with 1/2" mounting hardware
 - Two suitcase latches with 1/2" mounting hardware
 - One carrying handle with hardware
 - * or you may use light wood and light and dark stain

- TOOLS**
- Table Saw
 - Pencil and Measuring Tape
 - Power 1/4" drill bit
 - Hammer and Screwdrivers
 - Square and Nail Set
 - Knife and Finishing Saw
 - Paint Brush and Putty Knife