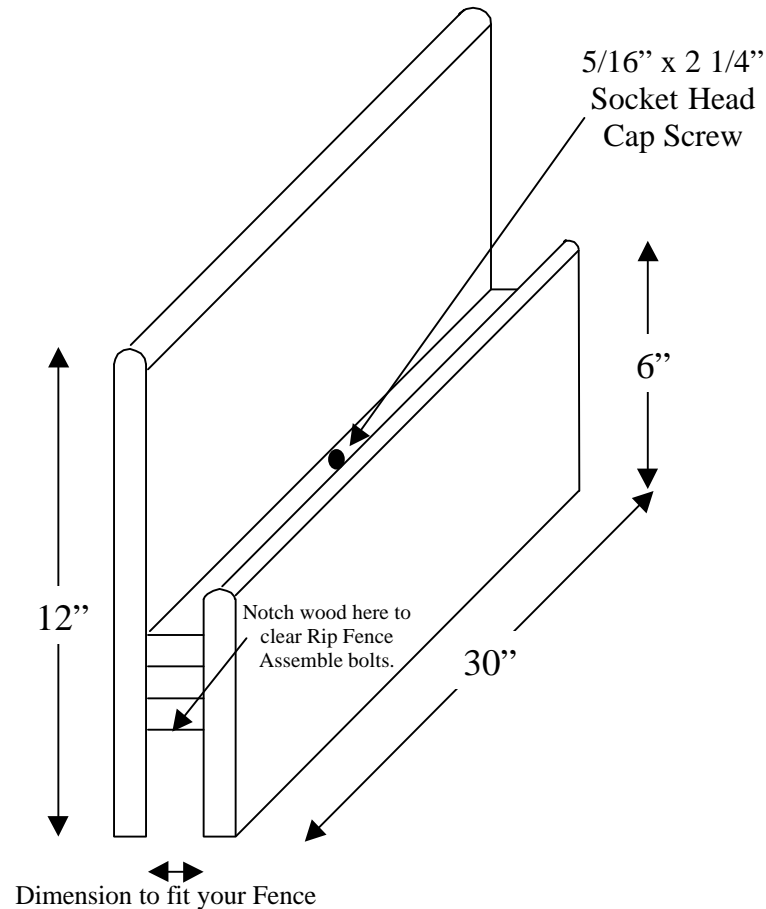


# Extra High Fence for Ryobi BT3000 Table Saw



## Directions

1. Verify Dimensions to fit your saw and Application
2. Material is 3/4" MDF (Medium Density Fiberboard)
3. Cut all Pieces and dry fit to your fence. Mount your Rip Fence onto your Table saw and form the wood fence around it, using clamps to hold it together. The Rip Fence should fit "snuggly" into the wood fence with the sides and top of the "pocket" flush with the Rip Fence.
4. Mark the wood fence for screw locations and locate hold down screw hole.. Remove wood fence, drill and counter sink for 1 1/2" dry wall screws and 5/16" Socket Head Cap Screw.
5. Assemble the wood fence around your Rip Fence again using wood glue this time and clamps. Double check for fit, ensuring the wood fence is snug to rip fence and perpendicular to the saw table.
6. Install Screws and remove wood fence from Rip Fence.
7. Clean excess glue from both fences

USE AT YOUR OWN RISK, THIS DRAWING IS FOR DISCUSSION PURPOSES  
ONLY

# Extra High Fence for Ryobi BT3000 Table Saw

