

193
TWIN BED



LIST OF MATERIALS

(finished dimensions in inches)

A	Headboard	1-1/2 × 38 × 44
B	Footboard	1-1/2 × 32 × 44
C	Feet (4)	1-1/2 × 5-1/2 × 16
D	Sideboards (2)	1-1/2 × 7-1/4 × 75
E	Sideboard supports (4)	1-1/2 × 3-1/2 × 6-3/4
F	Slats (5)	3/4 × 3-1/2 × 38
G	Slat supports (2)	1-1/2 × 1-1/2 × 75
	Flathead wood screws	#10 × 2-1/2
	Wood glue	

The basic design of this twin bed is very simple and sturdy. While templates are provided for the headboard and footboard, you can create your own pattern if you prefer. In fact, it might be a good idea to select a mattress first and then adjust the dimensions to fit.

1. Make full-size templates for the headboard (A) and footboard (B) using the patterns provided.

2. Glue up a pair of panels for the headboard and footboard from 2 x 6 and/or 2 x 8 stock. When the glue has dried, sand the panels smooth and cut them to the dimensions given.

3. Transfer the template designs to the panels. Cut out the headboard and footboard pieces, then sand their edges smooth.

4. Cut the remaining pieces to size using the dimensions provided.

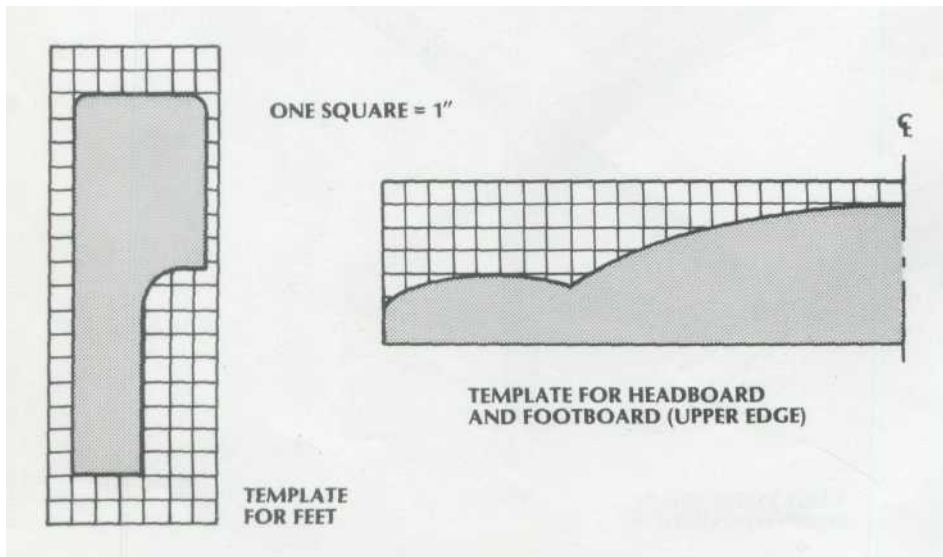
5. Attach a sideboard support (E) to each foot (C) using flathead wood screws. Make two right-facing feet and two left-facing feet.

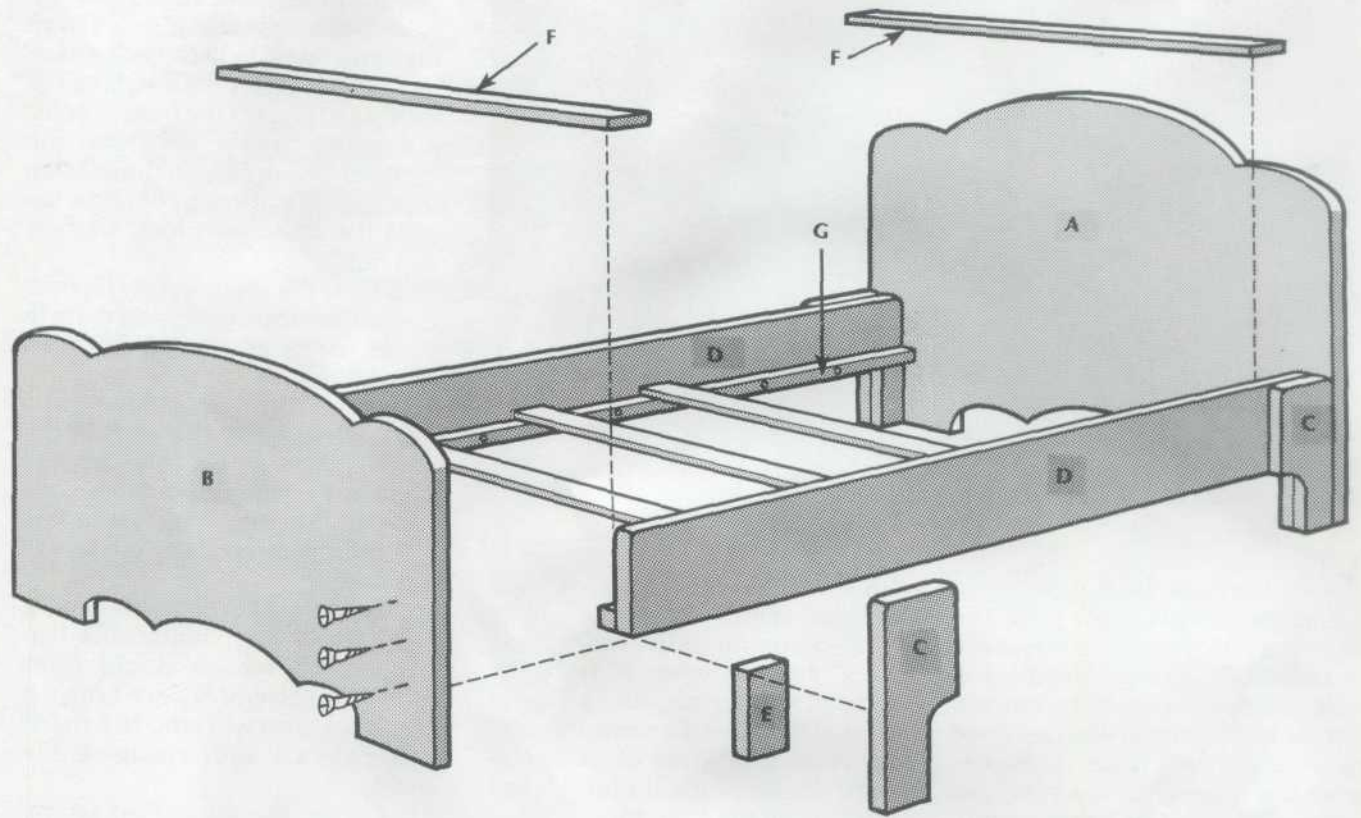
6. Fasten the feet to the headboard and footboard using glue and #10 x 2-1/2" flathead wood screws. Drive the screws counterbored through the boards into the edges of the feet. Counterbore the holes and plug them to hide the screw heads.

7. Attach a slat support (G) to the bottom inside edge of each sideboard (D) by driving screws through the support into the sideboard. Counterbore the screws for extra holding power.

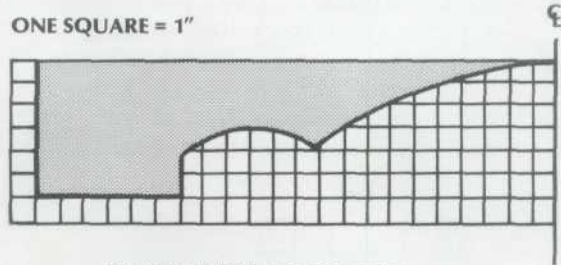
8. Attach the sideboards to the feet, resting the sideboards on the supports inside the feet. Use four flathead wood screws at each corner, fastening from the inside. Do not use glue.

9. Add the slats (F), sand the entire bed, and finish as desired.





ONE SQUARE = 1"



TEMPLATE FOR HEADBOARD AND FOOTBOARD (LOWER EDGE)