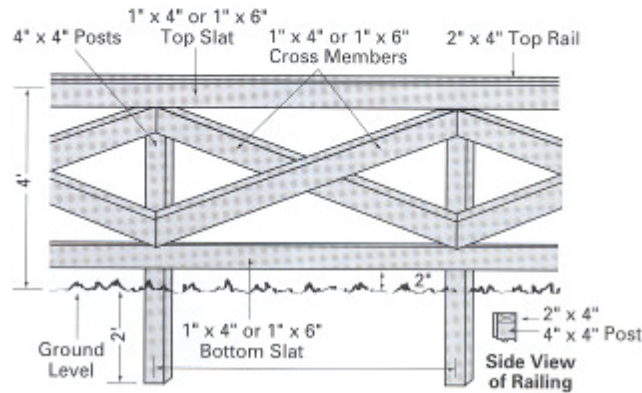


Post and Rail Fence



Lumber (per section)

- ▲ (1) 4"x4" - 6' Post
- ▲ (2) 2"x4" - 8' Rails
- ▲ (2) 1"x4" - 8' Rails
- ▲ (2) 1"x4" - 10' Diagonals

Alternative

- ▲ (2) 1"x6" - 8' Rails
- ▲ (2) 1"x6" - 10' Diagonals

Hardware

- ▲ (12) 4" Common Nails for 2" - 4" Framing
- ▲ (28) 2" Common Nails for 1" - 4" Framing

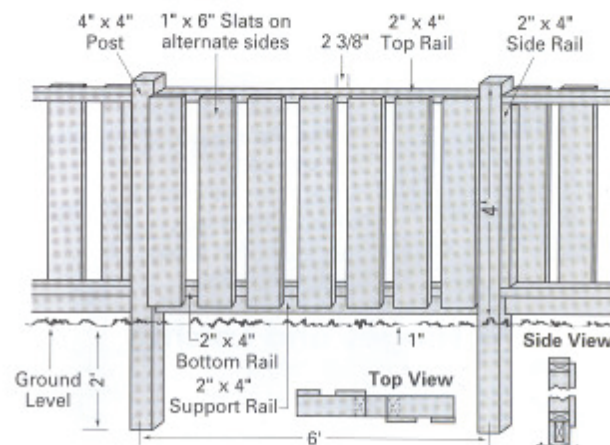
Alternative

- ▲ (28) 2" Common Nails for 1" - 6" Framing

For End Section Add

- ▲ (1) 4"x4" - 6' Post

Board on Board Fence



Lumber (per section)

- ▲ (1) 4"x4" - 6' Post
- ▲ (3) 2"x4" - 6' Rails
- ▲ (1) 2"x4" - 7' Side Supports
- ▲ (9) 1"x6" - 3'8" Slats

Hardware

- ▲ (22) 4" Common Nails for 2"x4" Framing
- ▲ (36) 2" Common Nails for 1"x6" Slats

For End Section Add

- ▲ (1) 4"x4" - 6' Post

For slats longer than four feet, add an intermediate rail for greater support.