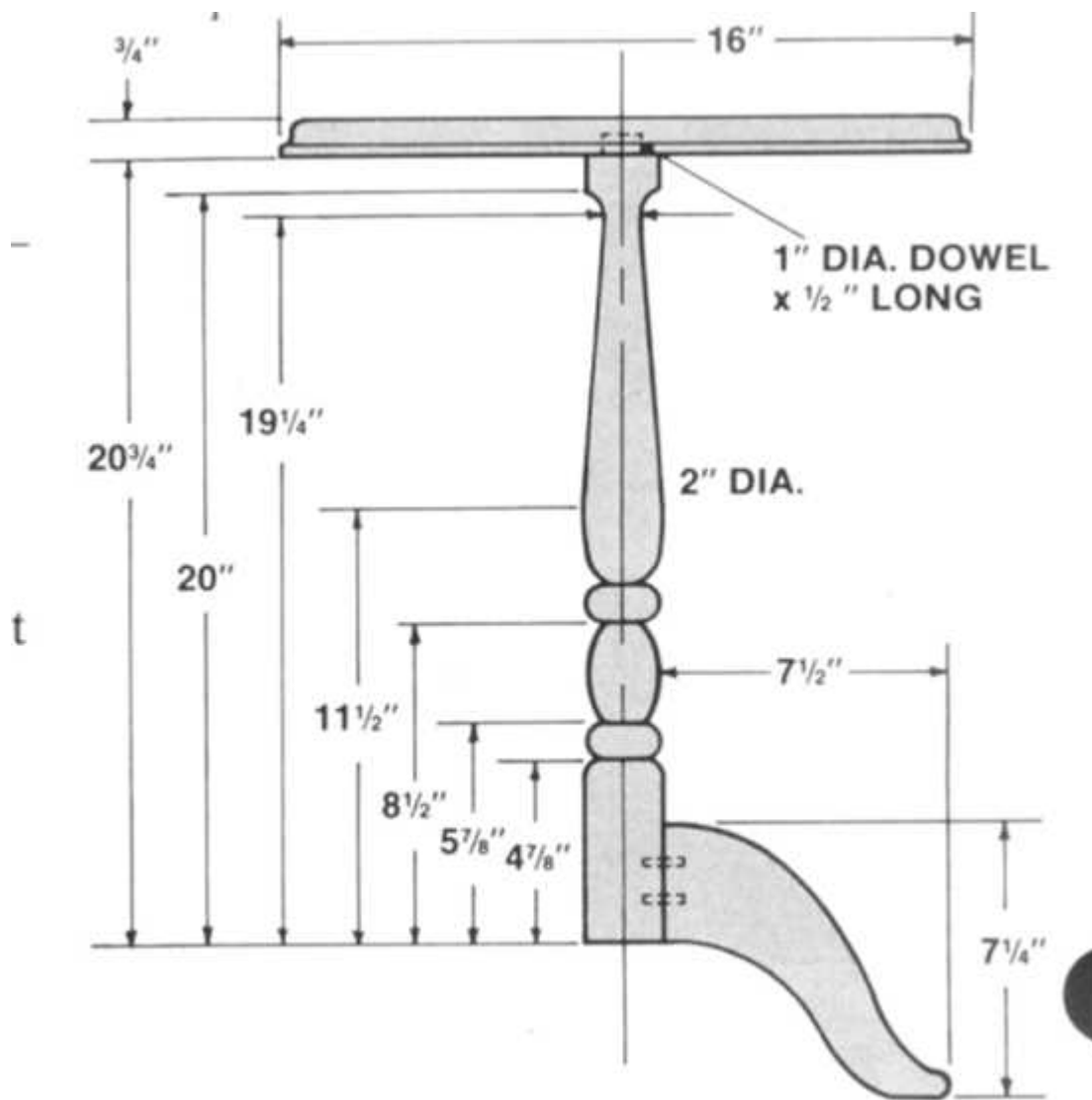


121

CONCORD TABLE





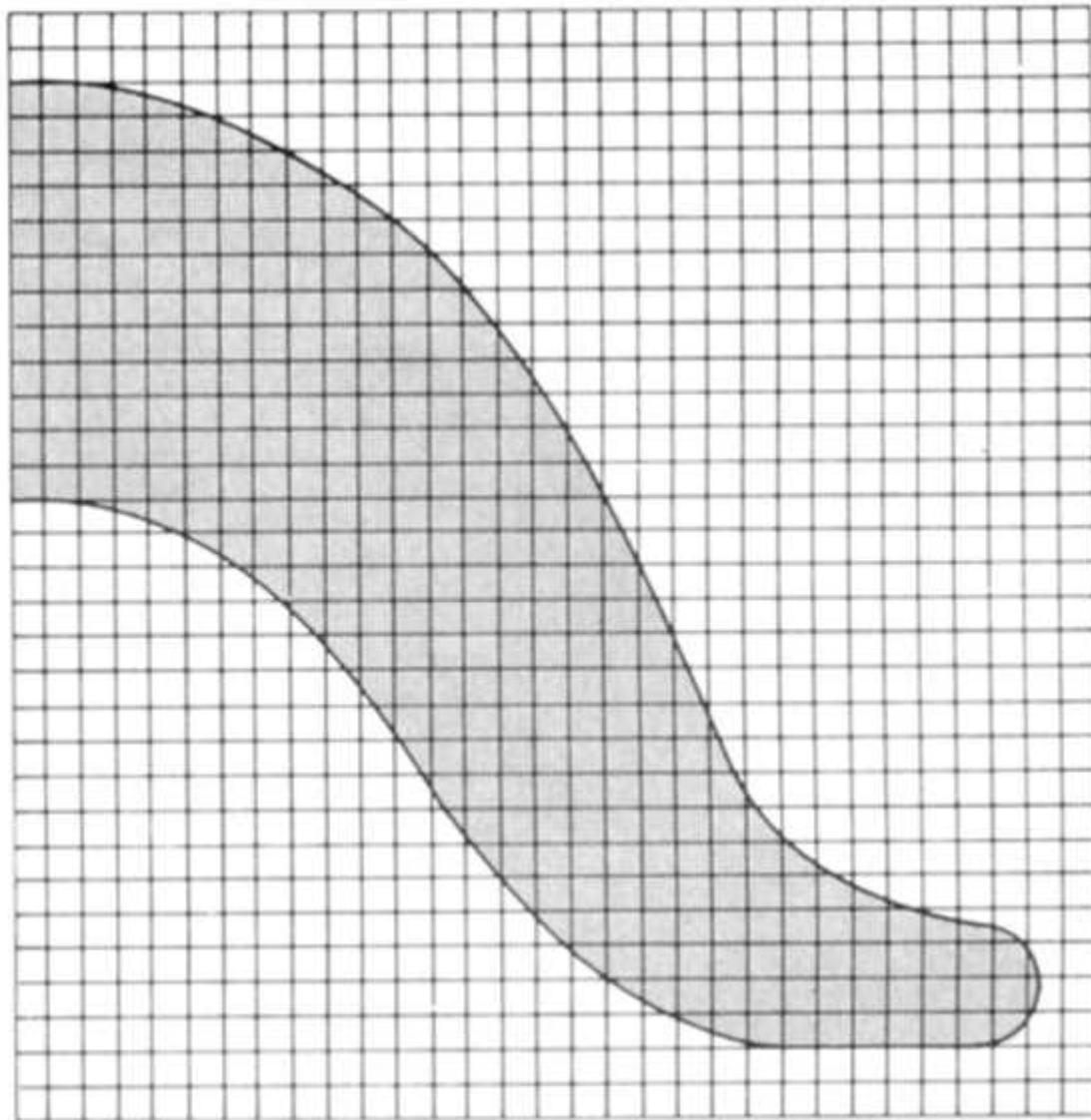
LIST OF MATERIALS

Finished dimensions in inches

- A. Spindle 2 dia. x 21 1/4 stock
- B. Top 3/4 x 16 dia. Stock
- C. Leg (3) 3/4 x 7 1/4 x 7 1/2
- D. Dowels (10) 3/8 dia. X 1 1/2 (hardwood)
- E. Top Brace 3/4 x 3 x 12

1. Cut stock to size according to List of Materials. Layout the spindle pattern (A) on a piece of 1/4" thick stock.
2. Use a scroll saw, Bandsaw or jigsaw to cut out the pattern and sand all sawn edges smooth. You now have the template for the lathe duplicator.
3. Mount the template on the lathe duplicator per your Owner's Manual.
4. Turn part A from a piece of 2" diameter x 21 1/4" stock.

5. Sand the spindle.
6. With the Mark V in the horizontal boring mode, drill the 3/8" diameter holes for the dowels "D" in the legs "C."
7. Use the grid pattern to layout the pattern for the legs "C."
8. Transfer the pattern to three pieces of stock 3/4" x 7 1/4" x 7 1/2".
9. Use a scroll saw, Bandsaw or jigsaw to cut out the legs. Save one piece of scrap from the outside curve for future use.
10. Use a drum sander to sand the curves of the legs.
11. Use a router with a piloted 1/4" rounding over bit to shape the curved edges of the legs. Do not shape the straight section.
12. Use a drum sander to sand a concave curve in the straight portion of the leg. This makes for a better fit when attaching the legs to the spindle.
13. Sand the legs and set aside.
14. Divide the base diameter of the spindle into three equal parts 120 degrees apart. Draw vertical lines on the base of the spindle to form the centerlines for the leg dowel holes.
15. Use dowel centers to mark the holes to be drilled in the spindle. In the vertical drill press mode, drill the 3/8" diameter holes in the spindle. Set up the table and rip fence to form a V-block to cradle the turning.
16. Glue and clamp the legs to the spindle, one at a time, to allow each leg time to set up. The scrap cutting from Step 9 will aid in clamping. With a square, check the bottom of the leg to assure it's square to the outside of the spindle.
17. Glue and clamp the stock to form the 16" x 16" piece for the top (B). Let glue dry for at least 24 hours.



1/4" Squares

1. Layout the 16" diameter circle for the top. Belt and surface of top blank smooth.
NOTE: Mark the center for future use.

2. With a scroll saw, Bandsaw or jigsaw cut out the top (B).
3. Disc sand the edges of the top.
4. Use a router with a 1/4" Roman ogee bit to shape the top edge of B. **NOTE:** The surface with the marked center should be on the bottom.
5. On the bottom of the table top, use a 1" Forstner or Brad-point bit to drill a 1" diameter hold through to brace (E).
6. Sand the table top.
7. Cut angled ends on brace with Bandsaw. Sand with disc sander or belt sander. Drill for screw holes.
8. Screw the top brace to the spindle.
9. Screw the brace to top.
10. Apply the finish of your choice.