

# Handy kitchen stool

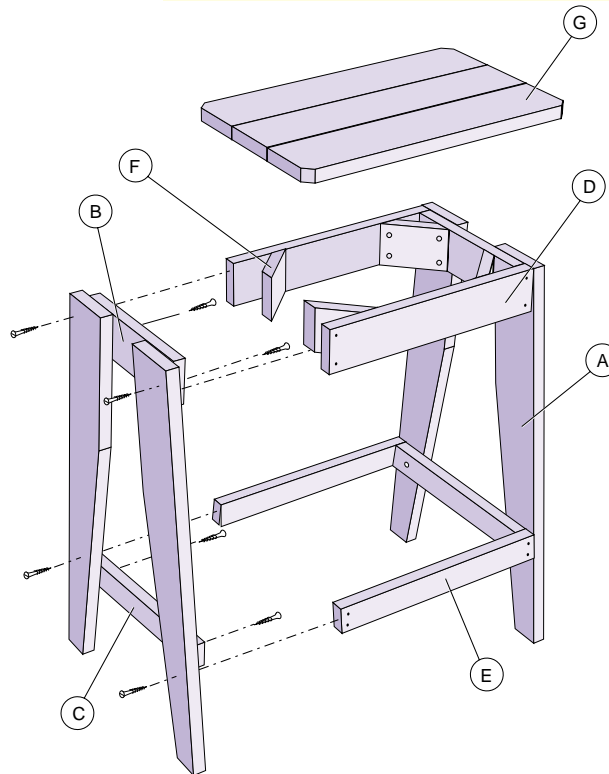
This oregon stool is easy to build with hand tools

A sturdy stool never goes astray in a busy household. Whether you need some safe means of reaching the back of a top shelf or changing a light bulb, want somewhere to sit while shelling the prawns or could do with an extra seat outside, this stool will find many uses. And its little brother is a handy step as well.

By Dieter Mylius

## WHAT YOU WILL NEED

ITEM	PART	SIZE	SIZE
		Tall stool	Short stool
A	Legs (4)	90 x 19 x 650mm	90 x 19 x 350mm
B	Top spreaders (2)	70 x 19 x 230mm	70 x 19 x 230mm
C	Bottom spreaders (2)	40 x 19 x 315mm	40 x 19 x 279mm
D	Top rails (2)	70 x 19 x 360mm	70 x 19 x 360mm
E	Bottom rails (2)	40 x 19 x 360mm	40 x 19 x 360mm
F	Corner blocks (4)	70 x 19 x 100mm	70 x 19 x 100mm
G	Slats (3)	90 x 19 x 450mm	90 x 19 x 450mm



Instructions are for the tall stool. We used seasoned oregon, dressed to standard sizes by the timber yard. You will need one 4.2m length of 90 x 19mm and two 1.8m lengths, one 70 x 19mm and the other 40 x 19mm, with a little to spare. Check components against actual unit as it is being built. All joints are glued with high strength wood glue and screwed with recessed screw holes to be filled later.

### Here's how

1 Set a sliding bevel to an 85° angle from a protractor to give a 5° splay to the legs (A). Keep this bevel setting as it will be needed later. Mark angle on the length of 90 x 19mm timber and cut. Measure 630mm (330mm for

short stool), mark the same angle and cut a leg. Repeat this cut for other three legs. 2 Mark 45mm across bottom of each leg and 400mm up the inside edge. (On the tall stool the measurements are 45 and 200mm.) Join marks and cut to form a taper on base of leg. Repeat for other legs. Smooth saw cuts with a plane. Always take thin shavings and plane down the slope so you are working with the grain. Cutting up the slope will cause the plane to dig in and leave 'chatter' marks. 3 Lay pair of legs on the table and cut the top and bottom spreaders (B, C). The bottom spreader is cut with the same 5° angle at both ends as the legs so the bottom side rails follow splay of the legs. Mark 19mm in from the top outer

edge of each leg and similarly mark 19mm from the outer edge 150mm from the bottom of each leg (70mm on short stool). Glue and screw top spreader in place followed by bottom spreader, leaving space for the rails. Make second set of legs then stand them on edge. 4 Cut top and bottom rails (D, E) to length and glue and nail to the recesses in the leg assemblies left from step 3. Add a screw from the leg into end of each rail. Stand the stool on its legs to check that it stands perfectly. Adjust if necessary. 5 Cut four corner blocks (F) with a 45° mitre at each end and screw into the corner of the top spreaders and rails. 6 Cut the three seat slats (G) and trim a small 45° angle

off each outside corner to remove the sharp edge. Glue and nail slats to stool, starting with the centre slat. 7 Plug counterbored screw holes with glued-in dowelling. Cut flush with timber surface and sand smooth. Sand all surfaces smooth and finish with a hard-wearing polyurethane coating.

**To make a second, smaller stool** as a stepping platform, most of the dimensions except the legs and the lower spreader are the same and the construction is the same as above.