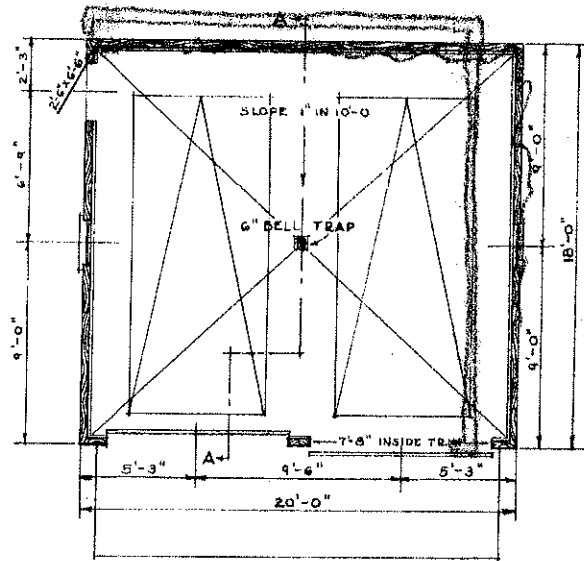
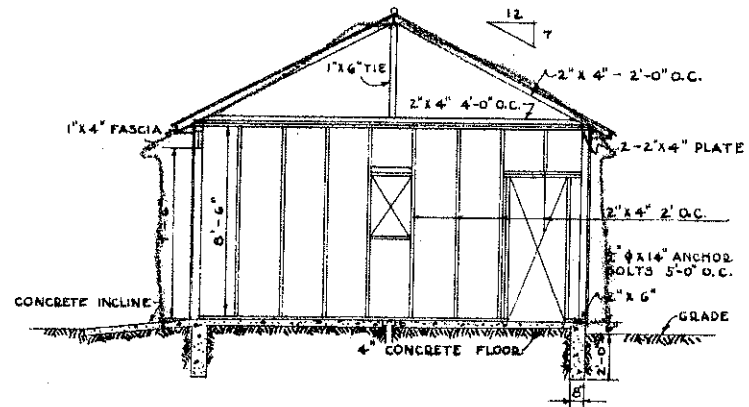


FRONT ELEVATION
SCALE $\frac{1}{4}$ " = 1'-0"

SIDE ELEVATION
SCALE $\frac{1}{4}$ " = 1'-0"



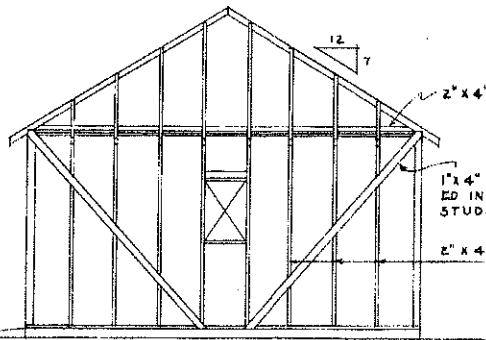
PLAN
SCALE $\frac{1}{4}$ " = 1'-0"



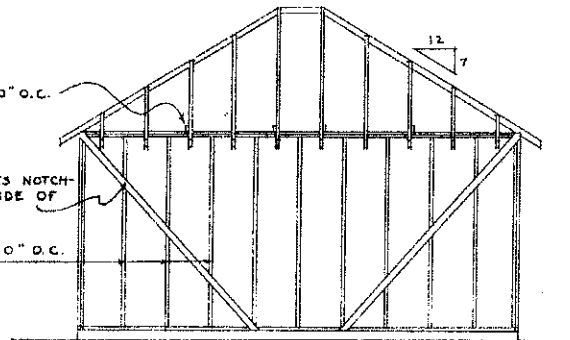
SECTION A-A
SCALE $\frac{1}{4}$ " = 1'-0"

COOPERATIVE EXTENSION WORK IN
AGRICULTURE AND HOME ECONOMICS
STATE OF NORTH DAKOTA
NORTH DAKOTA AGRICULTURAL COLLEGE
AND
U. S. DEPT. OF AGRICULTURE COOPERATING
EXT. AGR'L. ENGINEER- FARGO, N. DAK.
TWO CAR GARAGE
N. WEST 24th St. Fargo, N. D.

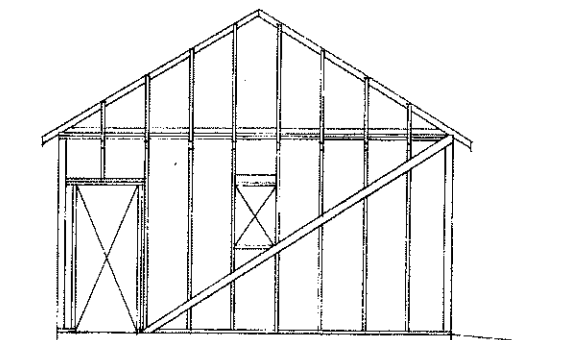
MORE DETAILS ON
NEW PLANS



SIDE ELEVATION

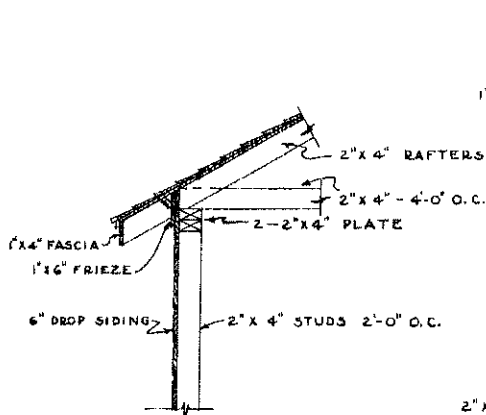


REAR ELEVATION

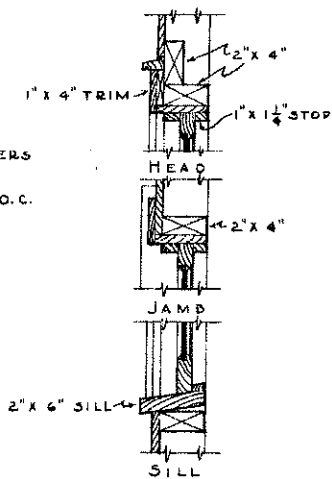


SIDE ELEVATION

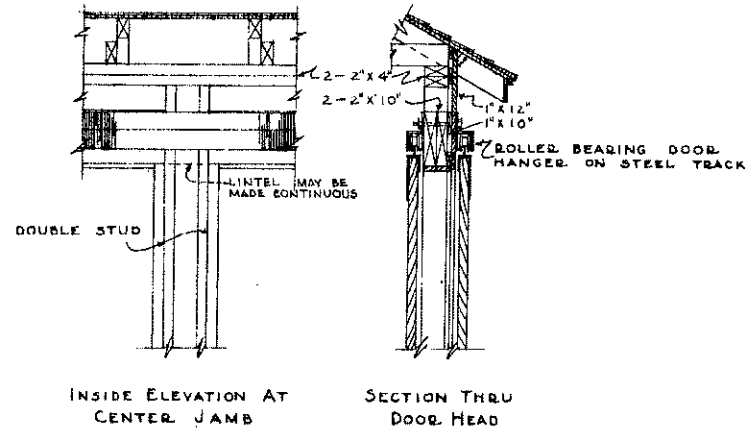
FRAMING DETAILS
SCALE $\frac{1}{4}'' = 1'-0''$



DETAIL OF CORNICE
SCALE $\frac{3}{4}'' = 1'-0''$



WINDOW DETAIL
SCALE $1\frac{1}{2}'' = 1'-0''$



SLIDING DOOR DETAILS
SCALE $\frac{3}{4}'' = 1'-0''$

COOPERATIVE EXTENSION WORK IN
AGRICULTURE AND HOME ECONOMICS
STATE OF NORTH DAKOTA
NORTH DAKOTA AGRICULTURAL COLLEGE
AND
U.S. DEPT. OF AGRICULTURE COOPERATING
EXT. AGR'L. ENGINEER- FARGO, N. DAK.

TWO CAR GARAGE

MIDWEST 74(13-23) FX 5337 SHEET 2 OF 2