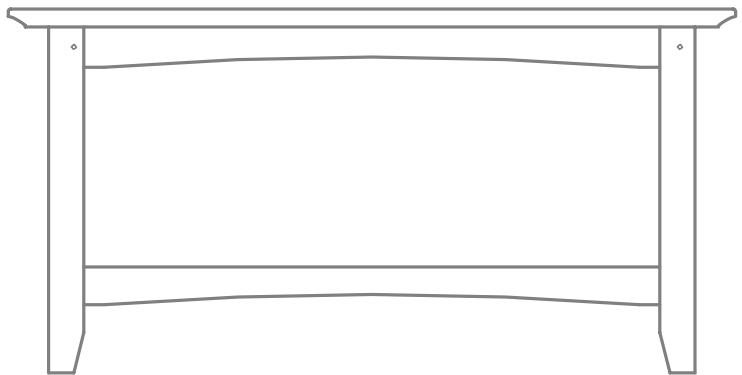
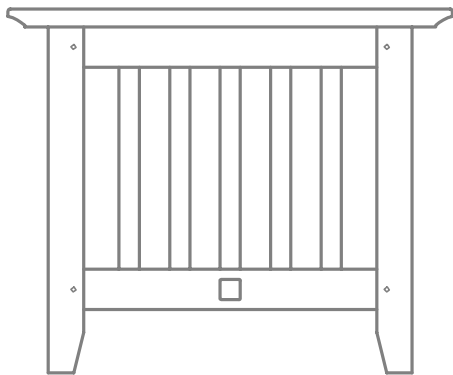


MISSION COFFEE TABLE



18H X 36W X 22D OVERALL



BenchMark

MISSION STYLE COFFEE TABLE

Philip Dumbalough

PLATE ZERO

DEC 10, 2002

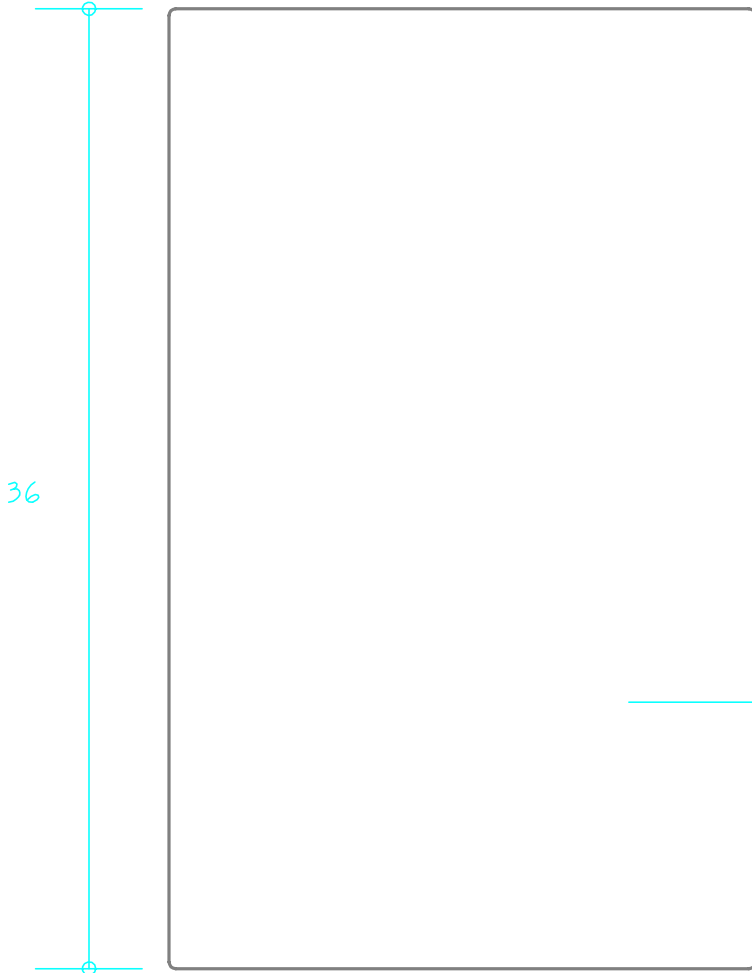
COFFEE.GCD

REV A

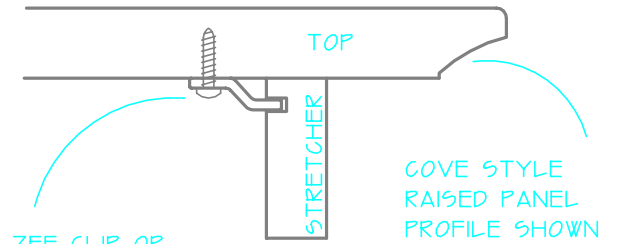
<http://benchmark.20m.com>

TOP

22

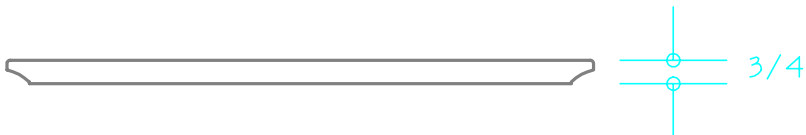


- SECTION A -



ZEE CLIP OR OTHER ATTACHMENT METHOD USED TO SECURE TOP TO LEG / FRAME ASSEMBLY

A



TOP MADE OF SOLID STOCK EDGE GLUED TOGETHER OR A VENEERED SUBSTRATE WITH BANDED EDGES

Benchmark

MISSION STYLE COFFEE TABLE

Philip Bumbalough

PLATE ONE

DEC 10, 2002 COFFEE.GCD

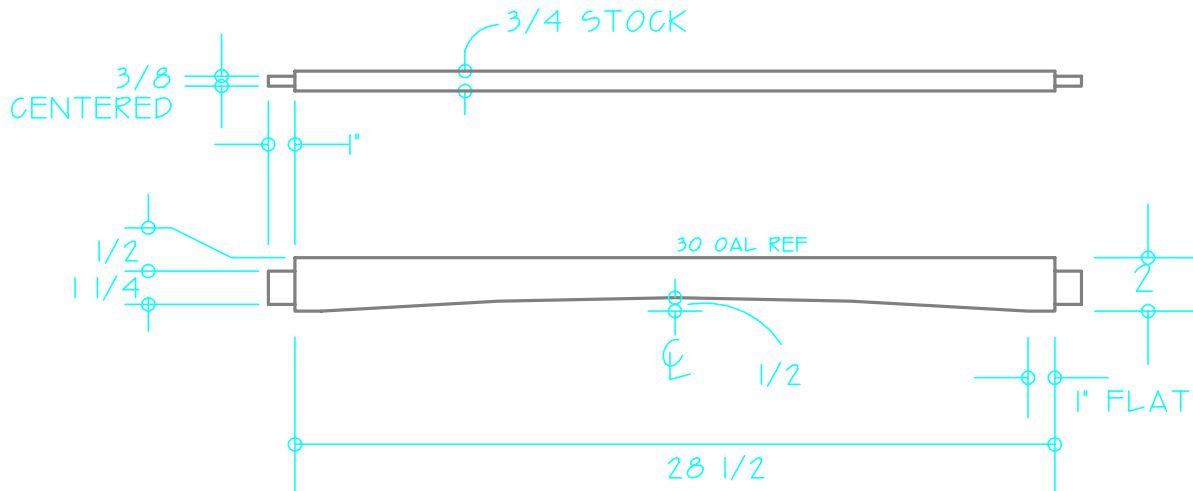
REV A

<http://benchmark.20m.com>

STRETCHERS

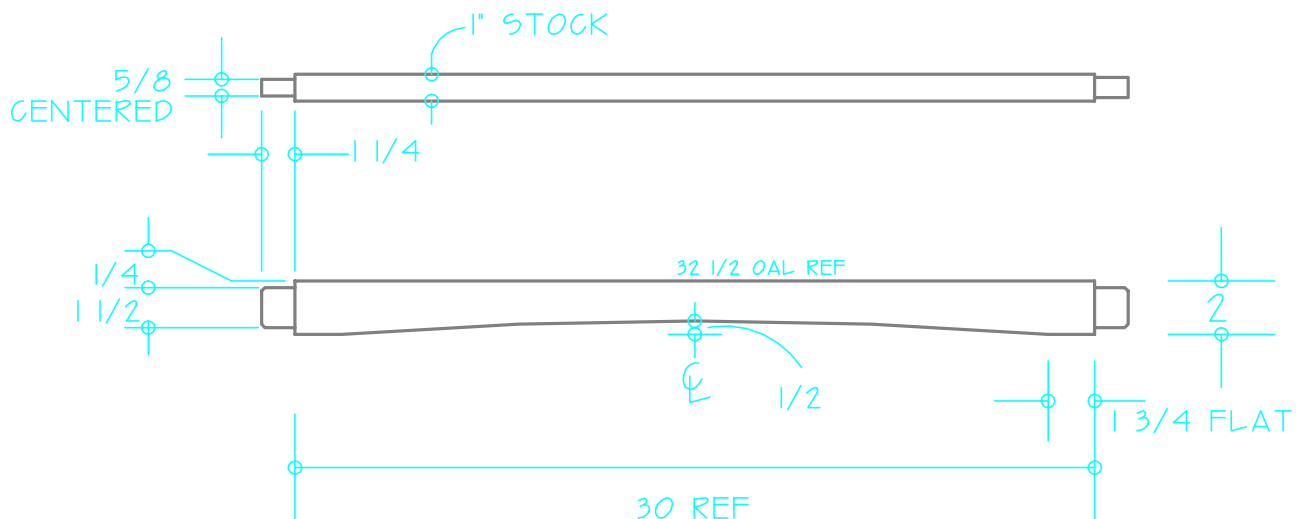
TOP STETCHERS

TWO REQUIRED



BOTTOM STRETCHER

ONE REQUIRED



CHAMFERED ENDS, TENON
WILL PROTRUDE 1/2" THROUGH
LOWER SPINDLE RAIL

Benchmark

MISSION STYLE COFFEE TABLE

Philip Dumbalough

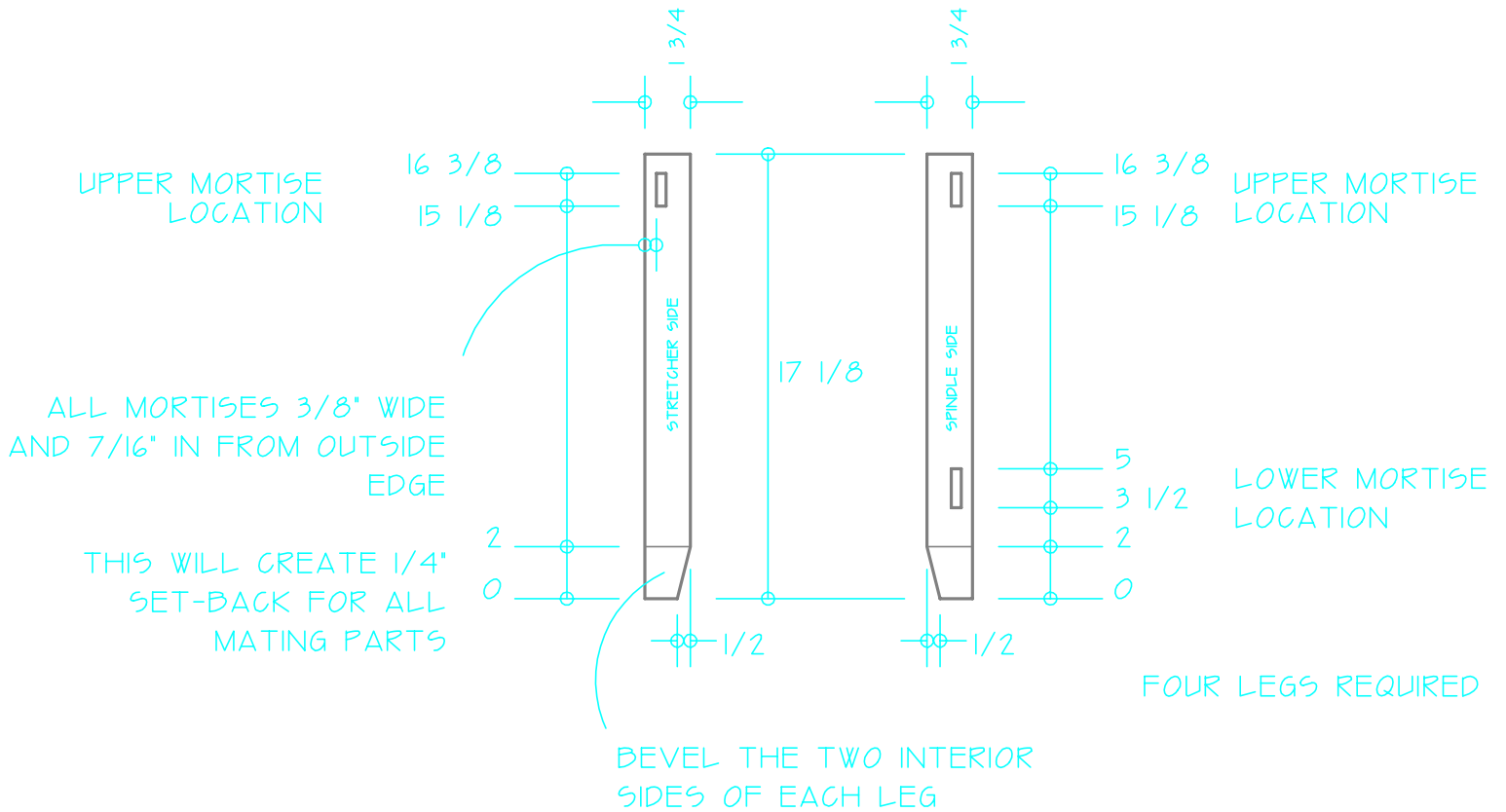
PLATE THREE

DEC 10, 2002 COFFEE.GCD

<http://benchmark.20m.com>

REV A

LEG



Benchmark

MISSION STYLE COFFEE TABLE

Philip Bumbalough

PLATE FOUR

DEC 10, 2002 COFFEE.GCD

REV A

<http://benchmark.20m.com>