



Wow! I Made It.com

Chaise Lounge

This easy-to-make chaise lounge will become a favorite place for napping in the sun or reading a good book underneath a shade tree. Because it's on wheels, you can move it to any location you wish—even to the beach.



Special Tools and Techniques

- Dadoes

Materials and Supplies

- 30 linear feet of 2 x 4 pine
- 45 linear feet of 1 x 4 pine
- 25 linear feet of 1 x 2 pine
- 2 linear feet of 1"-wide dowel rod

Hardware

- 60 1-1/4" screws
- 12 1-1/2" screws
- 15 2-1/2" screws
- 50 3d x 1-1/4" nails
- 50 4d x 1-1/2" nails
- 2 3/8"x 2" carriage bolts with matching washers and nuts
- 2 3/8"x 3" carriage bolts with matching washers and nuts
- 2 1/2" x 4" machine bolts with matching washers and nuts
- 2 7"-diameter wheels (the type used for lawn mowers)

Cutting List

Code	Description	Qty.	Materials	Dimensions
A	Side	2	2 x 4 pine	80" long
B	Front/Back	2	2 x 4 pine	24" long
C	Front Leg	2	2 x 4 pine	14" long
D	Back Leg	2	2 x 4 pine	12" long
E	Leg Support	1	2 x 4 pine	24" long
F	Inner Support	2	1 x 2 pine	44" long
G	Slat	11	1 x 4 pine	24" long
H	Inner Rack	1	1 x 4 pine	19" long
I	Short Back Support	2	1 x 2 pine	22-3/8" long
J	Long Back Support	2	1 x 2 pine	31-1/2" long
K	Back Slat	8	1 x 4 pine	23-7/8" long
L	Rod	1	1" dowel rod	23-7/8" long
M	Extender	2	1 x 2 pine	15" long

Making the Frame

1. Cut two sides (A) from 2 x 4 pine, each measuring 80" long.
2. Cut two dados across the width of side (A), as shown in *Figure 1*. Each dado is 3-1/2" wide and 3/4" deep.
3. Cut two front/back (B) from 2 x 4 pine, each measuring 24" long.

- Place the sides (A) on a level surface, parallel to each other and 24" apart. The dadoed surfaces should be facing each other. Place the two front/back (B) between the two sides (A), as shown in *Figure 2*. Screw through the sides (A) into the ends of the fronts/back (B), using two 2-1/2"-long screws on each joint.

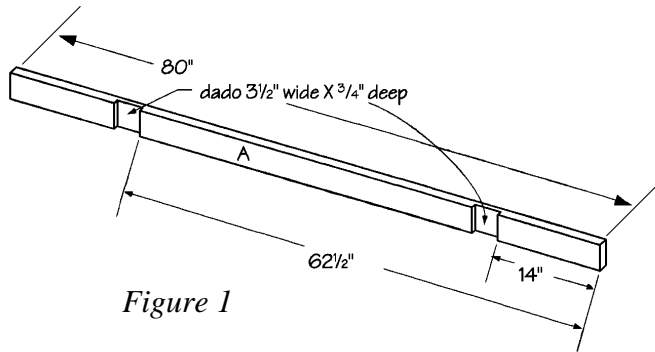


Figure 1

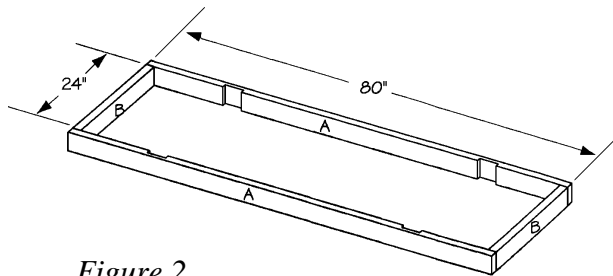


Figure 2

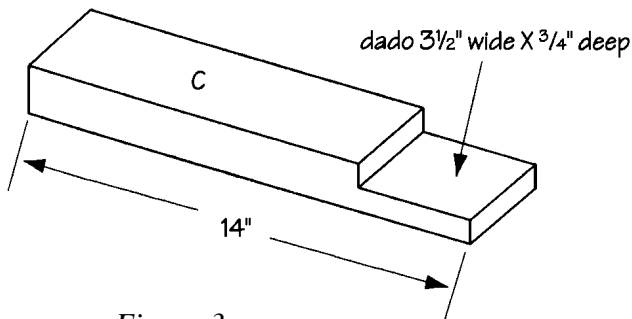


Figure 3

Adding the Legs

- Cut two front legs (C) from 2 x 4 pine, each measuring 14" long.
- Cut a lap dado on one end of a front leg (C), measuring 3-1/2" wide and 3/4" deep, as shown in *Figure 3*. Repeat the procedure to cut a lap dado on the remaining front leg (C).
- Apply glue to the meeting surfaces and fit the dado in one front leg (C) into the dado 14" from the end of one side (A), as shown in *Figure 4*. Screw through the dadoed portions of both the front leg (C) and side (A), using two 1-1/4"-long screws on each side of the joint. Repeat the procedure to attach the remaining front leg (C) to the opposite side (A).
- Cut two back legs (D) from 2 x 4 pine, each measuring 12" long.
- Cut a lap dado on one end of a back leg (D), measuring 3-1/2" wide and 3/4" deep, as shown in *Figure 5*.
- Drill a 1/2" hole through the opposite end of the back leg (D). The hole should be centered on the wide surface of the back leg (D), and 1-1/2" from the end of the back leg (D).
- Apply glue to the meeting surfaces and fit the dado in one back leg (D) into one of the remaining dados in the side (A), as shown in *Figure 4*. Screw through the dadoed portions

of both the back leg (D) and side (A), using two 1-1/4"-long screws on each side of the joint. Repeat this procedure to attach the remaining back leg (D).

8. Cut one leg support (E) from 2 x 4 pine, measuring 24' long.
9. Fit the leg support (E) between the two back legs (D), 5-1/2" from the bottom of the leg, as shown in *Figure 4*. Screw through the back legs (D) into the end of the leg support (E), using two 2-1/2"-long screws on each joint.

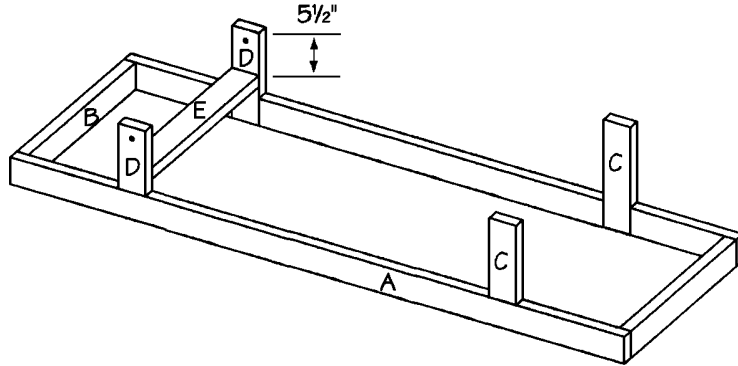


Figure 4

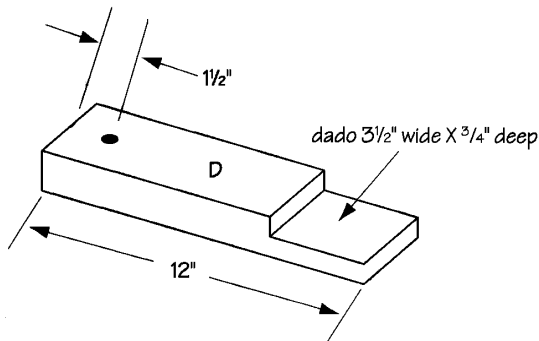


Figure 5

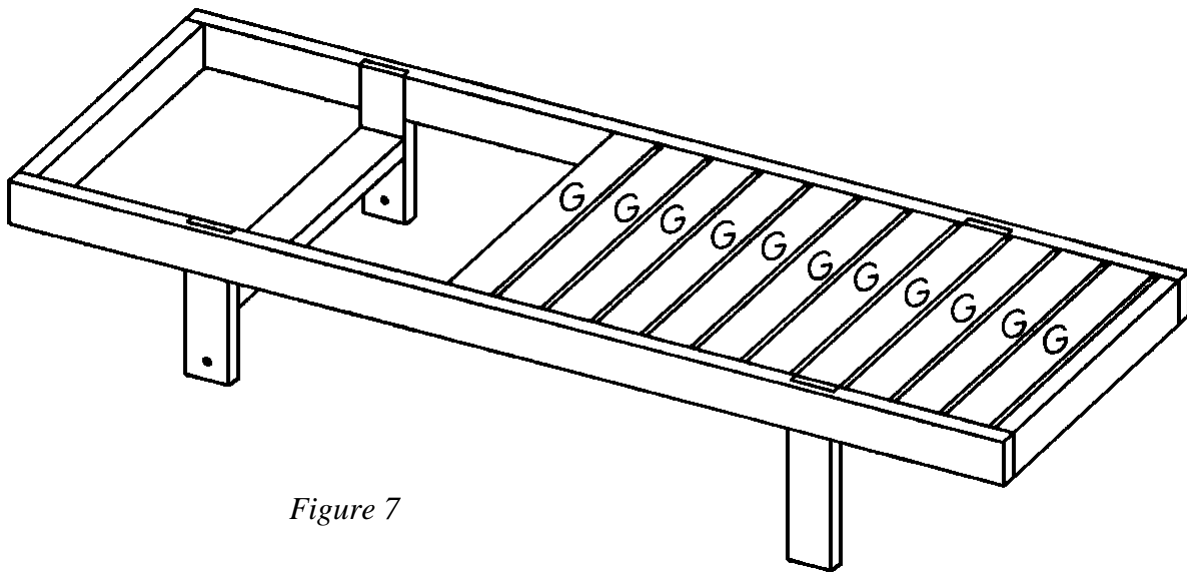
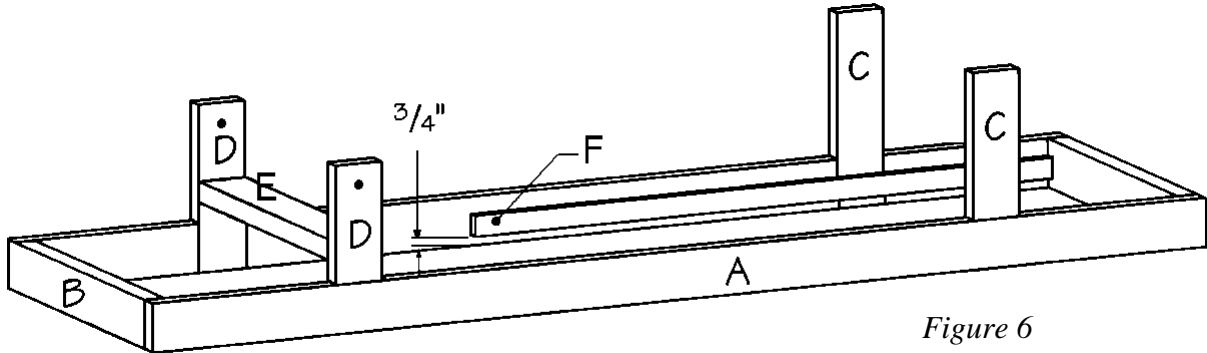
Adding the Front Slats

1. The chaise consists of two parts: the front leg area, which is stationary; and the backrest area, which is adjustable. The front leg area consists of slats set over inner supports. Cut two long inner supports (F) from 1 x 2 pine, each measuring 44" long.
2. Apply glue to the meeting surfaces and attach one inner support (F) 3/4" below the top edge of the inner side (A), as shown in *Figure 6*. Screw through the inner support (F) and into the side (A), using 1-1/4"-long screws spaced about every 4 or 5 inches. Repeat this procedure to attach the second inner support (F) to the opposite inner side (A).

Adding the Slats

1. Cut 11 slats (G) from 1 x 4 pine, each measuring 24" long.

2. Attach one slat (G) over the inner supports (F), $\frac{1}{2}$ " from the front/back (B), as shown in *Figure 7*. Nail through the end of the slat (G) into the inner supports (F). Use two 1- $\frac{1}{4}$ " long nails on each joint.
3. Repeat the same procedure to attach the remaining 10 slats (G) on top of the inner supports (F), spacing each slat $\frac{1}{2}$ " from the previous one.



Making the Inner Rack

1. The angle of the chaise back is adjusted by placing a wooden rod into your choice of multiple slots in the inner rack. Cut one inner rack (H) from 1 x 4 pine, measuring 19" long.
2. Drill six 1"-diameter holes 2 inches apart along the length of the inner rack (H), beginning 1- $\frac{1}{2}$ " from the end, as shown in *Figure 8*. These holes must be centered width-wise on the 1 x 4.

- Cut the inner rack (H) in half lengthwise along the dotted line shown in *Figure 8*, cutting through the center of all six drilled holes. The resulting two half-pieces will now provide the slots for the chaise back adjustment.

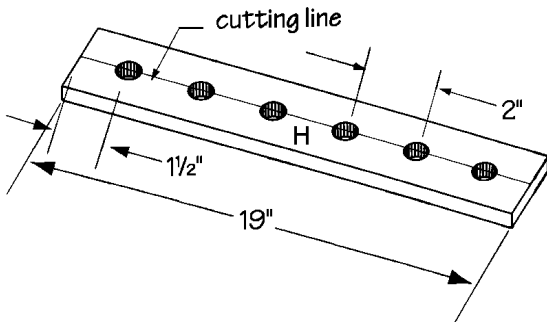


Figure 8

- Attach one half-piece (drilled half-circles up) 2-1/4" from the top of the lower edge of side (A), 1-1/2" from the front/back (B), as shown in *Figure 9*. Note that the half-piece will extend below the lower edge of side (A). Apply glue to the meeting surfaces, and use four evenly spaced 1-1/2"-long screws along the length to attach the inner rack (H) to the side (A). Repeat this procedure to attach the remaining half-price (H) to the opposite side (A).

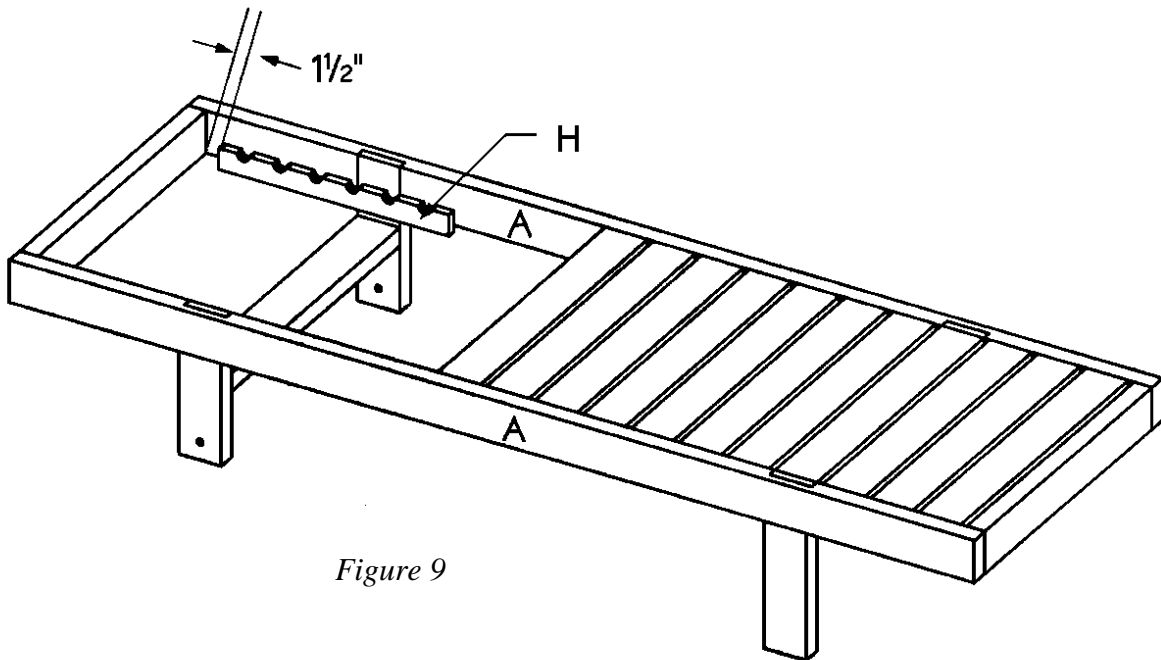


Figure 9

Making the Chaise Back

- Cut two short back supports (I) from 1 x 3 pine, each measuring 22-3/8" long.
- Cut two long back supports (J) from 1 x 2 pine, each measuring 31-1/2" long.
- Measure 13-1/2" from one end of each long back support (J) and center a mark on the wide face. Drill a 1 3/4" countersink 1/4" deep. Then drill a 3/8" hole through the back support (J), as shown in *Figure 10*.

- Place the two long back supports (J) on a flat surface, parallel to each other and $22\frac{3}{8}$ " apart. Fit the two short back supports (I) between the two long back supports (K), as shown in *Figure 10*. Nail through the long back supports (J) into the ends of the short back supports (I), using two $1\frac{1}{2}$ "-long nails on each joint.
- Cut eight back slats (K) from 1 x 4 pine, each measuring $23\frac{7}{8}$ " long.
- Fit the back slats (K) over the assembled frame, spacing the $\frac{1}{2}$ " apart, in the same manner that you used to attach the 11 slats (G). Nail through the end of the back slats (K) into the edges of the two long inner supports. Use two $1\frac{1}{2}$ "-long nails on each joint.

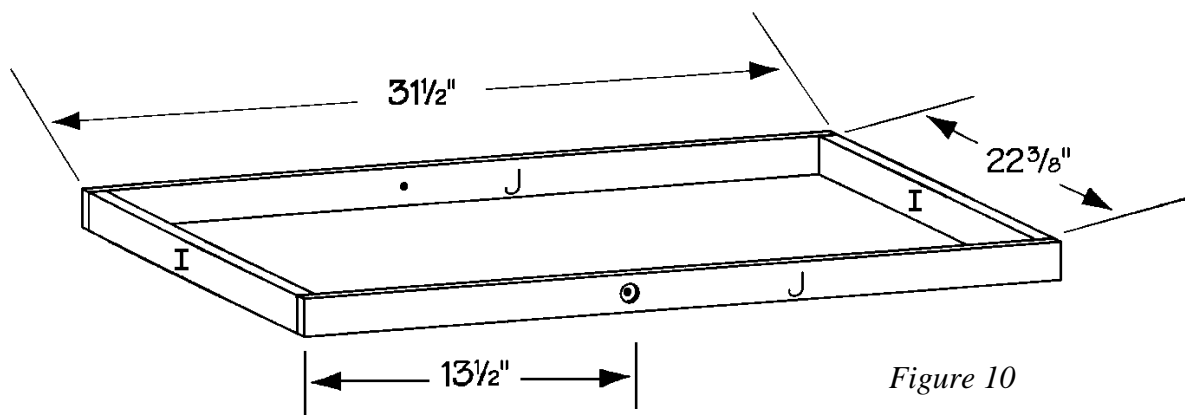


Figure 10

Making the Rod Assembly

- Cut one rod (L) from 1"-diameter dowel rod to a length of $23\frac{7}{8}$ ".
- Cut two extenders (M) from 1 x 2 pine, each measuring 15" long.
- Drill a 1"-diameter hole through one end of one extender (M), as shown in *Figure 11*. Then round off the end of the extender around the hole that you just drilled.
- Shape the opposite end of the extender (M) by cutting off both corners, and drill a $\frac{3}{8}$ " hole in that same end, as shown in *Figure 11*.
- Thread the rod (L) through the 1-inch holes you drilled in each of the extenders (M). Make certain that the rod length on each side of the extenders is equal. Then nail through each extender into the rod, using a $1\frac{1}{2}$ "-long nail.
- Place the extenders inside the chaise back, matching the drilled holes. Secure them by inserting a 2"-long bolt through the chaise back and then through the extender (M). Add a washer and nut, and tighten securely.

- The finished chaise consists of the assembled back portion, which can be raised or lowered, and the slats that accommodate the legs. A hole must be drilled through the chaise and the back assembly to accommodate a bolt that enables the back to be raised and lowered.

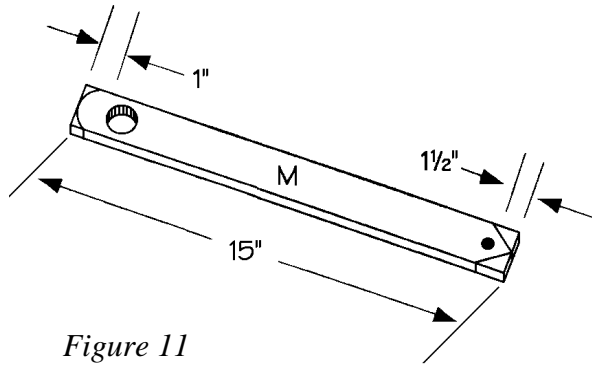
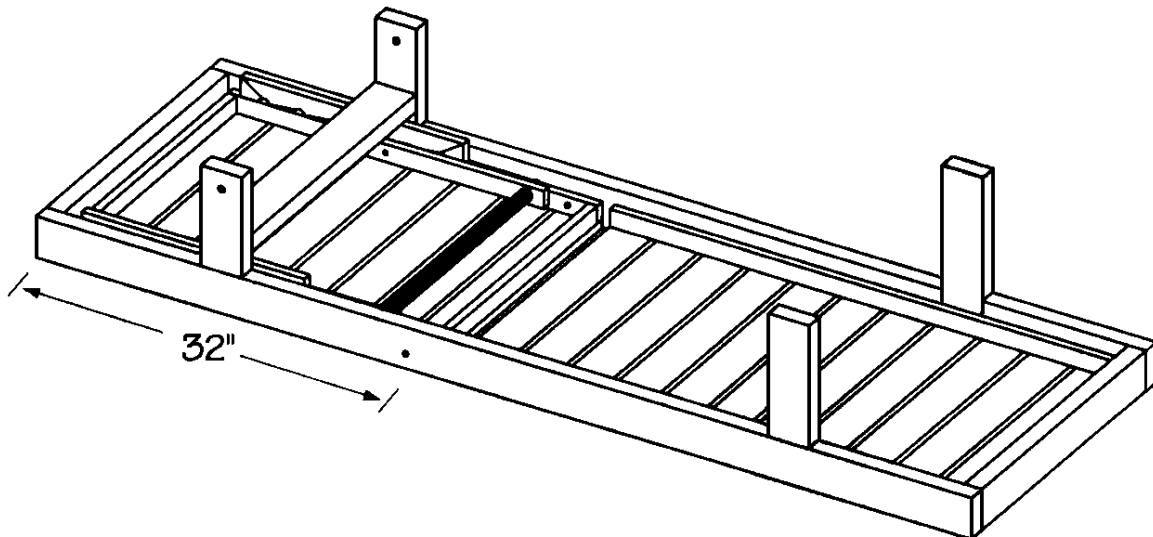


Figure 11

- To add the back portion to the assembled chaise, place the assembled chaise upside down on a level surface. Holding the assembled chaise back upside down fit it underneath the leg support (E), between the two sides (A), so that the back slats (K) rest against the work surface, as shown in Figure 12. Clamp the long back supports (J) to the sides (A) to hold them securely while you drill a hole.

- Measure down 32 inches from the rear of the chaise on side (A), and drill a hole through both sides (A) and through the long back support (J), large enough to accommodate a 3"-long bolt. Insert the bolt through the side (A) and through the long back support (J). Add a washer and nut, and tighten securely.



Finishing

- Thread a washer over a 4" bolt. Then fit the bolt through one wheel and through the drilled hole in the back leg (D). Add a washer and nut, and tighten. Repeat this procedure to attach the remaining wheel to the opposite back leg (D).
- Thoroughly sand the completed chaise.

3. We wanted a natural appearance for our chaise so we didn't even fill the holes. However, if you wish a more finished look, fill all of the screw holes and cracks with wood filler, and sand again. You can leave the chaise its natural color or stain or paint it whatever color you wish.

**Try other great indoor and outdoor projects from
!**

