



Plate Rack

This plate rack is a perfect place to display your collectible plates. Or hang it in a convenient spot on your kitchen wall and store your most frequently used dishes and cups.



Materials

- 3 linear feet of 1 x 8 pine
- 10 linear feet of 1 x 6 pine
- 5 linear feet of 1 x 4 pine
- 10 linear feet of 3/8"-diameter dowel rod

Hardware

- 20 1-5/8" wood screws
- 4 hanging hooks

Cutting List

Code	Description	Qty.	Materials	Dimensions
A	Rack Sides	2	1 x 6 pine	26" long
B	Rack Top/Bottom	2	1 x 6 pine	24-1/2" long
C	Rack Middle	1	1 x 4 pine	24-1/2" long
D	Rack Ledge	1	1 x 8 pine	28" long
E	Rack Base	1	1 x 4 pine	24-1/2" long
F	Dowel	4	3/8" dowel rod	25" long

Special Tools and Techniques

Clamps

Making the Rack

1. Cut two Rack Sides (A) from 1 x 6 pine, each measuring 26 inches.
2. Using *Figure 1* as a guide, clamp both Rack Sides (A) together to hold them while cutting out a quarter-circle from the ends of the Rack Sides (A).

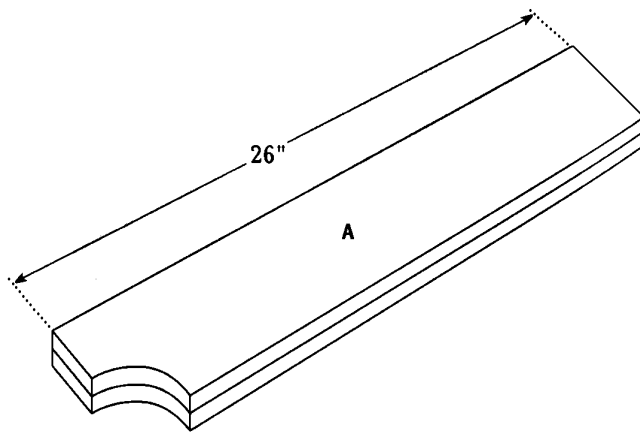


Figure 1

3. Using *Figure 2* as a guide, mark the positions for the dowel rod holes. Using a 3/8-inch-diameter drill bit, drill into the marked spots 3/8" deep. (Placing a piece of masking tape around the bit 3/8" from the tip can do this.)
4. Cut two Rack Top/Bottom (B) from 1 x 6 pine, each measuring 24-1/2 inches.
5. Place the two Rack Sides (A) on edge on a level surface parallel to each other and 24-1/2 inches apart. As shown in *Figure 3*, place one Rack Top/Bottom (B) perpendicular between the Rack Sides (A) 4-1/2 inches up from the cut ends of the Rack Sides (A). Place the remaining Top/Bottom between the Rack Sides (A). Apply glue to the meeting surfaces, and screw through the face of the Rack Sides (A) into the ends of the Rack Top/Bottoms (B), using three 1-5/8" screws on each side.
6. Cut one Rack Middle (C) from 1 x 4 pine, measuring 24-1/2 inches long
7. Place the Rack Middle (C) perpendicular between the Rack Sides (A) 13 inches above the cut ends of the Rack Sides (A) and screw in place.
8. Cut one Rack Ledge (D) from 1 x 8 pine, measuring 28 inches.

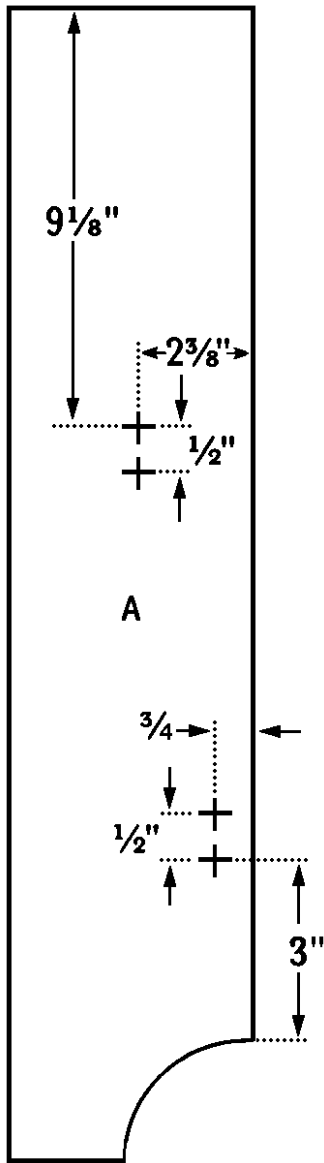


Figure 2

9. Place the Rack Ledge (D) over the ends of the Rack Sides (A) as shown in *Figure 4*. Apply glue to the meeting surfaces. Screw through the face of the Rack Top (D) into the ends of the Rack Sides (A) using three 1-5/8" screws on both ends.
10. Cut one Rack Base (E) from 1 x 4 pine measuring 24-1/2 inches.
11. Place the Rack Base (E) below the Rack Bottom (B) between the Rack Sides (A) as shown in *Figure 5*. Apply glue to the meeting surfaces. Screw through the face of the Rack Sides (A) into the end of the Rack Base (E). Also screw through the face of the Rack Bottom (B) into the edge of the Rack Base using three 1-5/8" screws on both sides.

Adding the Dowel Rods

1. Cut four Dowels (F) from 3/8-inch diameter dowel rod, each measuring 25 inches.
2. Wipe a small amount of glue in the holes drilled in the Rack Sides (A). Place one end of the dowel rod into one Rack Side (A) and slightly bending the rod, place the other end into the opposing hole on the other Rack Side (A).

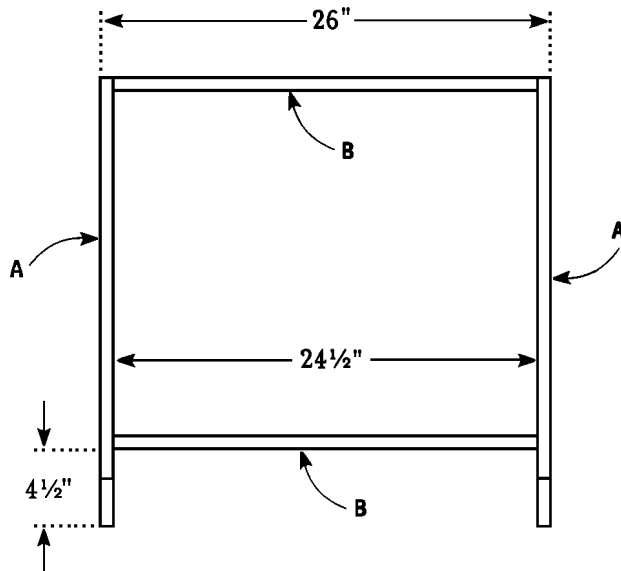


Figure 3

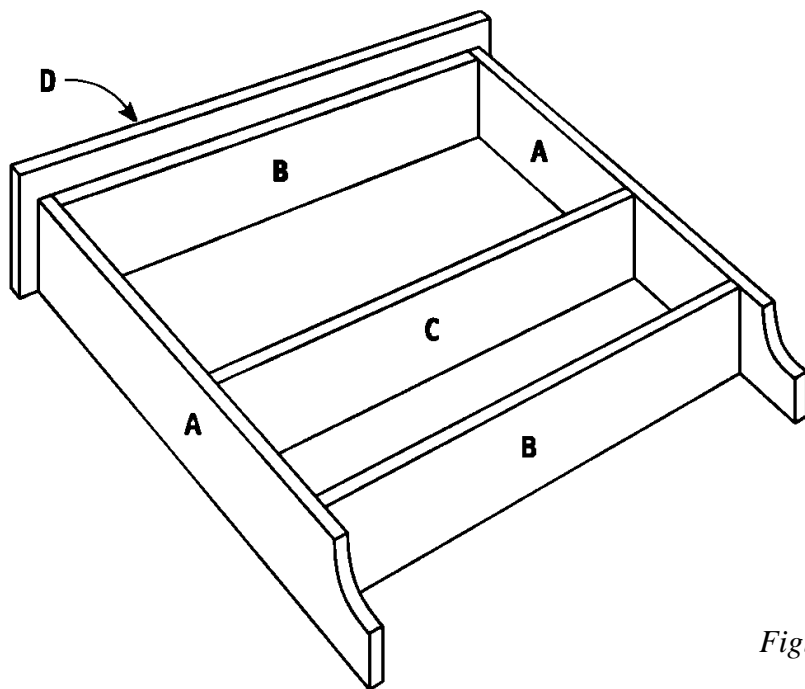


Figure 4

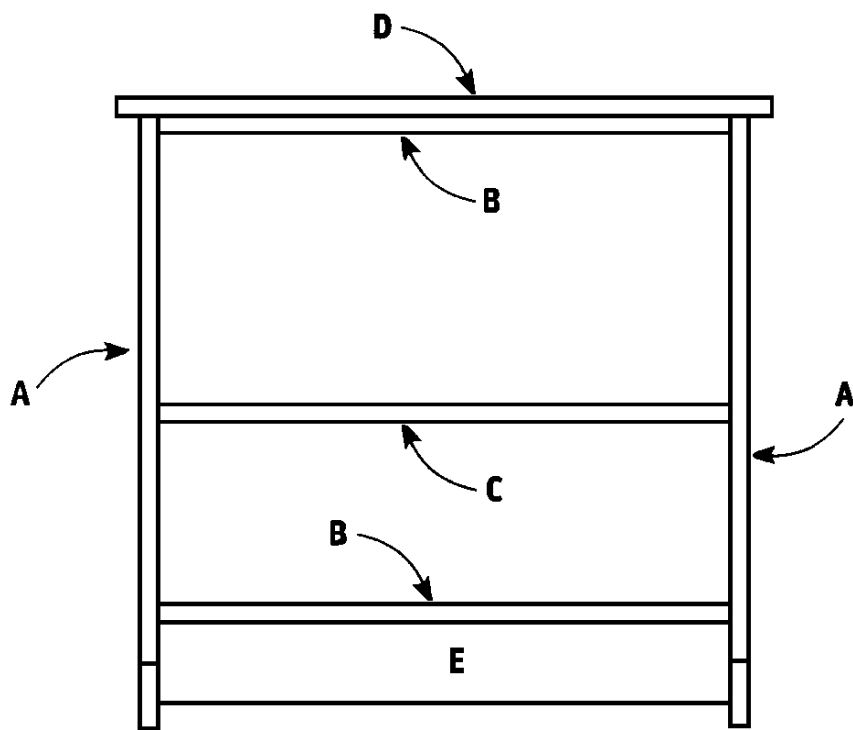


Figure 5



Finishing

1. Fill any cracks, crevices, or screw holes with wood filler.
 2. Thoroughly sand all surfaces of the completed plate rack.
 3. Seal and paint or stain your completed plate rack the color of your choice.
4. Attach the hooks to the Rack Base (E). Then stand back and admire!



Enjoy other indoor and outdoor projects from

!

