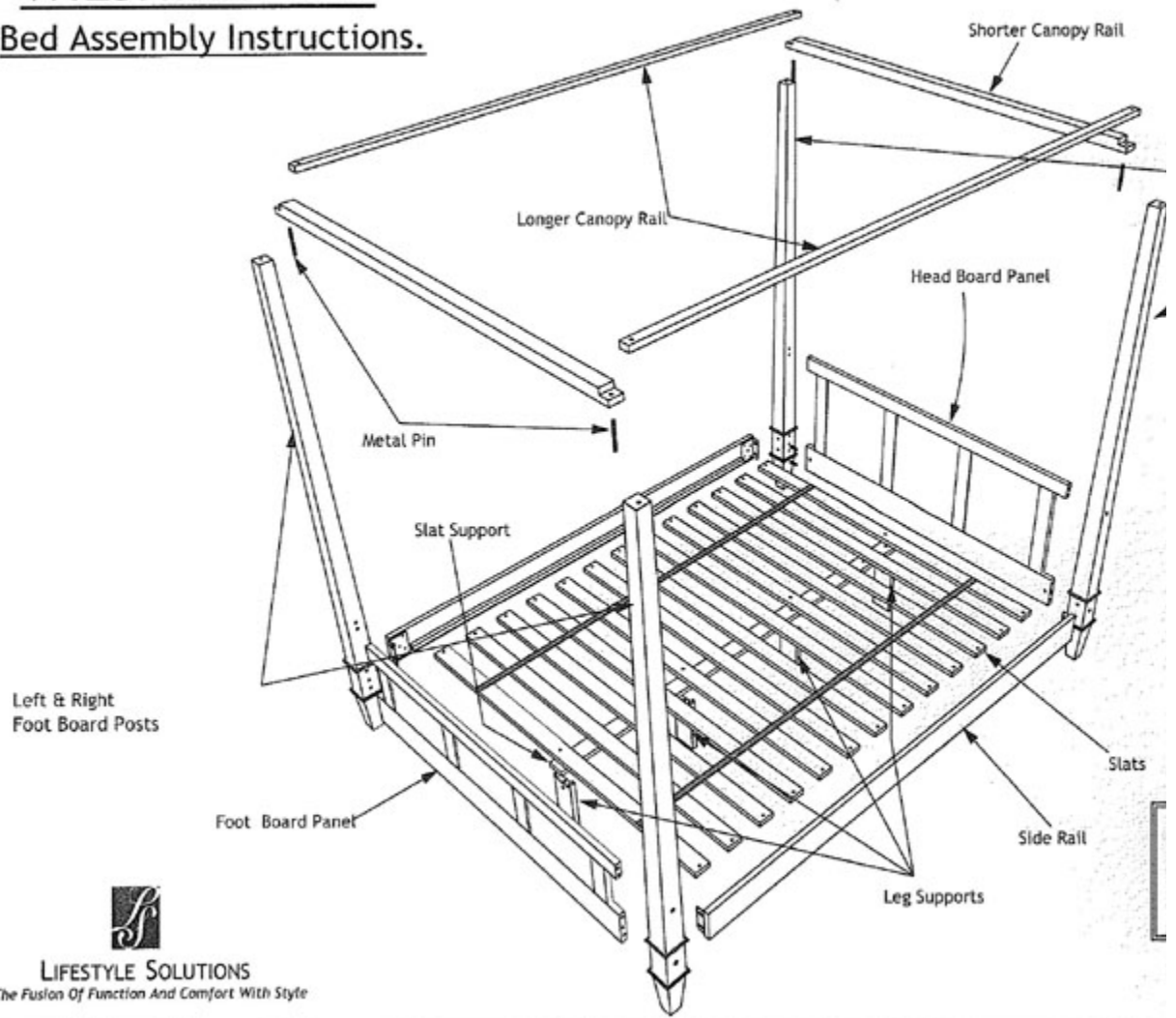


WILSHIRE BED

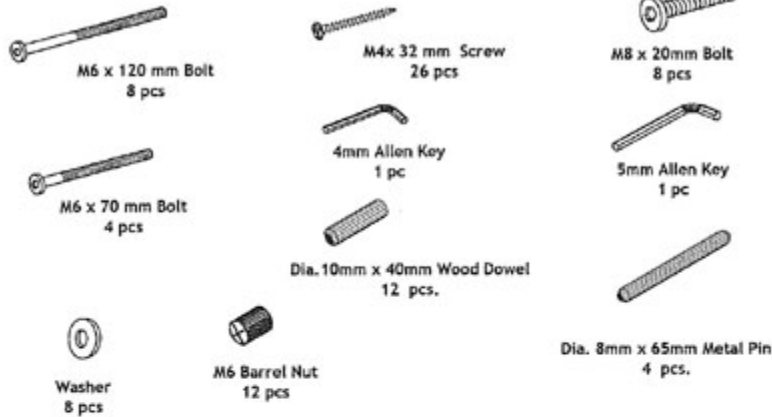
Bed Assembly Instructions.



LIFESTYLE SOLUTIONS
The Fusion Of Function And Comfort With Style

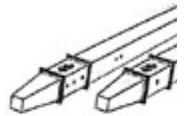
WILSHIRE BED
ASSEMBLY INSTRUCTIONS

Hardware Pack In Box # 3



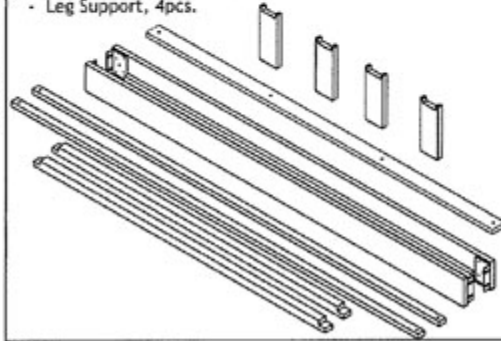
Parts (box # 1)

- Head Board Post Left & Right (HBL & HBR)
- Foot Board Post Left & Right (FBL & FBR)



Parts (box # 3)

- Side Rail, 2 pcs.
- Slat Support, 1 pc.
- Longer Canopy Rail, 2 pcs.
- Shorter Canopy Rail, 2 pcs.
- Leg Support, 4 pcs.



Parts (Slats Box)

- Slat with center hole, 4 pcs.
- Slat without center hole, 9 pcs.



HB Part
PLEASE REMOVE AFTER

Head & Foot Board



LIFESTYLE SOLUTIONS
The Fusion Of Function And Comfort With Style

Bed Assembly Instructions

WILSHIRE BED

Step 2/Diagram 1

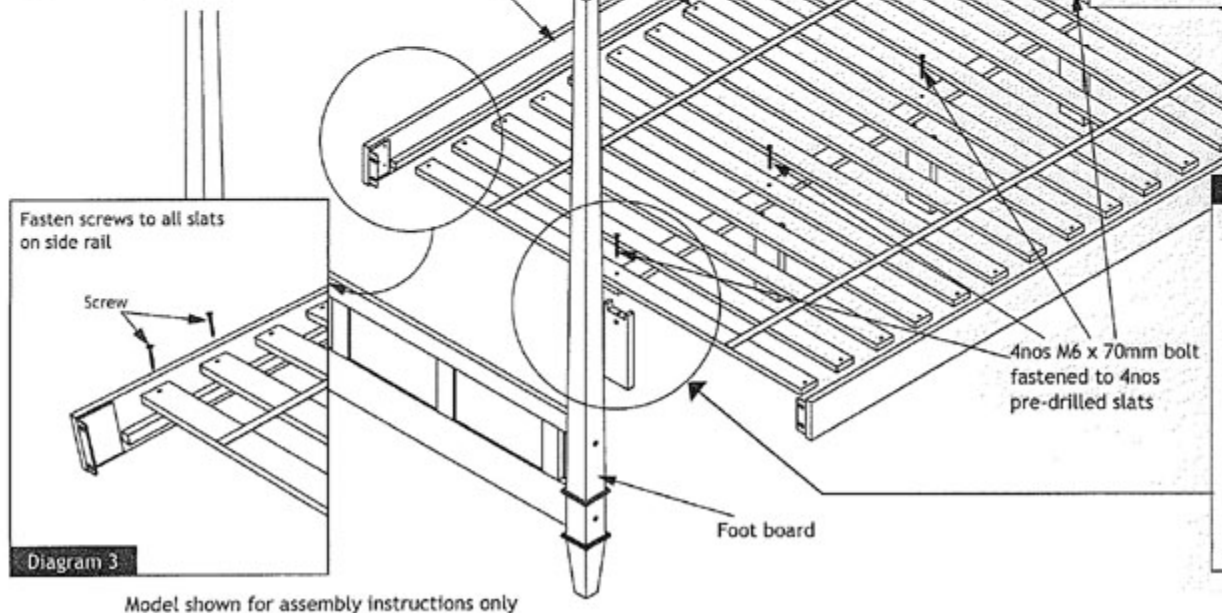
Fix both Side Rails to the Head Board and Foot Board as shown in diagram 1 with the 20mm bolts and washers.

Step 3/Diagram 2

Secure the pre-drilled slats to the slats support and support legs with 4nos M6 x 70mm bolt as shown in diagram 2.

Step 4/Diagram 3

Place both ends of the assembled slats into the bed frame resting on side rails and screw them in place with the 32mm screws provided as shown in diagram 4.



Model shown for assembly instructions only


LIFESTYLE SOLUTIONS
The Fusion Of Function And Comfort With Style

Page 4 of 5

Bed Assembly Instructions

WILSHIRE BED

Step 5/Diagram 4

Attach the metal pin onto hole on top of Head Board Post and Foot Board Post.
Attach the shorter canopy rail on top of Head Board Post and Foot Board Post first,
then attach the longer canopy rails as shown.

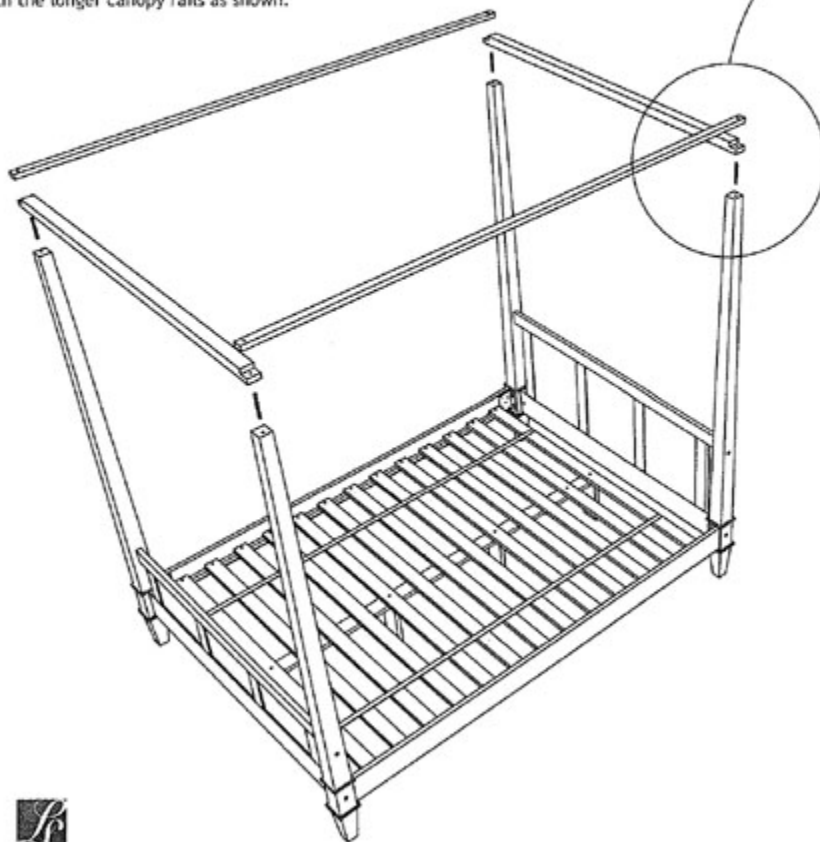


Diagram 4

Longer ca

Shorter ca



LIFESTYLE SOLUTIONS

The Fusion Of Function And Comfort With Style