

# Project 16136EZ: Folding Deck Chair

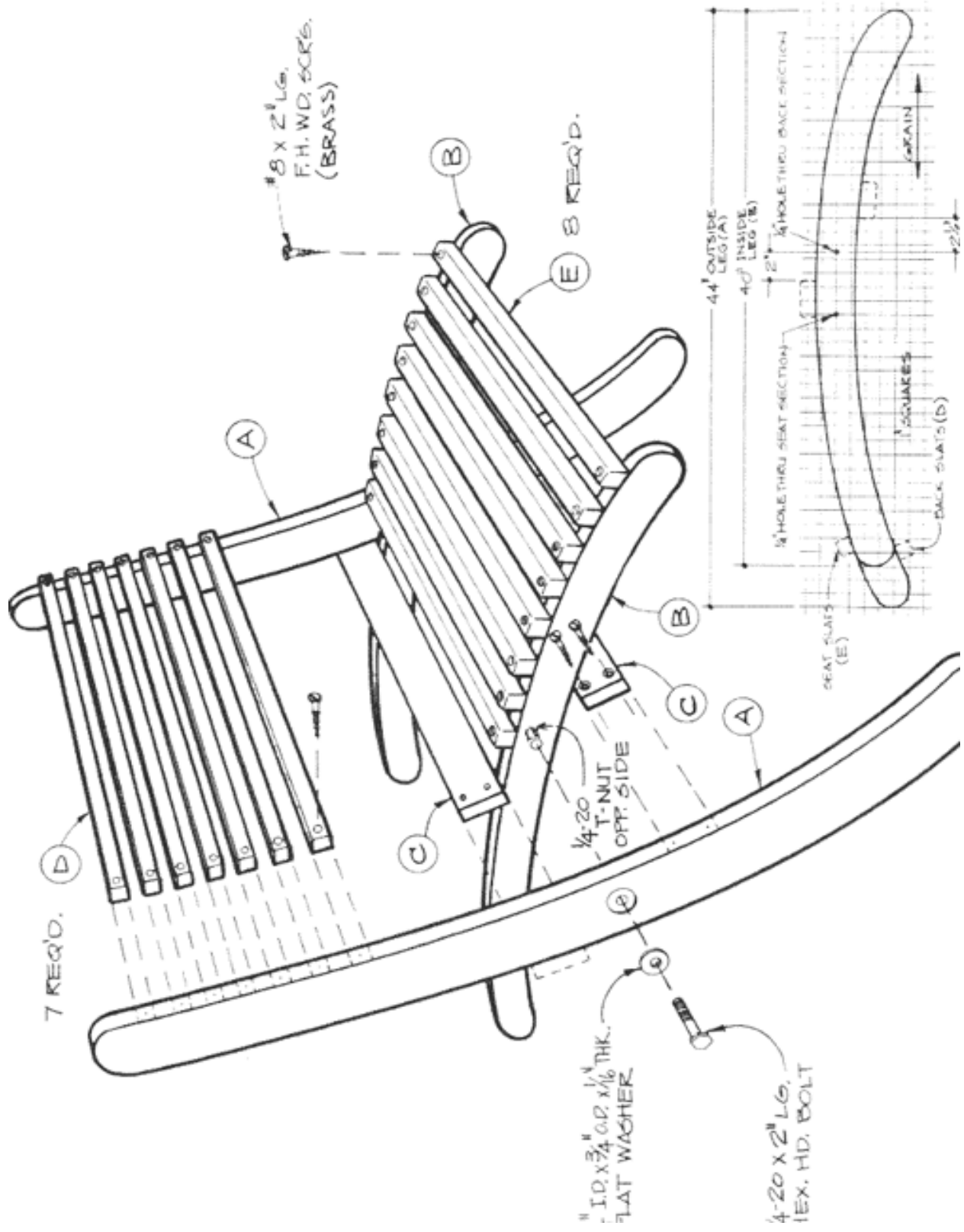


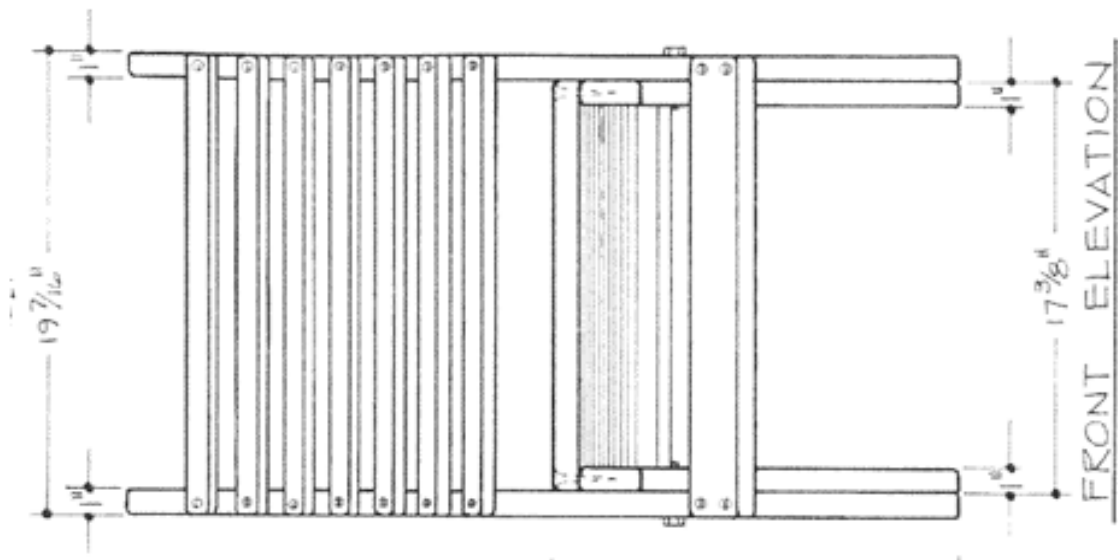
*With that long awaited summer weather soon to be here, we're sure that you'll find many ways to put this sturdy outdoor chair to good use. It folds nearly flat, a feature we particularly like since it makes the chair easy to carry and store. We used clear redwood for ours, a wood that offers good weather resistance, no small consideration for a piece that will often be out-of-doors. And for the same reason, be sure to use brass screws (they don't rust) and a water-resistant glue such as plastic resin. We chose not to stain our chair since the natural color of the redwood is quite attractive, but if you plan to stain yours, it's best to do so before the chair is assembled.*

## Folding Deck Chair Materials List

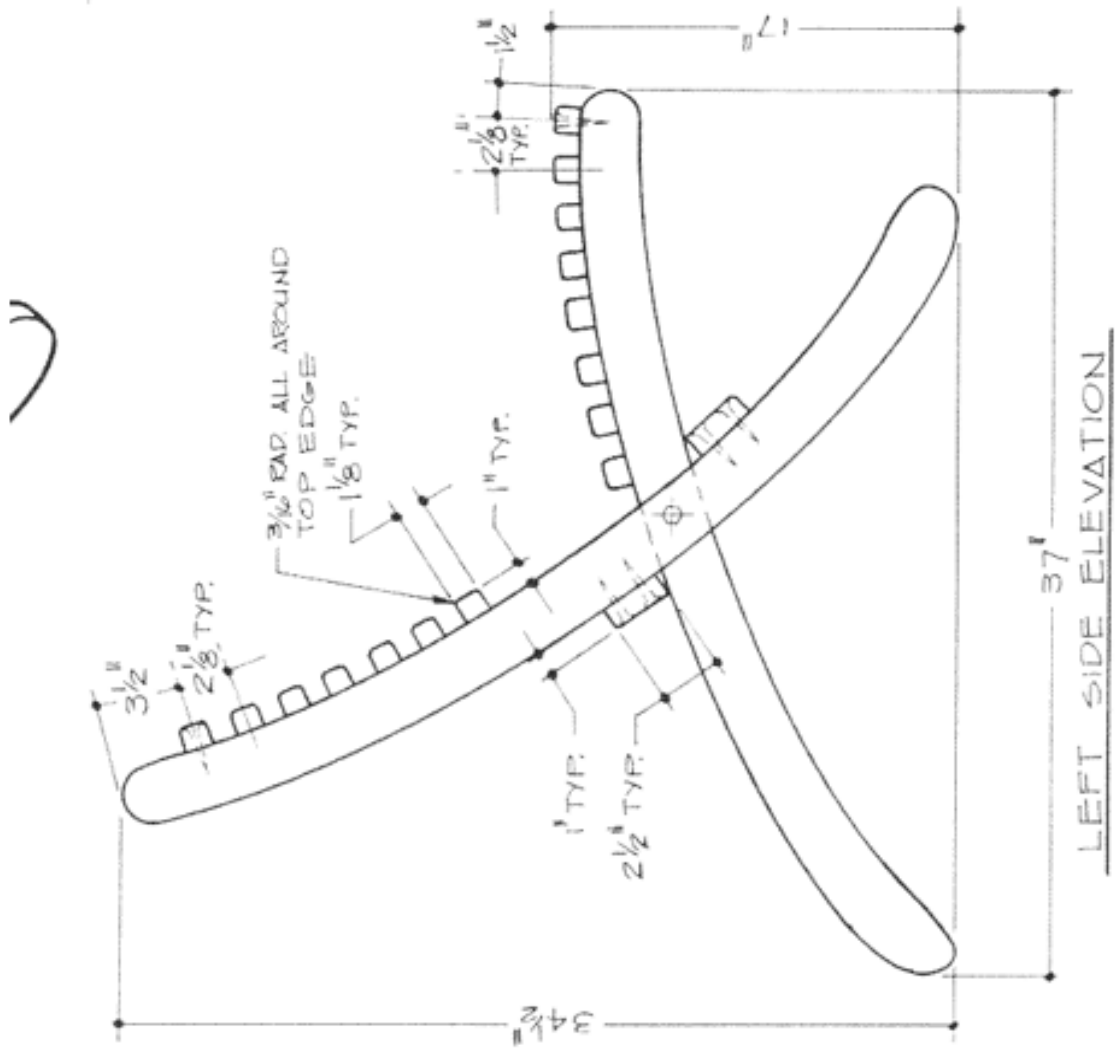
| Part | Description | Size                   | No. Req'd |
|------|-------------|------------------------|-----------|
| A    | Outside Leg | 1" x 7" x 44"          | 2         |
| B    | Inside Leg  | 1" x 7" x 40"          | 2         |
| C    | Cleat       | 1" x 2-1/2" x 19-7/16" | 2         |
| D    | Back Slat   | 1" x 1-1/8" x 19-7/16" | 7         |
| E    | Seat Slat   | 1" x 1-1/8" x 17-3/8"  | 8         |

# Folding Deck Chair Complete Schematic





FRONT ELEVATION



LEFT SIDE ELEVATION

# Folding Deck Chair Step-by-Step Instructions

1. Cut 1" stock (at least 7" wide) into two pieces 40" long (Parts B) and two pieces 44" long (Parts A).
  2. Transfer the profile of the outside leg from the grid pattern shown to one of the 44" long pieces (Part A).
  3. Use a band saw or saber saw to cut Parts A just outside the marked line.
  4. Use a file and sandpaper to smooth the edge exactly to the marked line.
  5. Use this piece as a template to trace its profile onto the three remaining pieces of Parts A and B. **NOTE: Keep in mind that Parts B are shorter than Parts A.**
  6. Cut the three remaining pieces using the same procedure as in the first.
  7. Mark the location of the 1/4" diameter pivot holes on each leg (see grid pattern).
  8. Use a drill press to bore each hole as shown.
  9. Cut 1" thick stock to 2-1/2" wide by 19-7/16" long (Parts C).
  10. Use glue and 2" by number 8 brass flat head wood screws (countersunk about 1/8") to attach Parts C to Parts A and B. **NOTE: To prevent splitting of Parts C, drill holes large enough to accommodate the shank of the screw before attaching.**
  11. Cut Parts D and E from 1" thick by 1-1/8" wide stock.
  12. Use glue and screws to attach Parts D and E using the same procedure as in joining Parts C.
  13. Sand all parts thoroughly, rounding all sharp edges and corners.
  14. Apply stain (optional) and three coats of varnish to protect from the elements.
  15. Install a "tee-nut" to the inside of Part B.
  16. Thread a 2" long, 1/4-20 hex head bolt and washer from the outside as shown.
-