

NOTICE

The purchaser agrees when purchasing this plan (the "Plan"); the purchaser has acquired the right to build or construct the project or project set out in the Plan for personal use only and not for any commercial use. 2) reproduction of the Plan in whole or in part by any means whatsoever is strictly prohibited. The Homeplan should not be liable for any willful misuse or negligent use of this plan, the Project or any tools used to construct the Project or for any loss or damage resulting therefrom.

NOTE: Read all directions before beginning

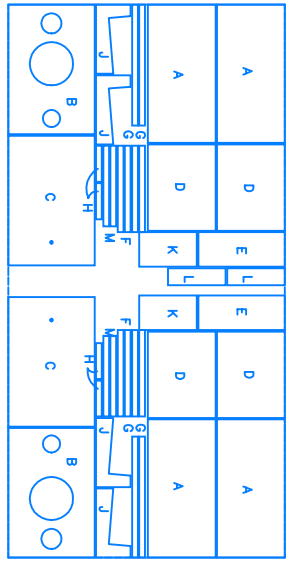
Carpenters Glue should be used to reinforce all joints
 Countersink all screws
 Dimensions in brackets denote millimeters

Directions

- 1) Lay out your material as outlined in the suggested material layout (Fig 1). Draw out all parts exactly as illustrated in cutting diagram (Fig 2), including the letter designations, in pencil. Ensure to leave a small space between cut lines to allow for the width of the saw. Before cutting, double check all measurements to ensure they are correct. If you are using a circular saw, use a circular saw guide (illustration 1) either a tablesaw or by using a circular saw guide (illustration 1).
- 2) Pre-drill pieces F with twelve 1/8" holes, three each evenly spaced. Countersink with a 3/8" drill bit to a depth of 1/8". Place pieces F on D as shown (Fig 3) and drill into pieces D, through the holes you drilled in F, with a 1/16" drill bit to a depth of 1/2". Glue and screw pieces F to pieces D with 1 1/4" drywall screws. Similarly, pre-drill a 1/8" bit and countersink with a 3/8" bit pieces G, H, and M with two holes in H, three holes in M, and four holes in G. Place on pieces A as shown (Fig 4), and drill into A, through the holes previously drilled, with a 1/16" drill bit to a depth of 1/2". Note that the pieces A are a mirror image of each other and pieces H and M will be on the front of the speaker. Glue and screw on these pieces with 1 1/4" drywall screws.

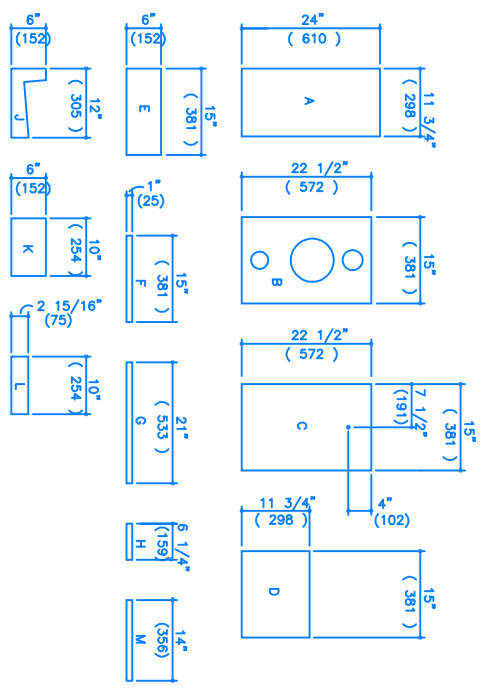
OVER

Note: This plan is sufficient for the construction of TWO cabinets

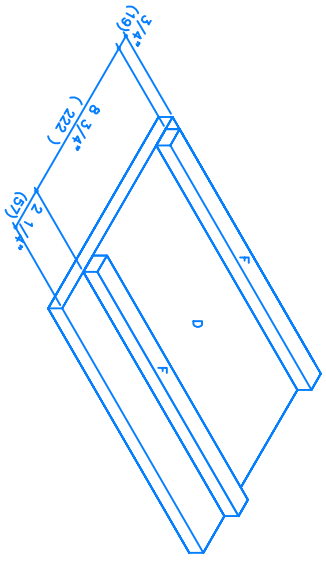


One sheet particle board

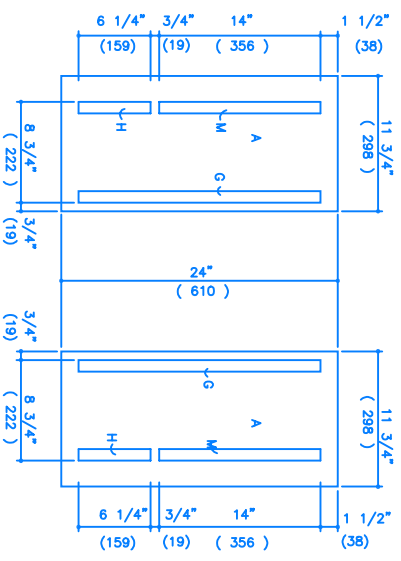
MATERIALS LAYOUT
FIGURE 1



CUTTING DIAGRAM
FIGURE 2



TOP & BASE ASSEMBLY
FIGURE 3



SIDES ASSEMBLY
FIGURE 4

MATERIALS LIST

One 4'x8' sheet 3/4" Plywood with particleboard core
 Approx. 1/2 lb. 1 1/2" drywall screws
 Approx. 1/2 lb. 1 1/4" drywall screws
 Approx. 1/2 lb. 1 1/4" finishing nails
 Roofing for
 Four batts of R12 fiberglass insulation

MATERIALS LIST

Carpenters glue
 Sledgehammer
 Sandpaper
 Non-oxid base solder and flux
 Two 8" woofers
 Two 4" midrange/tweeters (or slightly smaller)

MATERIALS LIST

Two crossovers (2000-4000HZ)
 Ferrite bead
 Wood filler
 Two speaker wire connection plates (optional)
 1 yard Speaker Material or grill foam