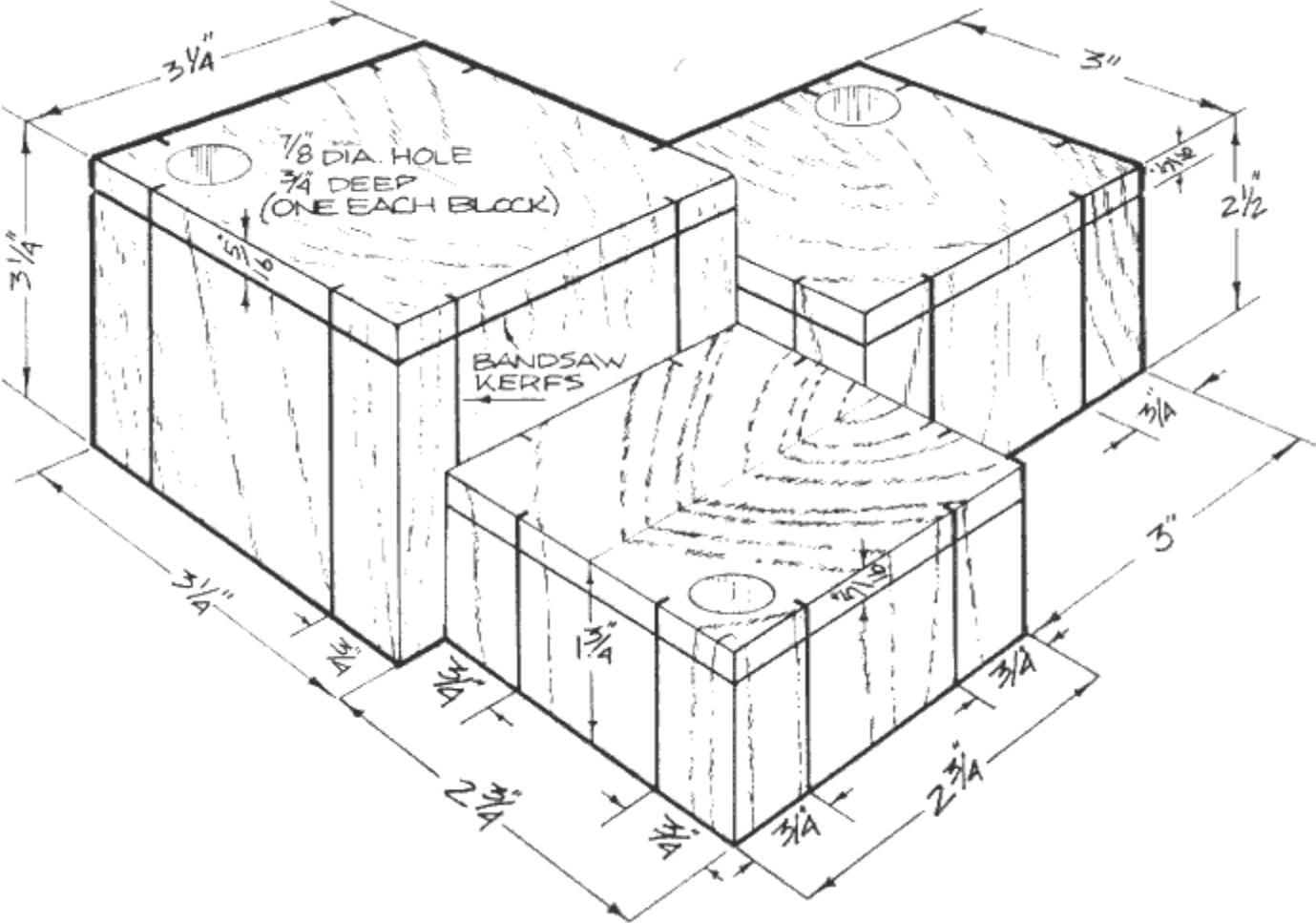


Project 12764EZ:
**Contemporary Candle
Holders**

An attractive candlestick holder is always a desirable accent for a dining room table or mantle. This simple arrangement of three different sized solid blocks is distinguished by a series of band saw kerfs that visually imitate the square lines in the blocks.

Although you may build the candlestick holder exactly as it is presented here, our intention was that this would be an ideal scrap wood project adaptable for most any type of wood or size scrap.

Contemporary Candle Holders Complete Schematic



Contemporary Candle Holders Step-by-Step Instructions

1. Start with three different size scraps of wood, with each scrap being one-half as thick as it is wide, and twice as long as the height of the block for which it is intended.
2. Cut each scrap in half.
3. Face-glue the halves together to form the individual blocks.
4. Use sections of plywood, each cut so that it acts as a guide for the blade, clamped to the band saw fence for the kerfing jigs as shown.
5. Cut the vertical kerfs $\frac{3}{4}$ " from the corners as shown in Figure 1.
6. Cut the horizontal kerfs $\frac{5}{16}$ " down from the top as shown in Figure 2.
7. Use a $\frac{7}{8}$ " Forstner bit to drill the candle holes.
8. Fine sand the blocks smooth.
9. Glue together as shown.
10. Allow the glue to dry.
11. Finish with several applications of tung oil.

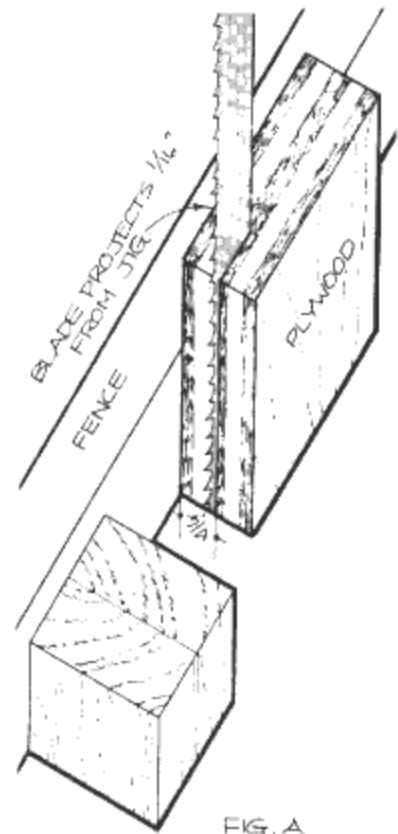


FIG. A

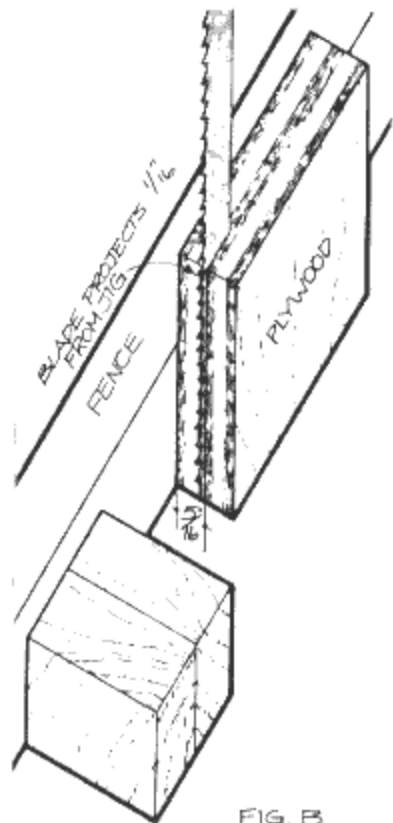


FIG. B