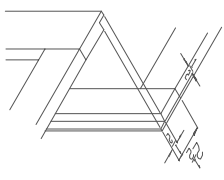


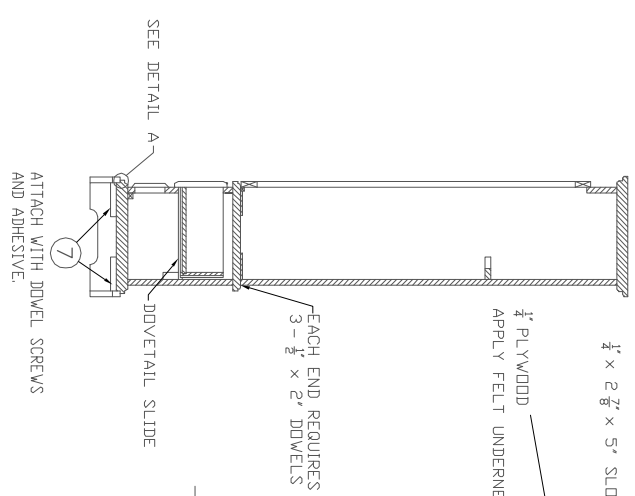
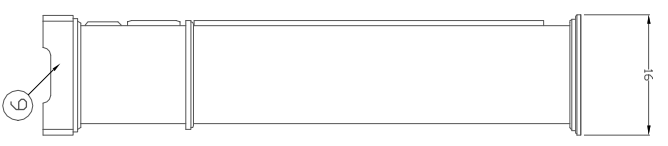
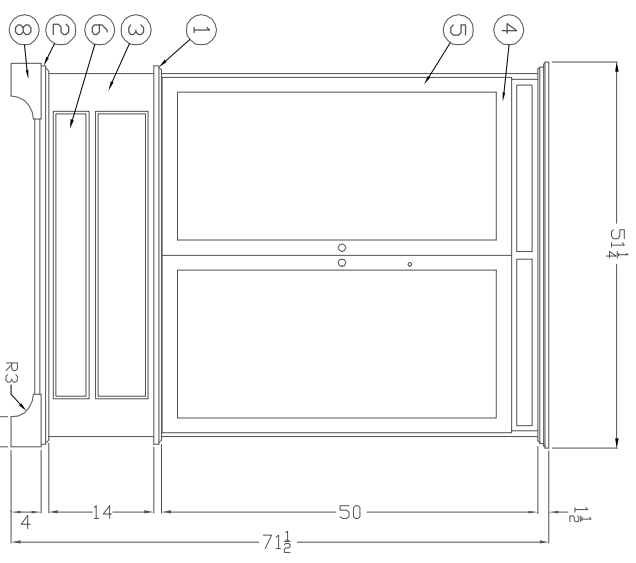
PARTS LIST		
NO	REQ	DESCRIPTION
1	1	CENTER PIECE
2	1	BOTTOM
3	1	DRAWER FASCIA
4	4	DOOR RAILS
5	4	DOOR STILES
6	2	STORAGE SPACE DOORS
7	4	TRIANGULAR LEG BRACE
8	4	LEG
9	2	LEG

DETAIL A

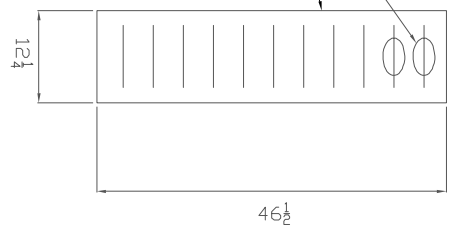
BARREL RACK



DETAIL B



BUTT RACK



HARSHMAN DRAFTING
BALTIMORE, MARYLAND

WILLIAM T. HUFFSTILLER
CARPENTER AND CRAFTSMAN

