



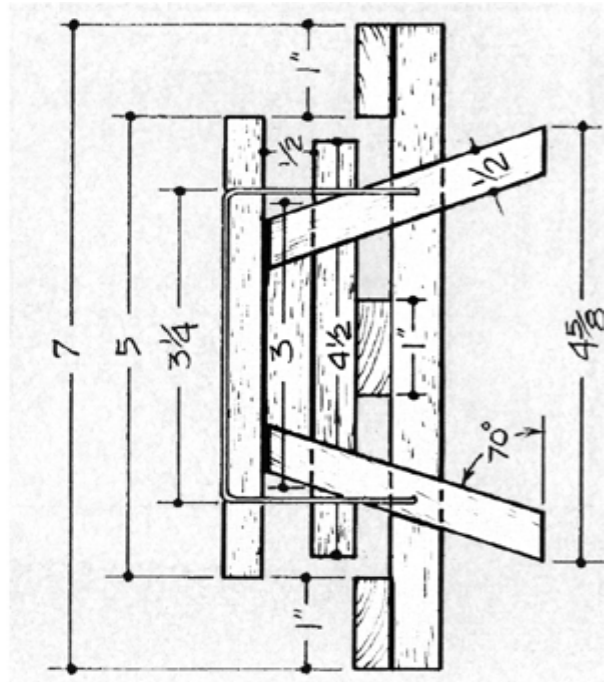
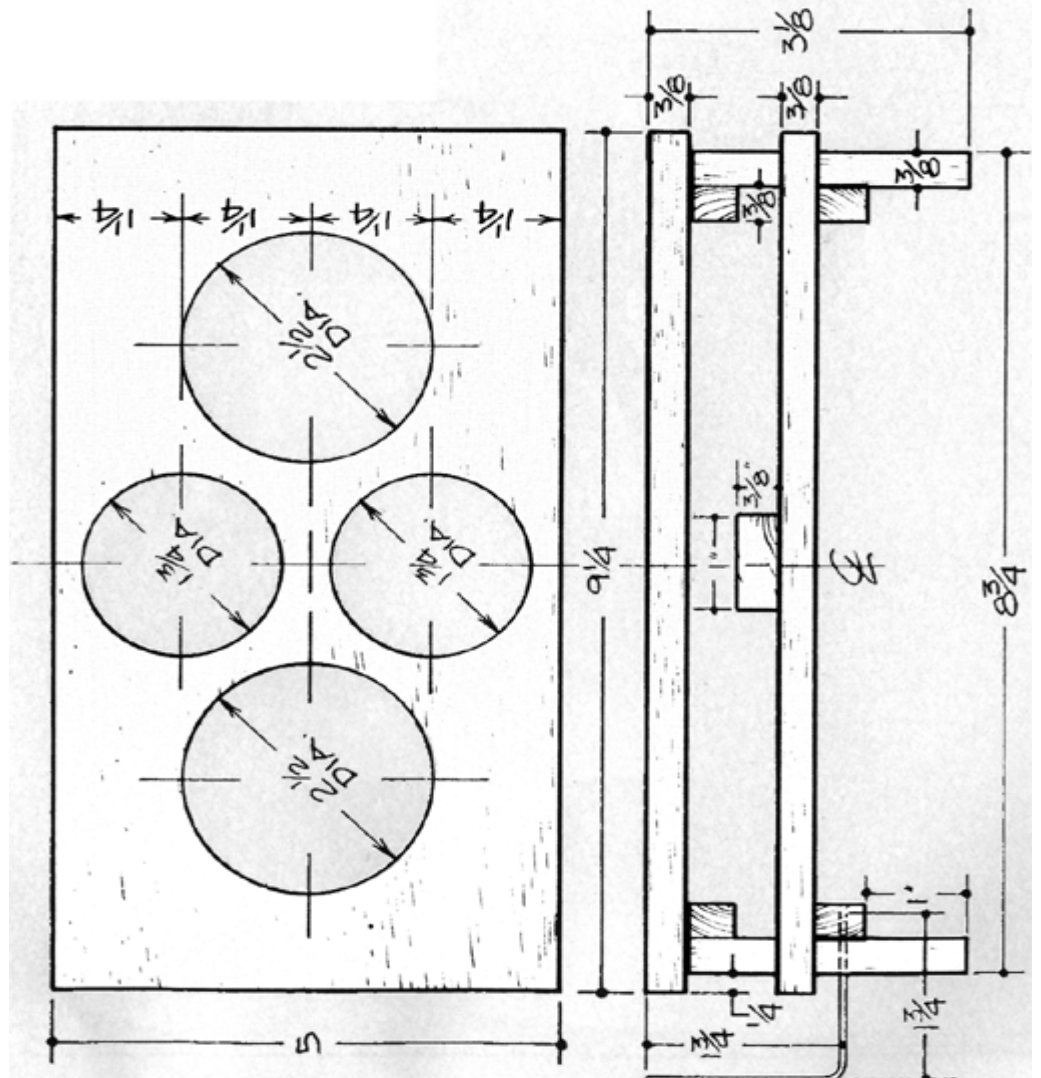
## Project 14847EZ: Condiment Holder

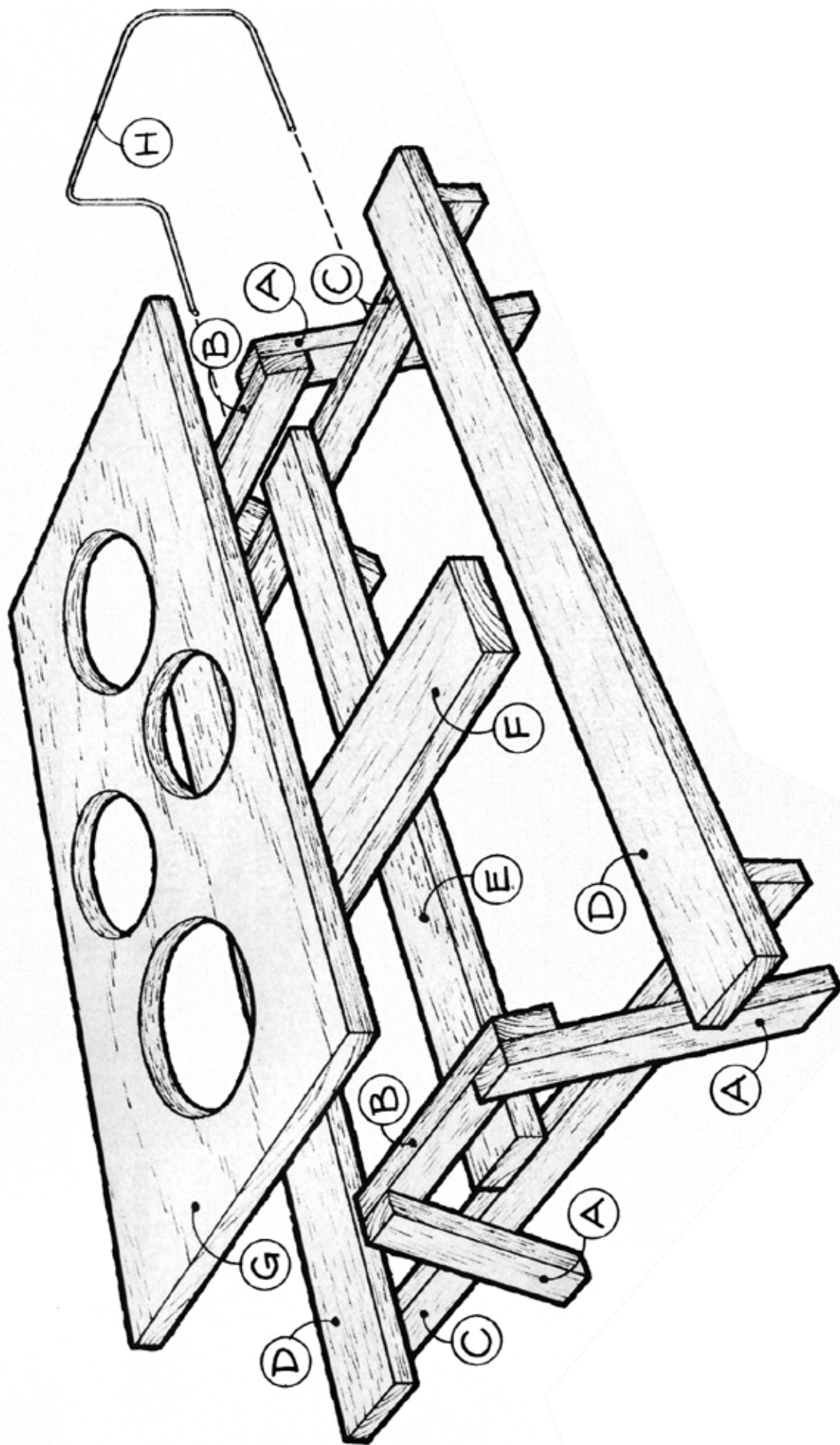
*Although we designed this condiment holder with outdoor barbecues in mind, it can be handy on the kitchen table as well. The holder conveniently has a place for ketchup and mustard squeeze bottles, salt and pepper shakers, and napkins. We have dimensioned the squeeze bottle and shaker holders for standard size containers, however you may wish to customize these holes to your own bottles and shakers. All the stock for the condiment holder is 3/8" thick. Although we used mahogany, any wood, including pine, will serve as well.*

### Condiment Holder Materials List

Part	Description	Size	No. Req'd
A	Leg	3/8" x 1/2" x 3"	4
B	Brace	3/8" x 1/2" x 3"	2
C	Rail	3/8" x 1/2" x 7"	2
D	Seat	3/8" x 1" x 9-1/4"	2
E	Stretcher	3/8" x 1" x 8"	1
F	Shaker Support	3/8" x 1" x 4-1/2"	1
G	Top	3/8" x 5" x 9-1/4"	1
H	Napkin Holder	coat hanger wire	1

# Condiment Holder Complete Schematic





# Condiment Holder Step-by-Step Instructions

1. Cut the legs (A) and braces (B).
  2. Cut off the ends of the legs and the ends of the braces at 70 degrees, as shown.
  3. Cut parts C, D, E, and F to size.
  4. Cut the top to length and width.
  5. Use hole saws to cut out the shaker and bottle holes.
  6. Glue and assemble the table as shown. **NOTE: Take care when applying glue since any glue squeeze-out will make the affected area appear lighter after you apply stain or finish.**
  7. Clamp the project with spring type clamps.
  8. Allow the glue to dry.
  9. Bent a section of wire coat hanger as indicated to make the napkin holder (H).
  10. Drill two holes for the wire.
  11. Epoxy the ends of the wire in place.
  12. Final sand and finish with penetrating oil.
  13. Stain as desired.
-