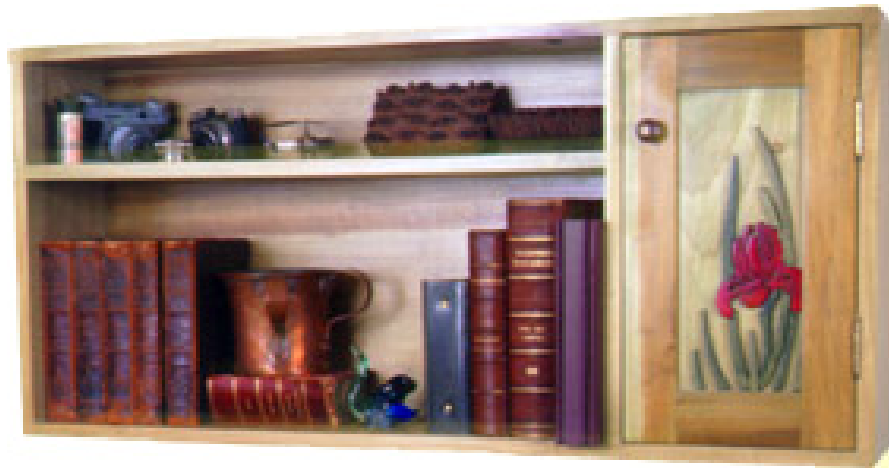
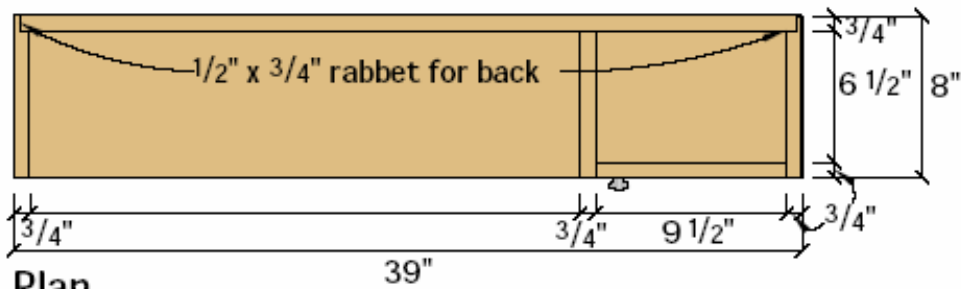


*158*

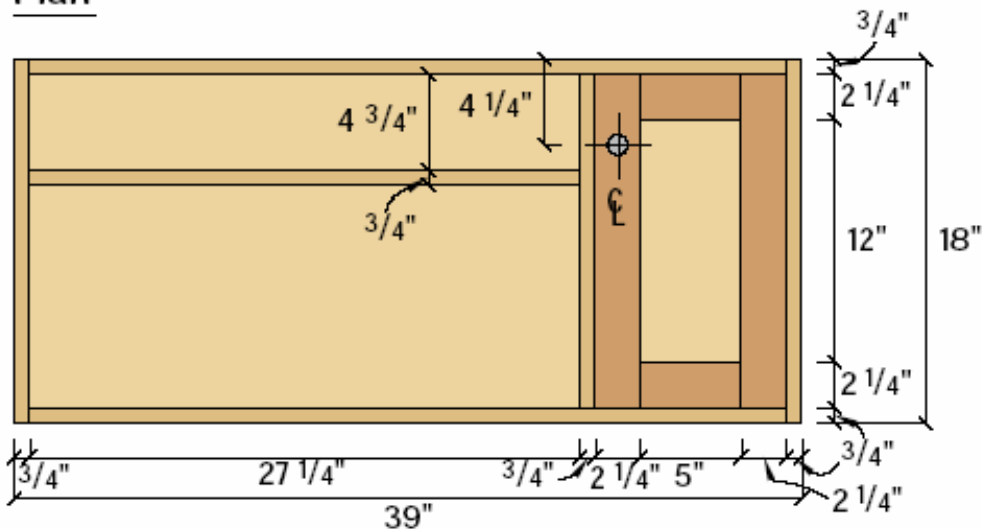
---

# BYRDCLIFFE CABINET

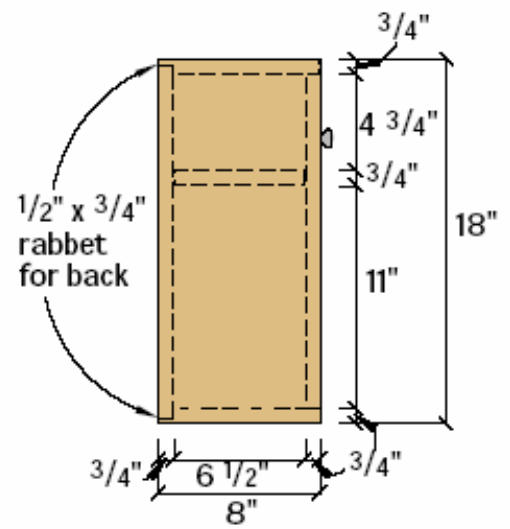




Plan



Elevation



Profile

**Assemble the Cabinet** • Cut the pieces to size according to the Schedule of Materials. Pre-sand the cabinet parts, then assemble the frame with biscuits or dowels. Make sure the shelf and divider are flush to the front of the cabinet. Glue and clamp until dry.

**Make the Door** • Next rip the rails and stiles for the door, making a 1/4" wide by 5/8" deep groove in the center of one long edge of all four pieces to receive the panel. The groove also holds the tenons in the rails. Then cut 1/4" x 9/16" tenons on both ends of the door's rails using a dado stack. Cut a 1/4" x 1/2" rabbet on all four edges of the panel. Sand the parts, then assemble the door with the rabbet facing the back of the door. Glue and clamp.

**Add the Back** • Cut a 1/4" x 3/4" rabbet in the back of the cabinet with a rabbeting bit chucked in a router. Glue up the poplar for the back. When dry, nail the back into place. Be sure to allow some space for the back to expand. If you want to make the cabinet weigh less, use 1/2" poplar plywood for the back, but be sure to then cut the shelf and divider 1/4" wider. (Don't use less than 1/2" plywood if you plan to hang the cabinet by screwing through the back.)

**Finish the Cabinet** • Cut mortises for the hinges and hang the door before finishing. Finish sand the cabinet. The best way to stain the cabinet green is by spraying on aniline dye diluted with alcohol. I used an inexpensive Preval™ Power Unit aerosol can (it costs about \$4 at craft and hardware stores). After you spray the dye on, wipe it down immediately with a rag moistened with denatured alcohol to minimize blotching.

**Add the Flower** • Cut the iris flower pattern from 1/4" poplar with a scroll saw or coping saw. Dye the pieces, then glue them to the panel with a "super" glue. Cover the cabinet with two coats of clear finish.

### Schedule of Materials: Byrdcliffe Cabinet

No.	Item	Dimensions	Material
2	Sides	3/4" x 8" x 18	Poplar
2	Top & Bott.	3/4" x 8" x 37 1/2"	Poplar
1	Shelf	3/4" x 7 1/4" x 27 1/4"	Poplar
1	Divider	3/4" x 7 1/4" x 16 1/2"	Poplar
1	Back	3/4" x 17 1/8" x 38 1/8"	Poplar
2	Rails	3/4" x 2 1/4" x 6"	Poplar
2	Stiles	3/4" x 2 1/4" x 16 1/2"	Poplar
1	Panel	1/2" x 6" x 13"	Poplar

Approx. a 1/4" x 6" x 13" piece of poplar for the Iris pattern