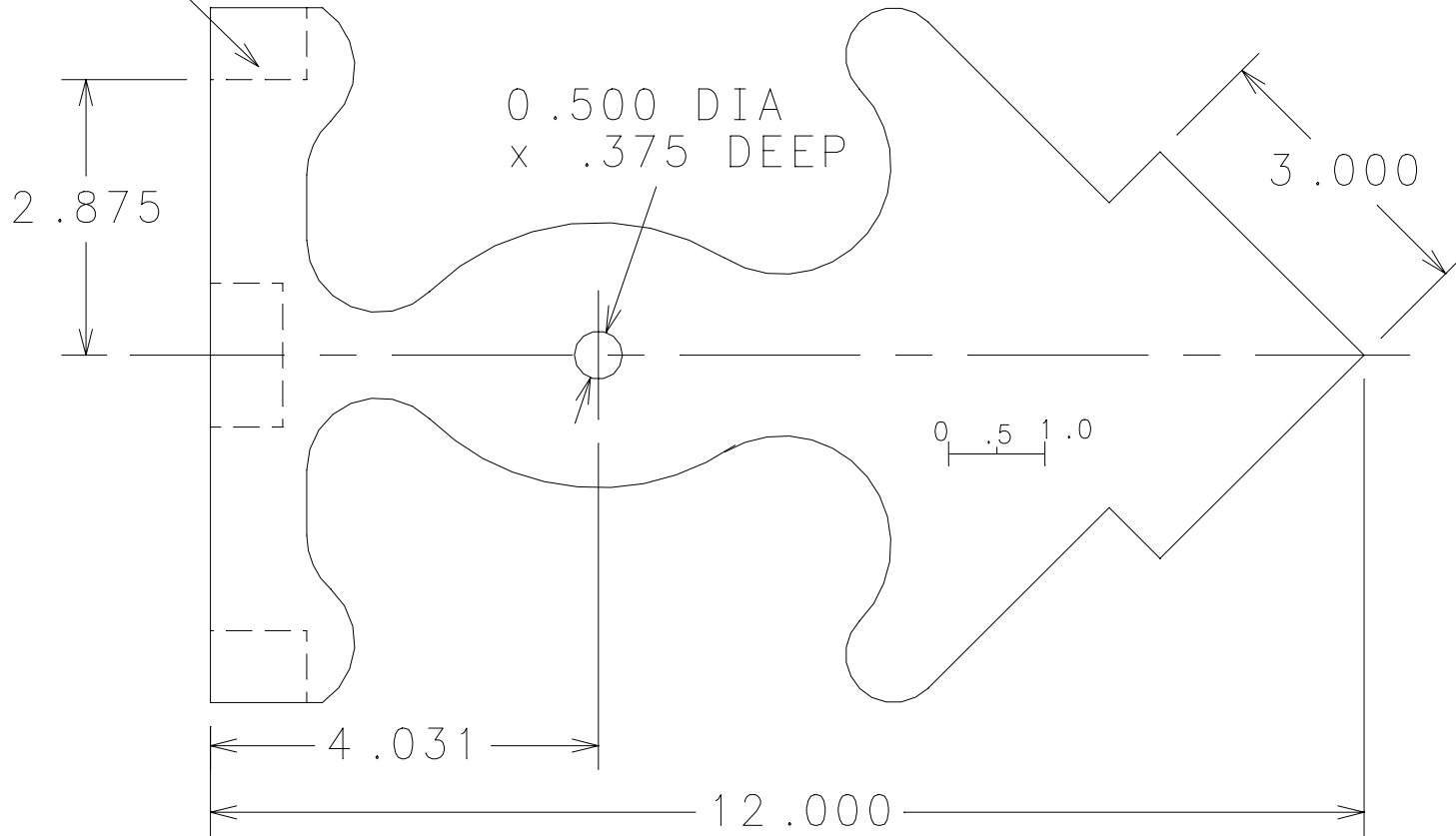


THESE LOCATIONS SHOWN
FOR VISUAL CLARIFICATION



BILL OF MATERIALS / PARTS LIST

- 1 - RIDGE : $3/4 \times 3/4 \times 15$ TRIANGLE STOCK
 - 2 - ROOF : $3/4 \times 3 - 1/2 \times 15$ (4 REQD)
 - 3 - ENDS : $3/4 \times 7 - 1/4 \times 12$ (2 REQD)
 - 4 - CENTER BRACE : $3/4 \times 1 - 1/5 \times 12$ (1 REQD)
 - 5 - SIDE RAILS : $3/4 \times 1 \times 12$ (2 REQD)
 - 6 - PERCH : $1/2 \times 12 - 1/2$ DOWELL ROD
- MISC ITEMS : SCREEN WIRE (8x16), WATER PROOF GLUE, SCREEN MOLDING, BRAD NAILS.

GENERAL NOTES : DIMENSIONS REFLECT THE ACTUAL MEASUREMENTS OF STANDARD OFF-THE-SHELF LUMBER. PRINT SHEET TWO AND ENLARGE USING A COPY MACHINE UNTIL THE ONE INCH SCALE IS EQUAL TO BUT DOES NOT EXCEED ONE INCH. ONCE SATISFIED WITH SCALE, MAKE TWO COPIES TO BE USED AS TEMPLATES. USING A SPRAY ADHESIVE, TEMPORALLY STICK THESE TEMPLATES TO THE END PIECE BLANKS AND CUT OUT ENDS. DRILL THE $1/2$ INCH HOLE $3/8$ DEEP WHERE LOCATED ON TEMPLATE. TAKE SCREEN WIRE AND DOUBLE BACK $1/2$ INCH ON ALL FOUR SIDES FOR STRENGTH. STAPLE THE SCREEN WIRE TO THE BOTTOM OF THE FEEDER CUT THE SCREEN MOLDING TO COVER THE PERIMETER OF THE BOTTOM OF THE FEEDER, SANDWITCHING THE SCREEN INTO PLACE. BE CAREFUL, THE FEEDER CAN EASILY BE BROKEN NAILING MOLDING.