



Wow! I Made It.com

CD Cabinet

If your CD collection could use a little order, you need this terrific shelf. Placed on a table or desk, or hung on a wall, it will hold your CDs—and you may even have room for storing tapes and displaying pictures.



Materials

- 19 linear feet of 1 x 6 pine
- 3 linear feet of 1 x 8 pine
- 4 linear feet of 3"-wide beaded molding

Hardware

- 5, 2" 6d finishing nails
- 15, 1-1/4" 3d finishing nails

Special Tools & Techniques

- Miter

Cutting List

Code	Description	Qty.	Materials	Dimensions
A	Shelf Sides	2	1 x 6 pine	34-1/2" long
B	Shelves	6	1 x 6 pine	24" long
C	Shelf Top	1	1 x 8 pine	27" long
D	Base Front	1	3"-wide beaded molding	26-5/8" long
E	Base Sides	2	3"-wide beaded molding	6" long

Making the Frame

1. Cut two Shelf Sides (A) from 1 x 6 pine, each measuring 34-1/2 inches.
2. Cut six Shelves (B) from 1 x 6 pine, each measuring 24 inches.
3. Place the two Shelf Sides (A) on edge, parallel to each other and 24 inches apart. Using *Figure 1* as a guide, place the Shelves (B) between the Shelf Sides (A). Position two of the Shelves (B) flush with the ends of the Shelf Sides (A), and the remaining four Shelves (B) inside the first two, spaced 6 inches apart. Apply glue to the meeting surfaces, and nail through the Shelf Sides (A) into the ends of the Shelves (B), using three 2" nails on each joint.
4. Cut one Shelf Top (C) from 1 x 8 pine measuring 27 inches.
5. Place the Shelf Top (C) over one of the ends of the assembled Shelves (B) and Shelf Sides (A) as shown in *Figure 1*. Apply glue to the meeting surfaces, and nail through the face of the Shelf Top (C) into the ends of the shelf Sides (A), using three 2-inch nails on each joint.

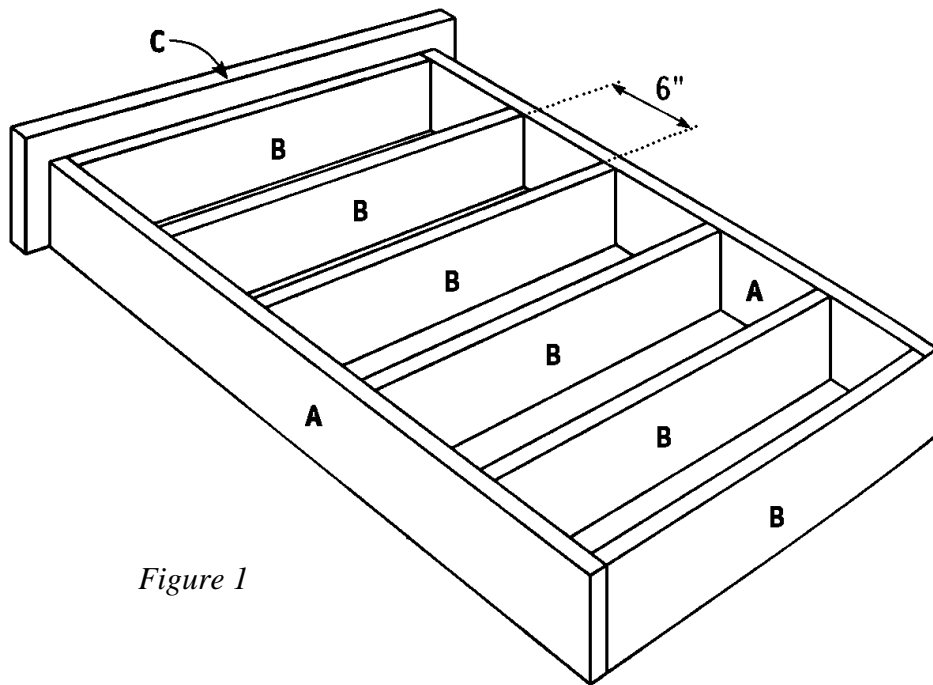


Figure 1

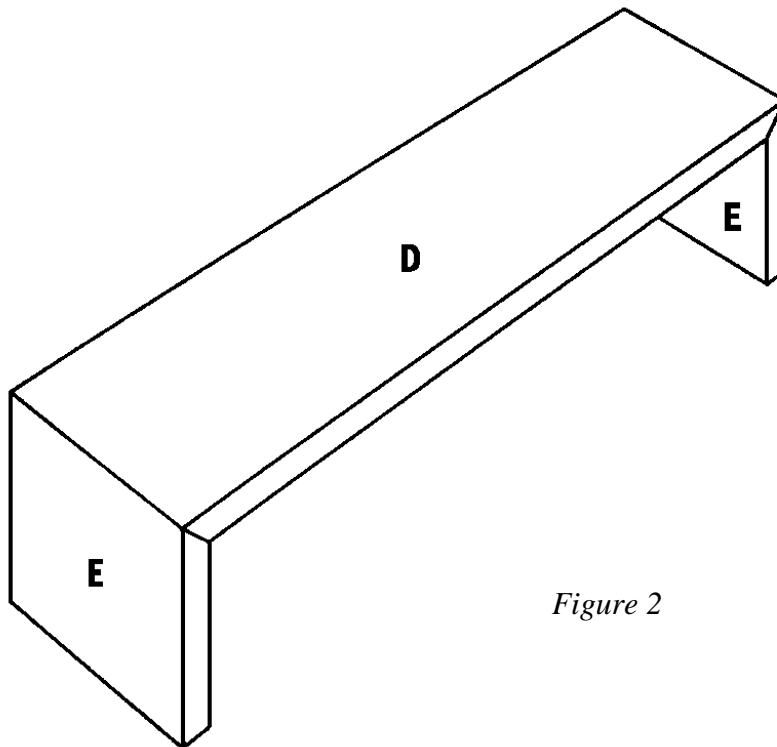


Figure 2

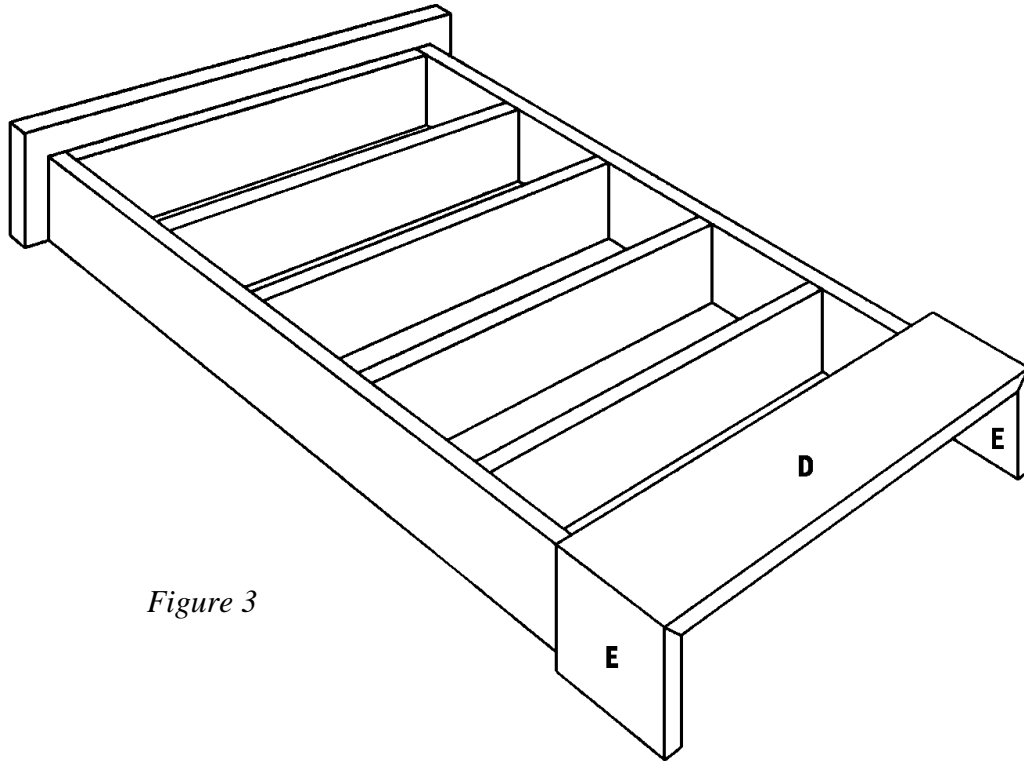


Figure 3

Adding the Base

1. Cut one Base Front (D) from 3"-wide beaded molding, measuring 26-5/8 inches. Using *Figure 2* as a guide, miter both ends of the molding at opposing 45-degree angles.



2. Cut two Base Sides (E) from 3"-wide beaded molding, each measuring 6 inches. Refer to *Figure 2* to miter one end of both Base Sides (E). **Note:** the mitered ends must oppose each other to fit correctly.
3. Attach the Base Front (D) to the edge of the Bottom Shelf (B) as shown in *Figure 3*. Apply glue to the meeting surfaces, and nail through the Base Front (D) into the edge of the Bottom Shelf (B), using 1-1/4" nails spaced about 4 inches apart.
4. Place one Base Side (E) on both Shelf Sides (A) as shown in *Figure 3*. Apply glue to the meeting surfaces, and nail through the Base Sides (E) into the Shelf Sides (A), using three 1-1/4" nails on each joint.

Finishing

1. Fill any cracks, crevices, or nail holes with wood filler.
2. Thoroughly sand all surfaces of the completed cabinet.
3. Seal and paint or stain your completed cabinet the color of your choice. WE chose a light cherry stain with a satin finish.



Enjoy many other indoor and outdoor projects from !

