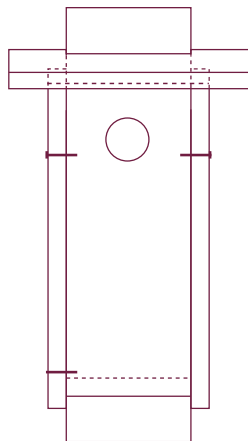
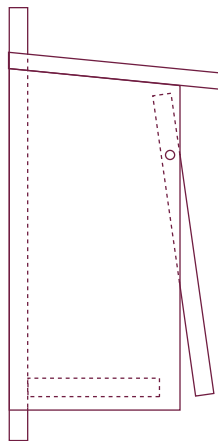
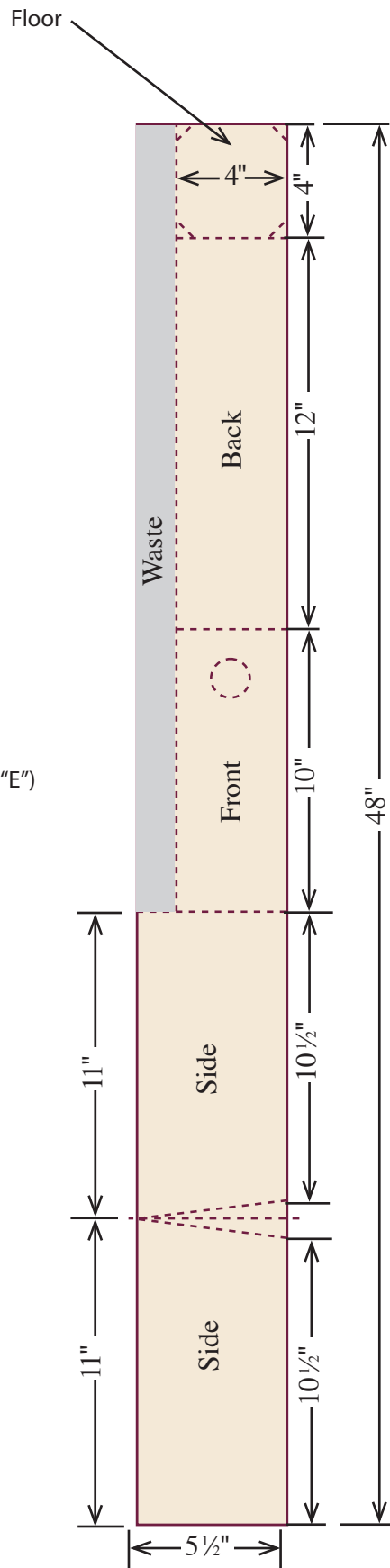
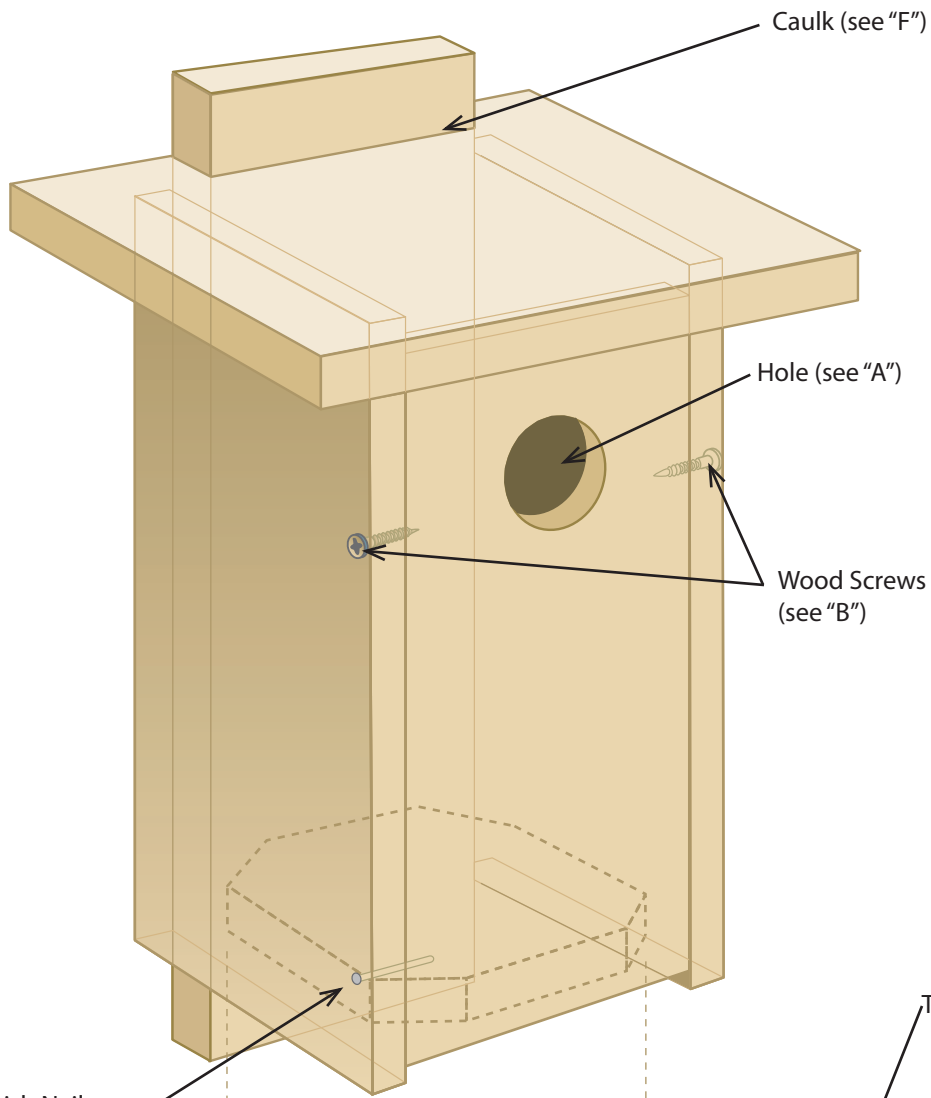


PROJECTS YOU Can Do



ILLUSTRATION: RALPH A. MARK, JR.



Building Notes

The Progressive Farmer® Bluebird House (Plan No. 1296)

- A. This house is designed for the eastern bluebird.
The hole is $1\frac{1}{2}$ " in diameter and is located $1\frac{1}{8}$ " from the top of the front piece.
For western and mountain bluebirds the hole should be $1\frac{9}{16}$ " in diameter.
- B. Use two wood screws as pivot points for the door.
The front piece swings open so you can clean out old nesting material.
- C. Use two small finish nails to secure the door.
- D. The floor — 4" x 4" — should be inset $\frac{1}{4}$ " from the bottom edges of the house.
This serves as a drip edge. Remove all four corners of the floor.
This allows for drainage and improves air circulation.
For western and mountain bluebirds the floor should be 5" x 5".
- E. The roof is 8" wide and 7" deep, front to back. From the roof remove a 4" wide by $\frac{3}{4}$ " deep piece of the roof. This slot fits over the backside piece of the house.
- F. Caulk the joint where the roof meets the backside piece of the house.