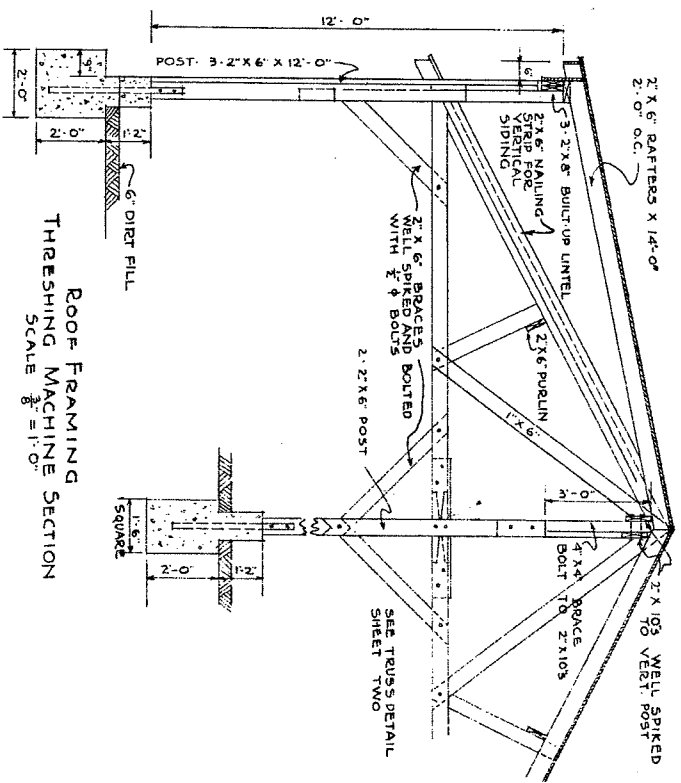


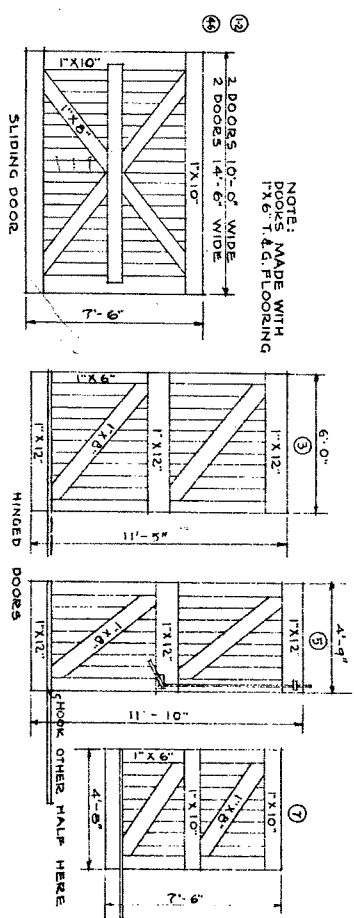
COOPERATIVE EXTENSION WORK IN  
 AGRICULTURE AND HOME ECONOMICS  
 STATE OF NORTH DAKOTA  
 NORTH DAKOTA AGRICULTURAL COLLEGE  
 U. S. DEPT. OF AGRICULTURE COOPERATING  
 EXT. AGRIC. ENGINEER - FARGO, N. DAK.  
 AND  
 MACHINERY SHED AND SHOP  
 MIDWEST 74123378 5341 SHEET 1 OF 3



NOTE: Details in next Plans



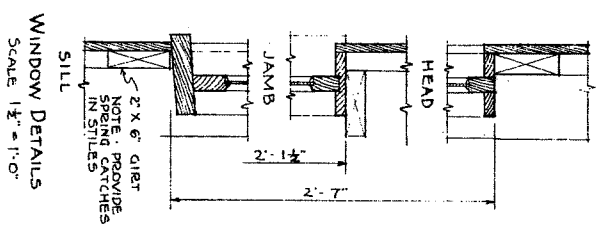
**ROOF FRAMING SECTION**  
SCALE  $\frac{3}{8}$ " = 1'-0"



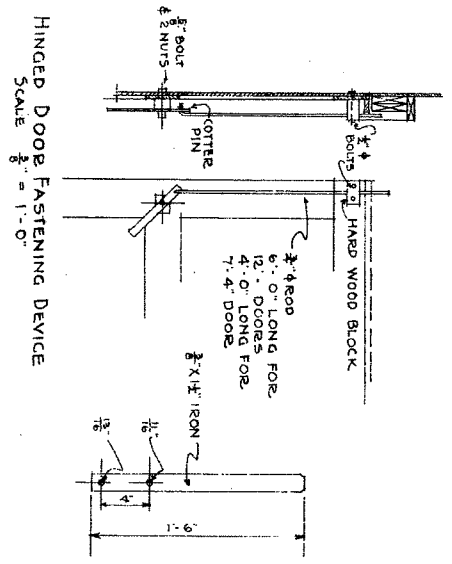
**NOTE: MADE WITH 1' X 6" T & G FLOORING**

**NOTE: DOORS**

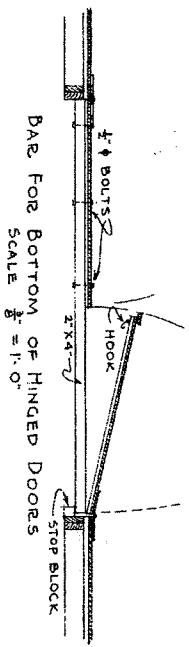
- ② 2'-6" X 7'-0"
  - ③ 3'-0" X 7'-0"
- CONSTRUCTION SIMILAR TO THAT SHOWN FOR ② AND ③



**WINDOW DETAILS**  
SCALE  $1\frac{1}{2}$ " = 1'-0"



**HINGED DOOR FASTENING DEVICE**  
SCALE  $\frac{3}{8}$ " = 1'-0"



**BAR FOR BOTTOM OF HINGED DOORS**  
SCALE  $\frac{3}{8}$ " = 1'-0"

COOPERATIVE EXTENSION WORK IN  
AGRICULTURE AND HOME ECONOMICS  
STATE OF NORTH DAKOTA  
**NORTH DAKOTA AGRICULTURAL COLLEGE**  
AND  
U. S. DEPT. OF AGRICULTURE COOPERATING  
EXT. AGRIC. ENGINEER-FARROW, R. DAK.  
**MACHINERY SHED AND SHOP**  
MIDWEST 74123-133 EX. 5343 SHEET 3 OF 3