

6 Foot Home Bar



Home Bar Plans

Entertain your friends in style with this beautiful oak bar. The top is 6 ft. long and 24" deep. The overall height about 42". The classic design features solid oak armrest molding, solid brass foot rail, a convenient work shelf in the rear, three drawers, and two sliding wine racks. The cabinet is made of $\frac{3}{4}$ " oak veneered plywood. The trim and drawer fronts, from $\frac{3}{4}$ " solid oak.

The extensive use of pocket holes makes the assembly of this project easy and intuitive. If you have never used pocket holes in your woodworking projects, you'll wonder how you ever got by without them. Pocket hole joints are extremely strong and there is no measuring. You simply drill the pocket holes in one of the work pieces to be joined, (the exact location is not critical), clamp the pieces together and insert the screws. Since the screws remain in the joint, they serve as both a dowel and a permanent clamp.

Table of Contents

Part 1 - Dimensions

Materials List – Cabinet	1
Front Panel	2
Side Panel & Vertical Divider	3
Kick Panel, Shelf, & Cleats	4
Front Trim	5
Side Trim	6
Rear Trim	7
Rear Trim Arrangement	8
Materials List – Brass Foot Rail	9
Materials List – Top & Arm Rest Dimensions	10
Bar Top	11
Bar Top Rear Trim.....	12
Risers & Soffit	13
Materials List – Drawers & Wine Racks	14
Drawer Box Sides, Fronts, & Backs	15
Drawer Fronts & Bottoms	16
Wine Racks	17

Table of Contents

Part 2 - Assembly Instructions

Attach Drawer Slides	18
Attach Wine Rack Slides - Assemble Bottom	19
Attach Vertical Dividers & Kick Panel	20
Attach Side Panels and Work Shelf	21
Assemble Front & Side Panels	22
Attach Front and Side Trim	23
Install Upper Horizontal Trim	24
Arrangement of Rear Trim	25
Install Brackets & Measure Side Rail Length	26
Measure Front Rail Length - Assemble Rails	27
Assemble Armrest Molding	28
Drill Pocket Holes in the Top	29
Attach Rear Trim to the Top	30
Attach Risers to the Top	31
Attach Top to Molding & End Soffit	32
Attach Center Soffit	33
Assemble Drawers	34
Assemble Wine Racks	35
Cutout Suggestions (1)	36
Cutout Suggestions (2)	37
Cutout Suggestions (3)	38

Materials You Will Need

Two Sheets of $\frac{3}{4}$ " Oak Veneer Plywood - See Cutout Suggestions (1)

One Sheet of $\frac{1}{2}$ " Oak Veneer Plywood - See Cutout Suggestions (2)

One fourth Sheet of $\frac{1}{4}$ " Hardboard - See Cutout Suggestions (2)

Four 5 $\frac{1}{2}$ " by 8' by $\frac{3}{4}$ " Oak Boards

One 6 $\frac{1}{2}$ " by 8' by $\frac{3}{4}$ " Oak Board

10 Ft. of Oak Armrest Molding - Rockler Item # 42768 & 42777 Link:

<http://findit.cfm?page=5762&sid=AF913>

10 Ft. Brass Foot Rail Kit - Rockler Item # 57684 Link:

<http://findit.cfm?page=907&sid=AF913>

Five Sets of 14" Drawer Slides (May be at local hardware stores) Rockler Item # 34835 Link:

http://ecom7/product_details.cfm?offerings_id=1507&sid=AF913

Three Drawer Pulls (Available at Rockler or local hardware stores)

Pocket Hole Face Frame Screws (One or two pounds)

1" Flathead screws (About 50)

1" Finishing Nails (Less than a pound)

1 $\frac{1}{2}$ " Finishing Nails (Less than a pound)

7 Small Angle Brackets (Available at local hardware stores)

Tools You Will Need

Table Saw

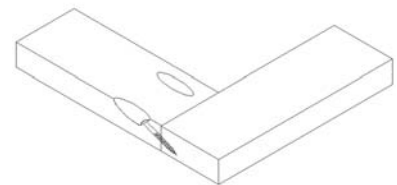
Drill

Pocket Hole Jig

Sander

Hand Tools

Pocket holes are about the easiest way I know to join wood. You simply use the jig to drill a pocket hole in one work piece, apply some glue, secure the pieces with a clamp, then insert the screw as shown in the Illustration.



If you have not experienced the ease and efficiency of pocket hole joinery yet, maybe you'll be ready to try it after looking through these assembly drawings and instructions. You can get a simple pocket hole jig kit with a step drill and stop collar for less than \$20 and a really nice one for less than \$150. Note: A drill press pocket hole jig isn't suitable for the plywood panels required for this project. A selection of suitable pocket hole jigs are pictured on the last page of this document.

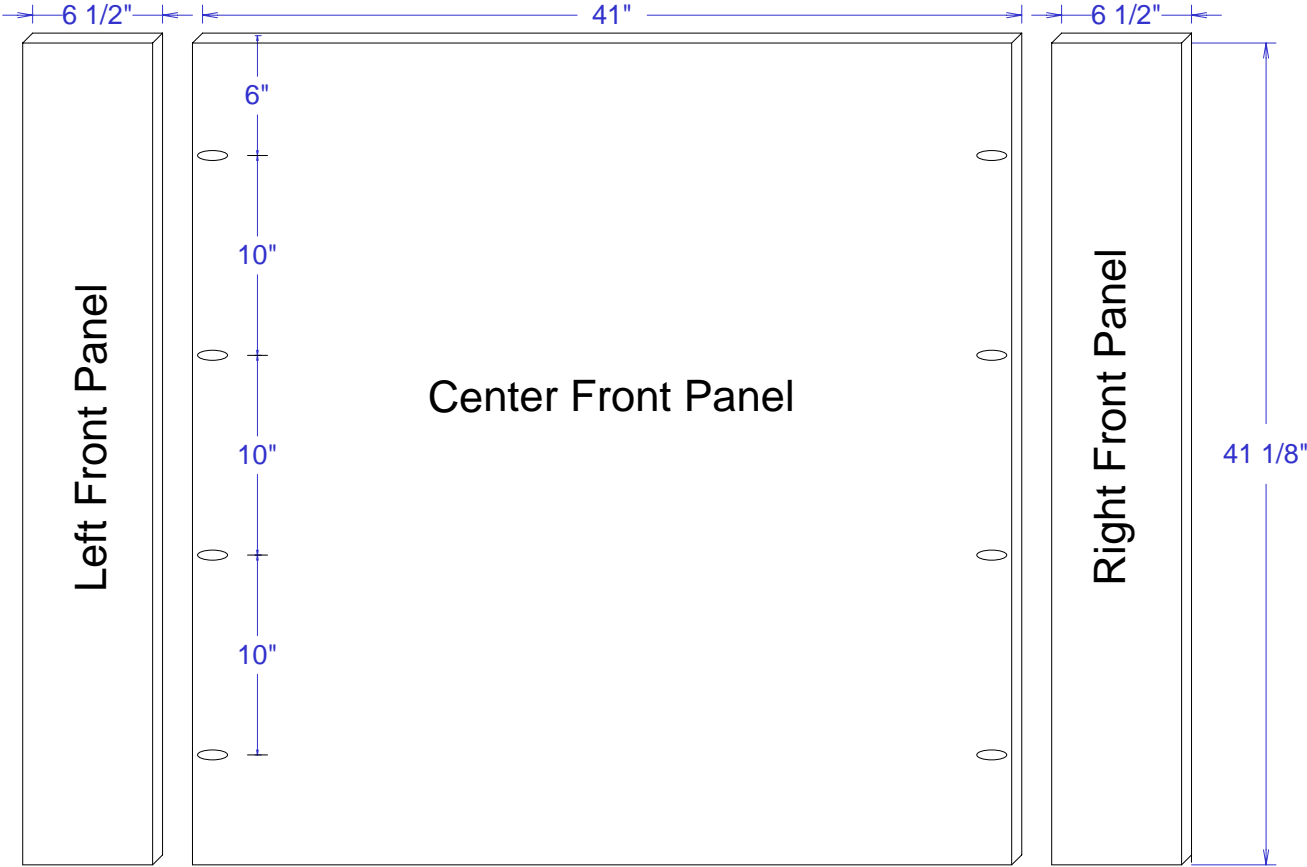
Cabinet Materials List

Page 1

Please Note! The dimensions given are based on using 3/4" thick plywood. However, much of the plywood on the market today is actually a metric size and is slightly less than 3/4" thick. This will not affect most of the dimensions, however, you will need to adjust the dimensions of the rear trim accordingly if your plywood is less than 3/4" thick.

Qty	Size	Material	Item Name
2	6 1/2" X 41 1/8"	3/4" Oak Plywood	Left and Right Front Panels
1	41" X 41 1/8"	3/4" Oak Plywood	Center Front Panel
2	14" X 41 1/8"	3/4" Oak Plywood	Cabinet Sides
2	14" X 23 1/2"	3/4" Oak Plywood	Vertical Dividers
2	14" X 52 1/2"	3/4" Oak Plywood	Top Work Shelf and Bottom
1	5" X 52 1/2"	3/4" Oak Plywood	Kick Panel
1	16" X 14"	3/4" Oak Plywood	Small Shelf
15	14" X 2"	3/4" Oak Plywood	Cleats
2	19" X 2"	3/4" Oak Plywood	Front Cleats
2	2" X 55 1/2"	3/4" Solid Oak	Top and Bottom Trim (Front)
2	2 1/2" X 36"	3/4" Solid Oak	Fluted Trim (Front)
4	1 1/2" X 36"	3/4" Solid Oak	Corner Trim
2	3/4" X 36"	3/4" Solid Oak	Side Corner Trim (Front)
4	2" X 16 1/4"	3/4" Solid Oak	Top and Bottom Trim (Side)
2	1" X 26"	3/4" Solid Oak	Decorative Frame (Top and Bottom)
2	1" X 18"	3/4" Solid Oak	Decorative Frame (Sides)
1	2" X 51"	3/4" Solid Oak	Bottom Horizontal Trim (Back)
1	3 1/4" X 51"	3/4" Solid Oak	Top Horizontal Trim (Back)
2	1 1/2" X 21"	3/4" Solid Oak	Vertical Divider Trim (Back)
2	1 1/2" X 40"	3/4" Solid Oak	Vertical Corner Trim (Back)
2	1 1/2" X 14 1/2"	3/4" Solid Oak	Drawer Divider Trim (Back)

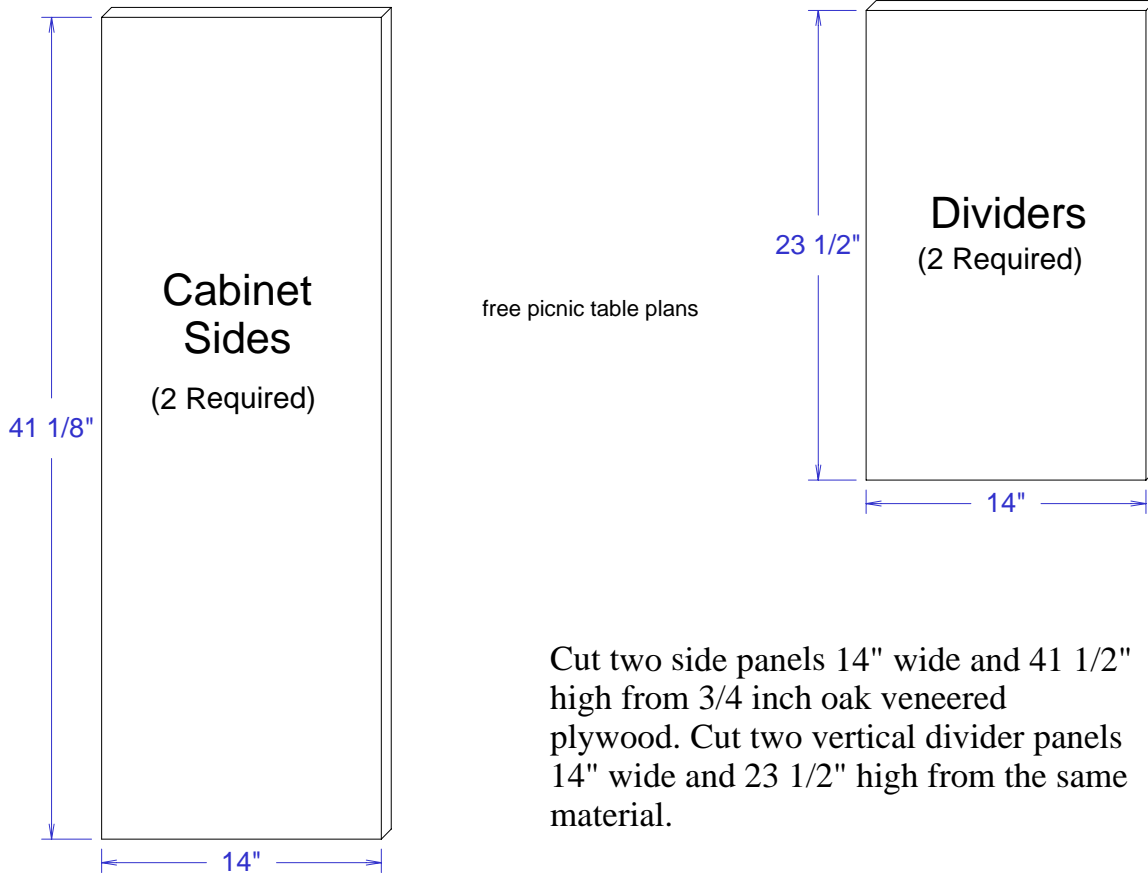
Front Panel Dimensions



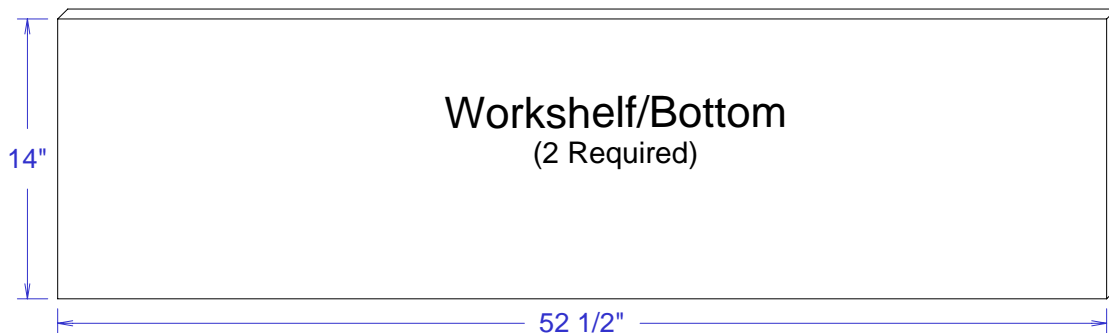
Drill pocket holes on the front sides of the center panel as shown above. These pocket holes are used to attach the three front panels together. The pocket holes will be covered with the trim later.

Side Panel & Vertical Divider

Page 3



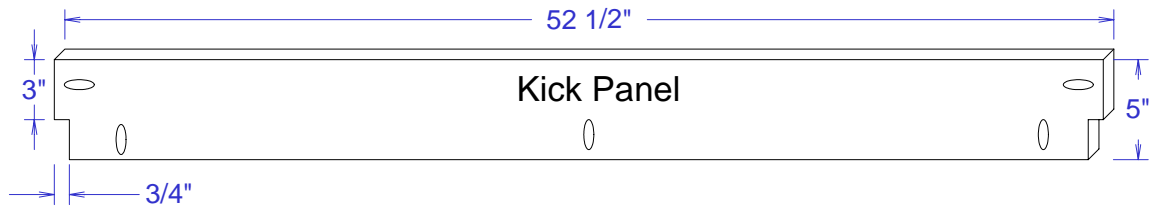
Cut two side panels 14" wide and 41 1/2" high from 3/4 inch oak veneered plywood. Cut two vertical divider panels 14" wide and 23 1/2" high from the same material.



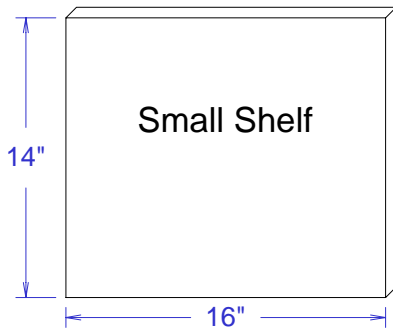
Cut two pieces of 3/4" oak veneered plywood 52 1/2" wide by 14" deep. One is for the cabinet bottom and the other for the main work shelf.

Kick Panel, Shelf, & Cleats

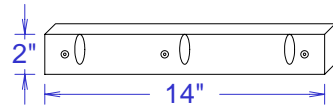
Page 4



Cut the Kick Panel 52 1/2" long by 5" wide from 3/4" oak plywood. Cut the notches and drill pocket holes as shown. The location of the pocket holes is not critical.

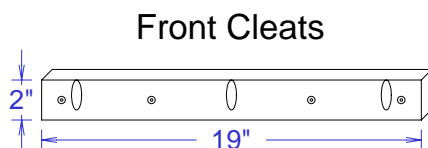


Cut the small shelf 16" wide by 14" deep from 3/4" oak veneered plywood.



Cut fifteen cleats 14" long by 2" wide from 3/4" oak veneered plywood. Seven of these cleats require pocket holes. All fifteen cleats require three 3/16" diameter holes for mounting screws. The screw holes need to be countersunk. The pocket holes should be about 1 1/2" from each end and one in the center. The screw holes 1/2" from the pocket holes as pictured.

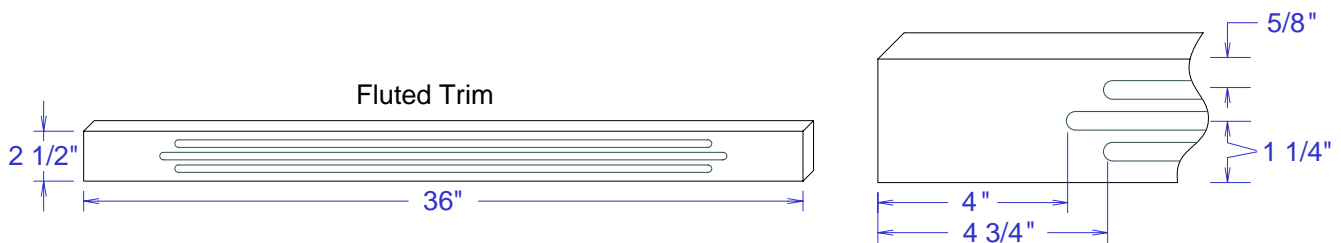
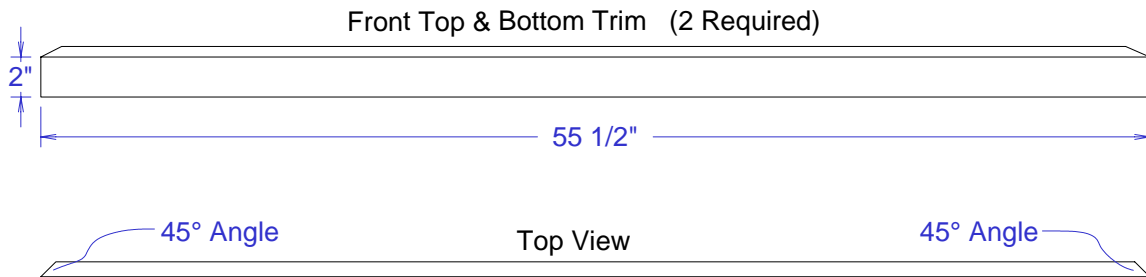
The reason only seven require pocket holes is that five of these cleats will be used only for drawer slide mounts for the three drawers and do not require pocket holes. This will be illustrated in the assembly instructions



Cut two cleats 19" long by 2" wide from 3/4" oak veneered plywood. Drill pocket holes and mounting screw holes as for the 14" cleats. These are for securing the workshelf and bottom to the cabinet front

Front Trim

Page 5



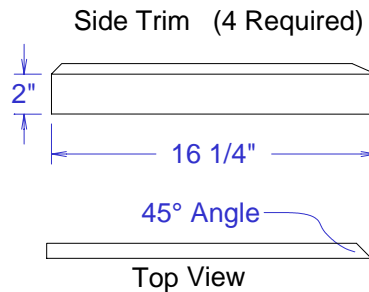
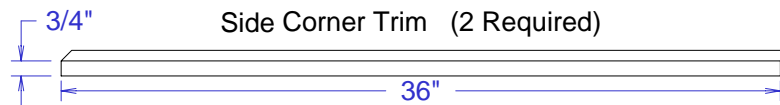
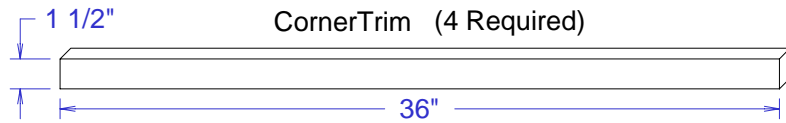
Cut two pieces of 3/4" oak 36" long by 2 1/2" wide for the fluted front trim. These pieces will cover the joint and pocket holes that are used to join the three front panels together. The flutes are not necessary but if you have a router table, I think they are worth the extra trouble.

Use your router with a 1/2" core box bit to cut the flutes. The center flutes should be about 4" from each end and the edge flutes should be about 4 3/4" from each end. I recommend using some scrap wood to practice making the flutes. You will need to use your router table and fence for this if you have one.

Tip: make pencil marks on your router table fence on each side of the router bit, one 4" from the center of the bit and the other 4 3/4". Then, you can use these marks to determine the start and stop point of the workpiece.

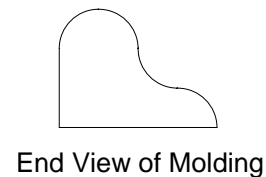
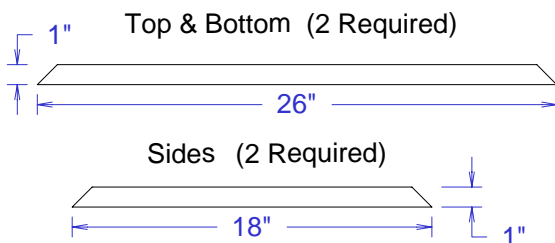
Side Trim

Page 6



For the corner trim, you'll need four pieces of 3/4" oak 36" long by 1 1/2" wide. For the front corner trim, you'll also need two pieces of 3/4" oak 36" long by 3/4" wide. For the Top and Bottom Side trim, you'll need four pieces of 3/4" oak 16 1/4" by 2". One end of the top and bottom trim requires a 45 degree miter cut because it must mate with the front top and bottom trim.

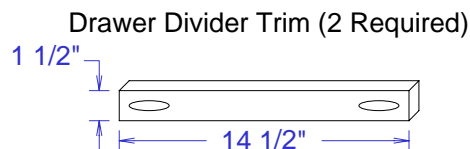
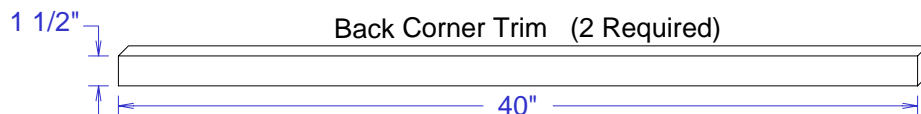
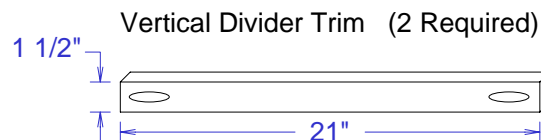
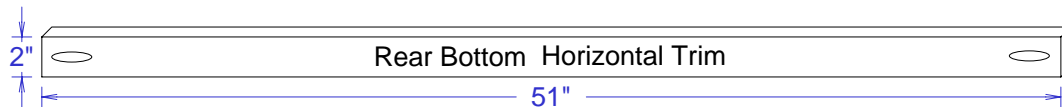
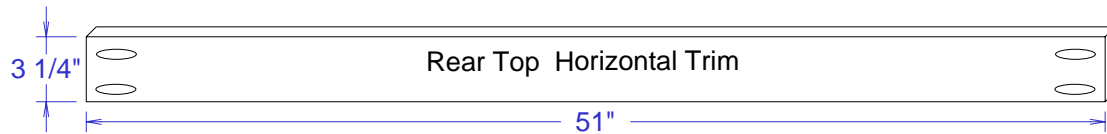
Decorative Frame



Cut two pieces of molding 26" long for the frame top. Cut two pieces of molding 18" long for the frame sides. All corners must have 45 degree miters. I made the molding from 3/4" by 1" wide oak and used a round over bit and ogee bit to give it the shape shown above. If you don't want to go with the above shape, you could simply round over both sides, use a beading bit, or any other design you choose.

Rear Trim

Page 07



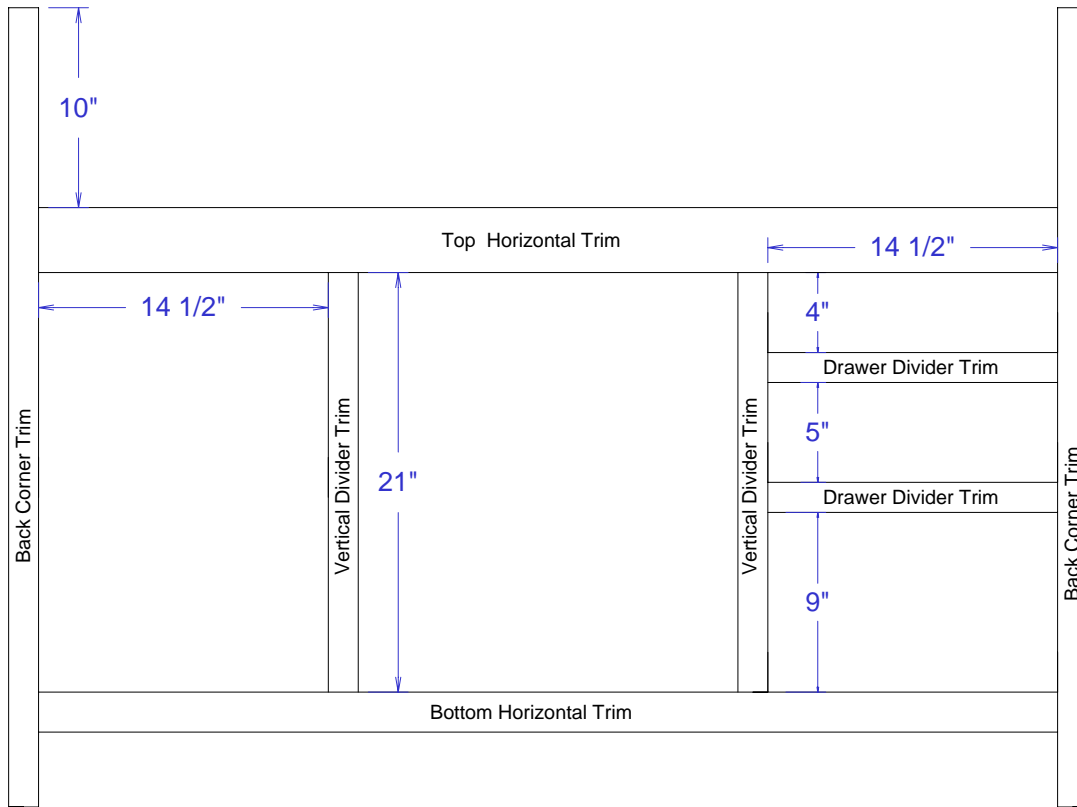
Please Note! The dimensions given are based on using 3/4" thick plywood. However, much of the plywood on the market today is actually a metric size and is slightly less than 3/4" thick. You will need to adjust the dimensions of the rear trim accordingly if your plywood is less than 3/4" thick.

The top and bottom horizontal trim may need to be slightly longer if your plywood is less than 3/4" thick. The vertical divider trim needs to be exactly twice the thickness of the plywood. So, if your plywood is less than 3/4" thick, the width of these pieces will be a little less than 1 1/2".

The pocket holes pictured on some of the pieces above are optional but you may want to use them to assemble the trim before attaching it to the cabinet.

Rear Trim Arrangement

Page 8



1. Attach the top horizontal trim piece 10" from the top of the side trim pieces with pocket hole screws as shown.
2. Attach the vertical divider trim to the top horizontal trim as shown.
3. Attach the bottom horizontal trim to the vertical side trim and vertical divider trim as shown.
4. Attach the drawer divider trim as shown.

Brass Foot Rail Materials



Figure 1

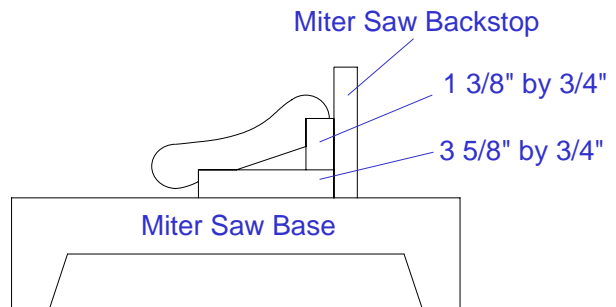
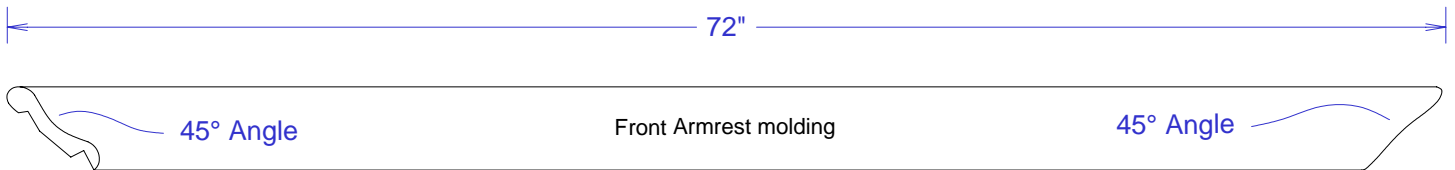
For the prototype bar, I purchased the 10 foot kit with 2" diameter from Rockler. The kit has everything you need for the brass rail. A 1 1/2" diameter size is also available for a little less money. You can buy the brass materials separately too.

Instructions for measuring the brass rail lengths are in the assembly instructions.

Qty	Size	Material	Item Name
1	2" Diameter	Brass Rail Kit	10 Ft Brass Rail Kit Rockler Item Number 57684 1 each - 6' Brass Railing (N) see image below 1 each - 4' Brass Railing (Not sold separately) 5 each - Brass Combination Brackets 2 each - Brass Rail End Caps 2 each - Brass Rail Elbows

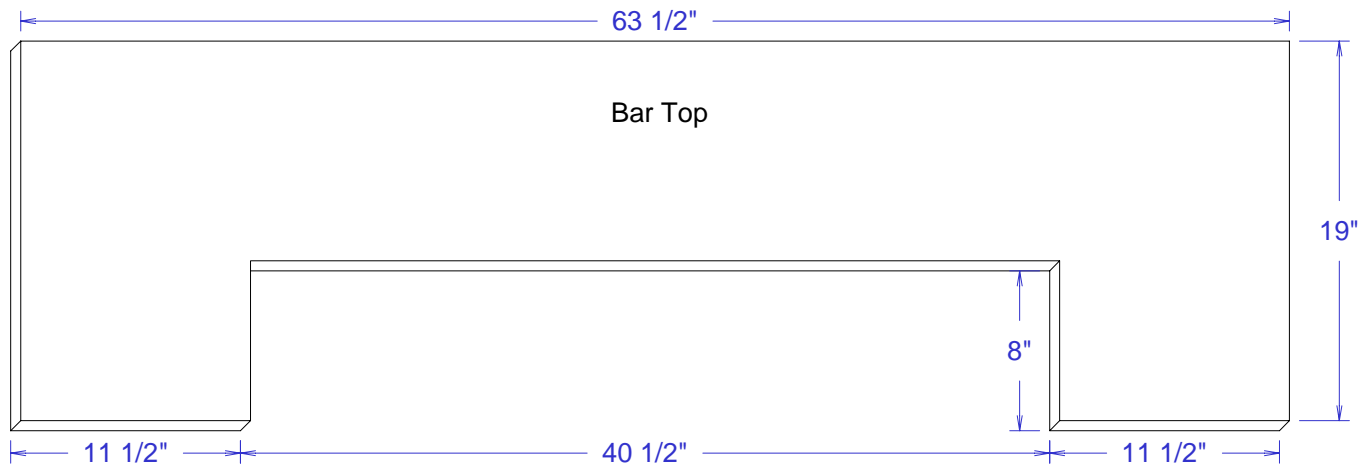
Materials List for the Top & Armrest Molding Dimensions

Qty	Size	Material	Item Name
1	6 Ft	Oak Arm Rest Molding	Rockler item number 42768
2	2 Ft	Oak Arm Rest Molding	Rockler item number 42777
1	63 1/2" X 19"	3/4" Oak Plywood	Countertop
1	40 1/2" X 1 1/2"	3/4" Solid Oak	Countertop cutout trim
2	8" X 1 1/2"	3/4" Solid Oak	Countertop cutout trim
2	15 1/8" X 1 1/2"	3/4" Solid Oak	Countertop cutout trim
4	4 3/4" X 2"	5/8" Pine	Countertop risers
3	4 1/4" X 2"	5/8" Pine	Countertop risers
2	10 3/4" X 2"	5/8" Pine	Countertop risers
2	25" X 2"	5/8" Pine	Countertop risers
2	7 3/4" X 22"	1/2" Oak Plywood	End soffit
1	54" X 7 1/4"	1/2" Oak Plywood	Center soffit



The illustration above shows how to cut the 45° angles with your miter saw. The 1 3/8" by 3/4" and the 3 5/8" by 3/4" spacer strips hold the molding in the same position it will be installed on the bar top. This is an easy way to make a compound miter cut.

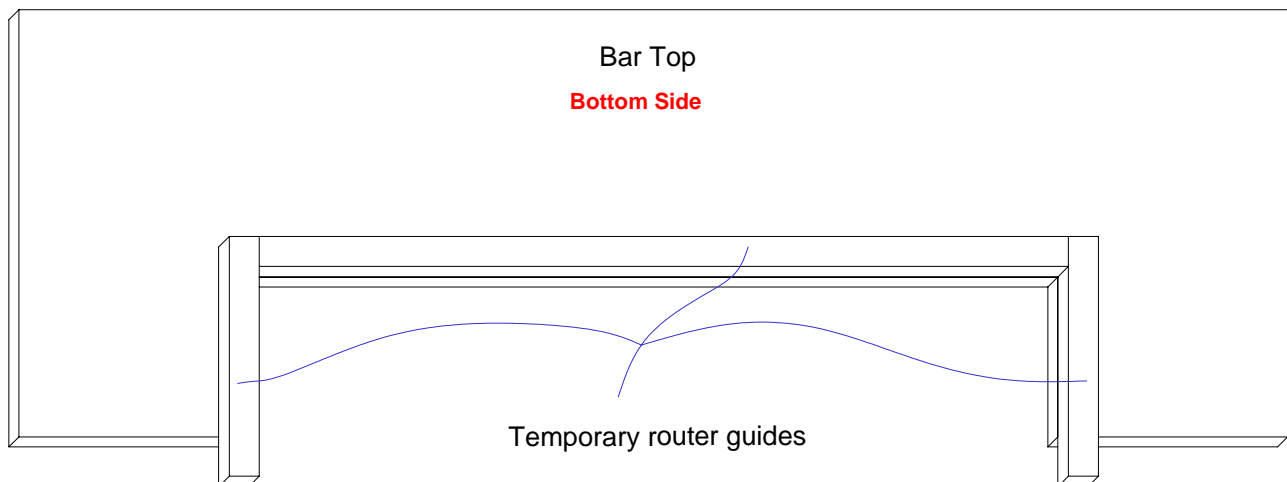
Note: The length and width of the Bar Top depend on the exact inside dimensions of the assembled armrest molding. I recommend you assemble the armrest molding first, then measure the inside opening to determine the exact length and width of the Bar Top.



The cuts for the center opening must be perfectly straight and smooth so the trim can fit flush. I recommend cutting the opening so 1/16" to 1/8" of material still needs to be removed and using your router to true the edges to the exact dimensions.

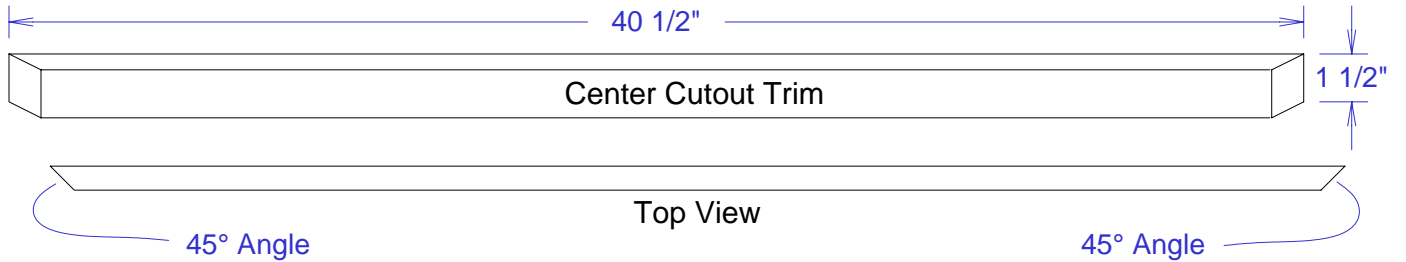
Attach three perfectly straight pieces of 3/4" thick wood along the edges of the cutout to serve as router guides as shown below. **Be sure to attach these strips to the bottom side so you don't have screw holes showing on the top.** Use a straight router bit with a bearing on the end and a 1" cutting depth. Turn the workpiece over and carefully run the router along the edge guides with the bit bearing following the edge guides.

After truing up the edges with your router, the inside corners will need to be carefully trimmed with a file.

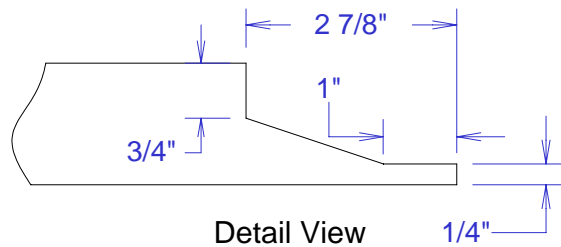
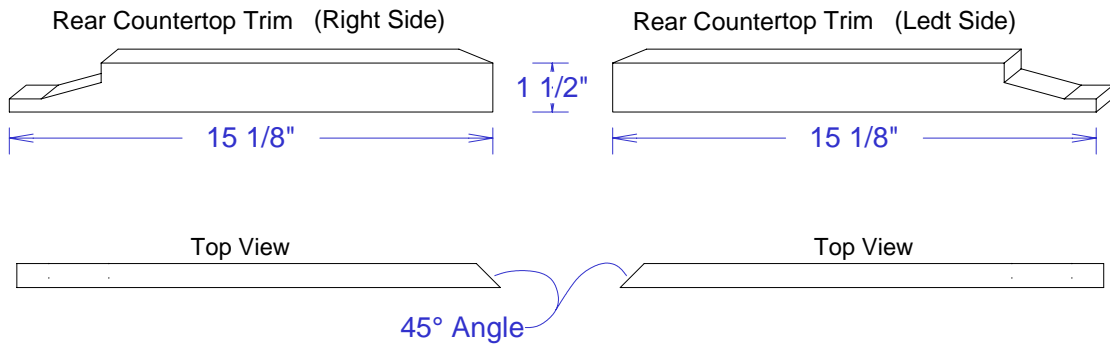
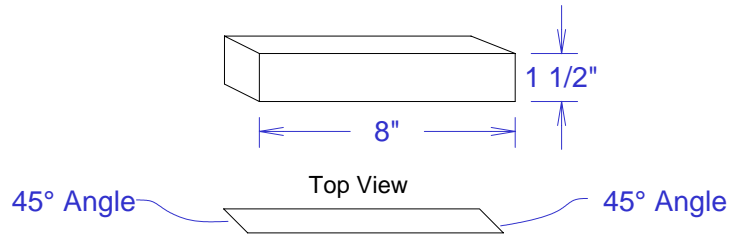


Bar Top Rear Trim

Page 12



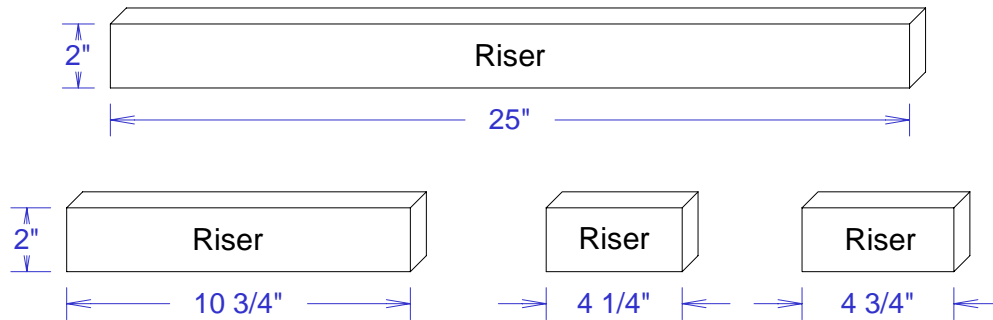
Side Cutout Trim (Two Required)



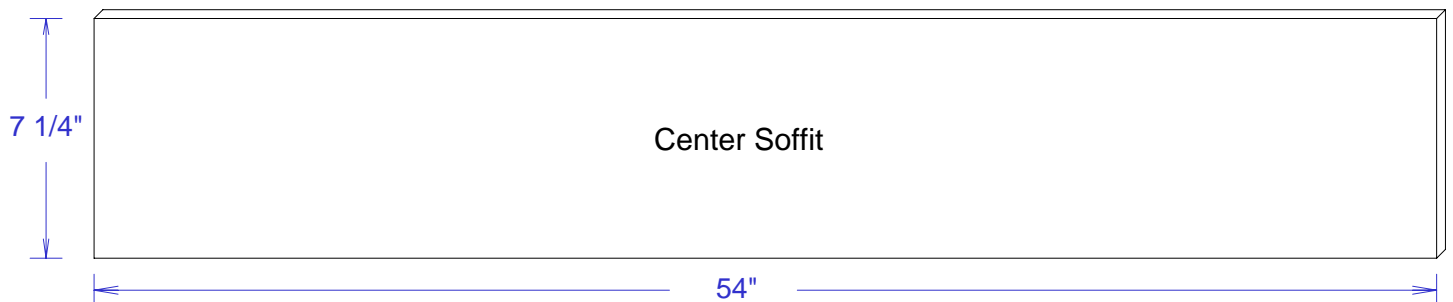
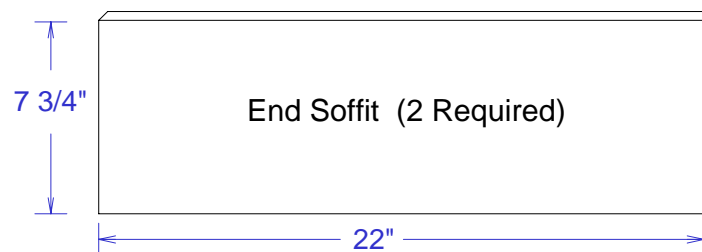
Countertop trim pieces are all cut from 1 1/2" by 3/4" solid oak.

Risers & Soffit

Page 13



All the risers are 5/8" thick and 2" wide. Since armrest dimensions may vary, the lengths given in the drawings above should be considered guidelines only. Wait until you're ready to assemble the Bar Top before cutting the risers. Then you can tell exactly how long they need to be.



The soffit pieces are used as trim between the armrest molding and the cabinet panels. These pieces also serve to support the outer edges of the molding.

The soffit is made from 1/2" plywood. The dimensions given in the drawings above should be considered guidelines only. As with the risers, wait until you're ready to assemble the Bar Top before cutting the soffit. Then you can tell exactly what the dimensions should be.

Materials List - Drawers & Wine Racks

Drawers Materials List

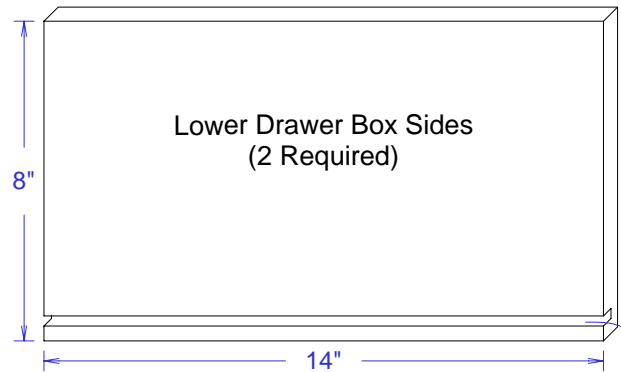
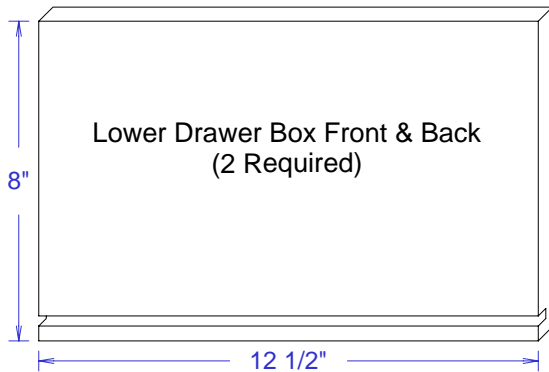
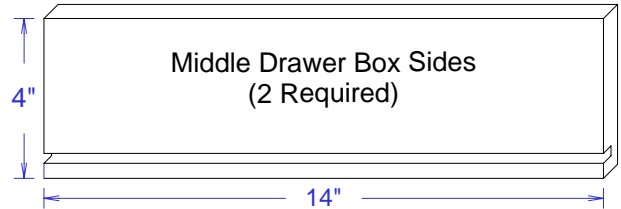
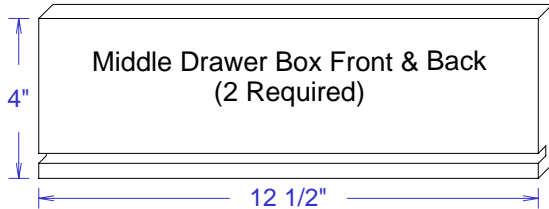
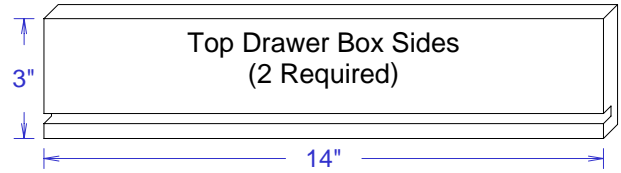
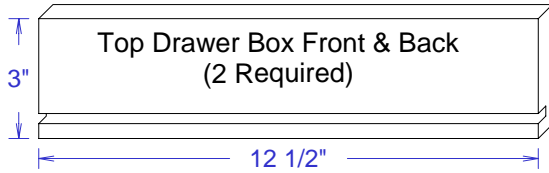
Qty	Size	Material	Item Name
2	12 1/2" X 3"	1/2" Oak Plywood	Top Drawer Box Front & Back
2	12 1/2" X 4"	1/2" Oak Plywood	Middle Drawer Box Front & Back
2	12 1/2" X 8"	1/2" Oak Plywood	Lower Drawer Box Front & Back
2	14" X 3"	1/2" Oak Plywood	Top Drawer Box Sides
2	14" X 4"	1/2" Oak Plywood	Middle Drawer Box Sides
2	14" X 8"	1/2" Oak Plywood	Lower Drawer Box Sides
3	13 1/2" X 13"	1/4" Hardboard	Drawer Bottoms
1	15 1/2" X 5"	3/4" Solid Oak	Top Drawer Front
1	15 1/2" X 6"	3/4" Solid Oak	Middle Drawer Front
1	15 1/2" X 10"	3/4" Solid Oak	Lower Drawer Front
3	14"		Drawer Slide Set

Wine Rack Materials List

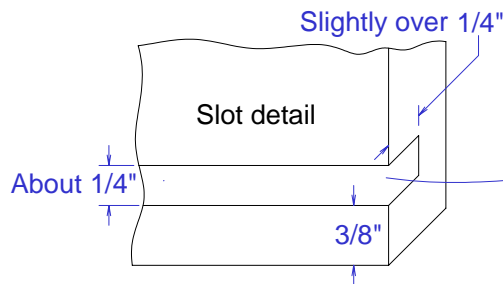
Note: This materials list is for two wine racks.

Qty	Size	Material	Item Name
2	18" X 14"	3/4" Oak Plywood	Wine Rack Bottom
2	18 3/4" X 2 3/4"	3/4" Solid Oak	Wine Rack Front
2	18" X 1 1/4"	3/4" Solid Oak	Wine Rack Back
6	12 1/2" X 3"	3/4" Solid Oak	Wine Rack Center Divider
4	12 1/2" X 1 1/2"	3/4" Solid Oak	Wine Rack Side
2	14"		Drawer Slide Set

Drawer Box Sides, Fronts, and Backs



Drawer boxes are made of 1/2" plywood

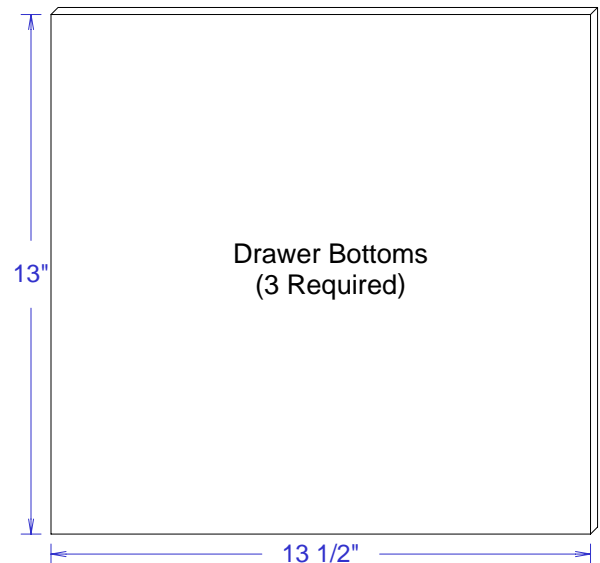
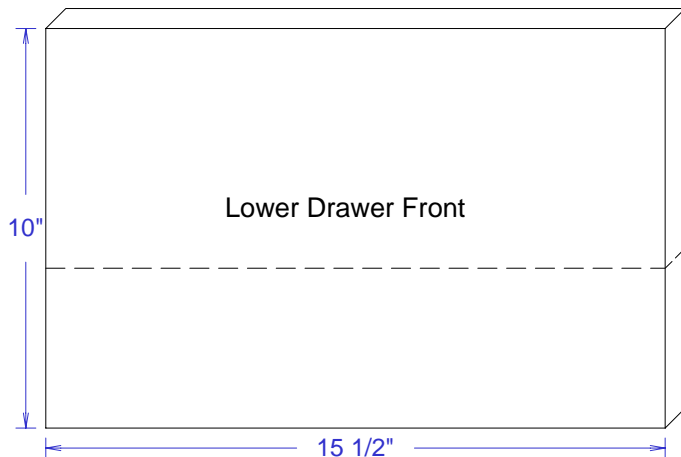
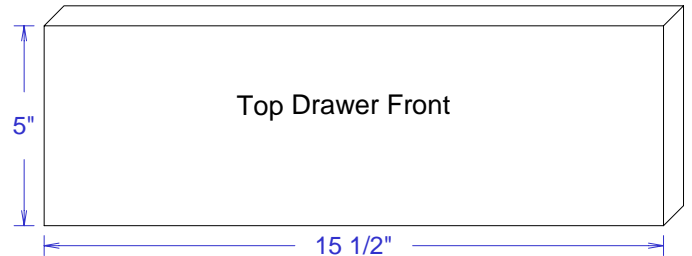
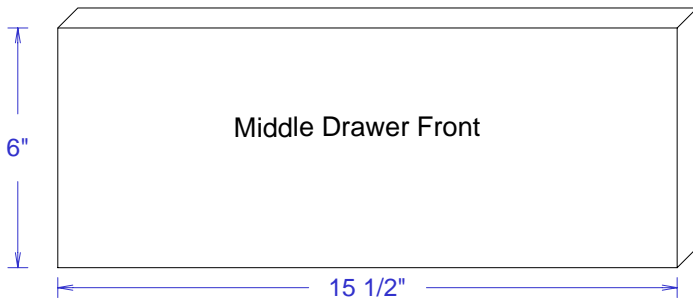


If your plywood is exactly 1/2" thick, the above dimensions will produce a finished drawer width of 13 1/2". This leaves 1/2" on each side for the drawer slides. If your plywood is not exactly 1/2" thick, you will need to adjust the length of fronts and backs accordingly so your finished drawer box width is 13 1/2". The drawer box sides should still be 14".

You'll need to cut a slot just slightly more than 1/4" deep along the the bottom of each of the drawer box sides, fronts, and backs. This slot should be 3/8" from the bottom and slightly wider than the thickness of the bottom material.

Drawer Fronts & Bottoms

Page 16



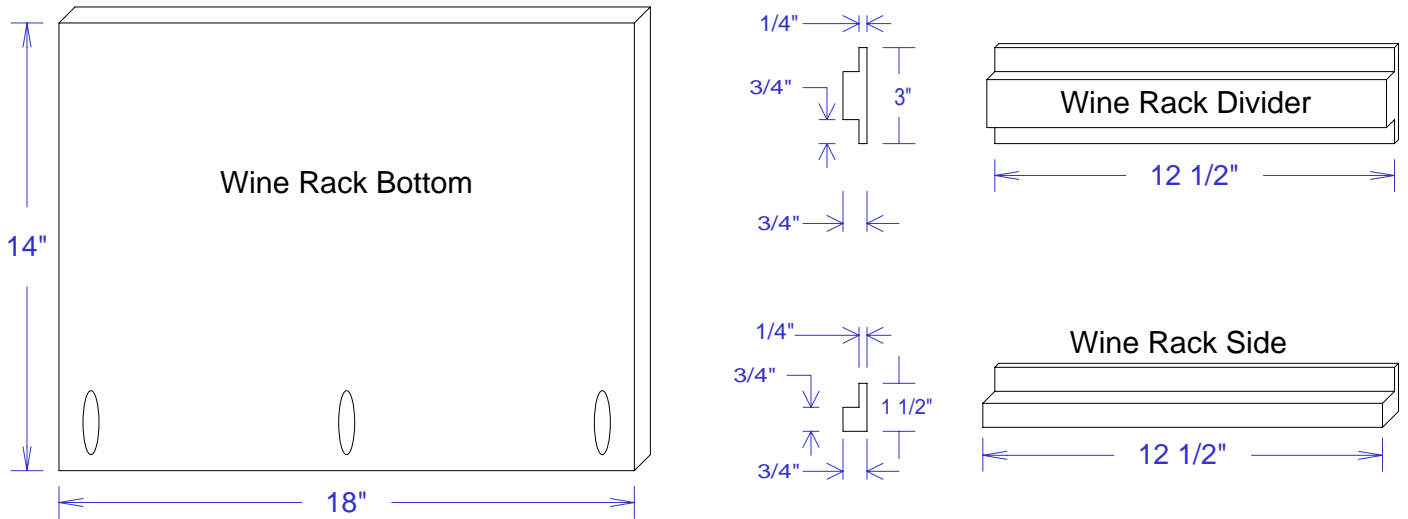
Drawer fronts are made from 3/4" solid oak.

Cut the Drawer Fronts from 3/4" solid oak. You'll probably need to glue up some narrower pieces for the bottom drawer front. The cutout diagrams show a 6" and 4" section for making the lower Drawer Front. The fronts will be attached to the boxes and are wider and taller than the boxes so they will overlap the rear cabinet trim. After cutting the fronts to the correct dimensions, you'll want to put a decorative edge along the edges with your router. I used an ogee bit on the prototype but it's all a matter of taste.

You'll need three drawer bottoms. These are all the same size. You can use 1/4" thick hardboard or 1/4" thick plywood as you prefer.

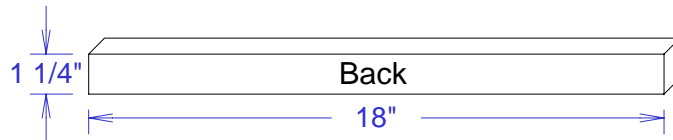
Wine Racks

Page 17

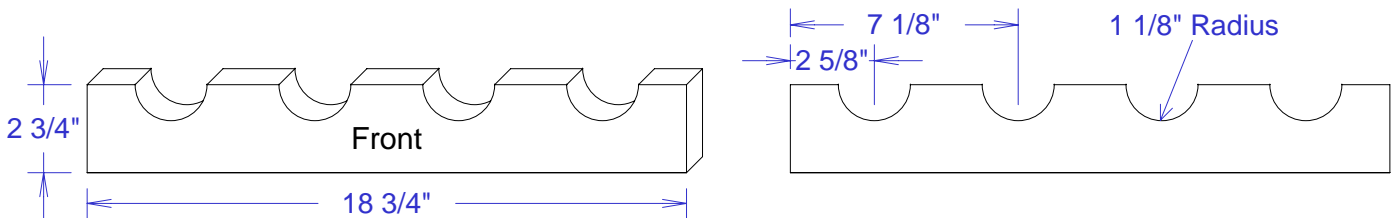


Cut the wine rack bases 18" wide by 14" deep from 3/4" oak veneered plywood. Drill three pocket holes along the front edge of the top surface as shown. One in the center and one on each side about one inch from the edges. You'll need one base for each wine rack you add to your bar.

Cut the dividers from 3/4" solid oak as shown above. You'll need three dividers and two sides per wine rack.



Cut the wine rack backs 18" wide by 1 1/4" high from 3/4" solid oak. You'll need one back per wine rack

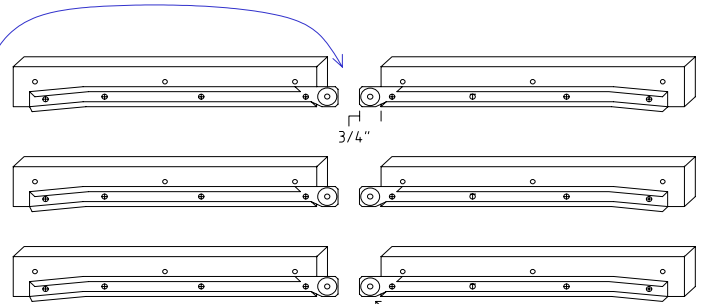


Cut the wine rack fronts 18 3/4" wide by 2 3/4" high from 3/4" solid oak. Cut the half circle cutouts as shown above.

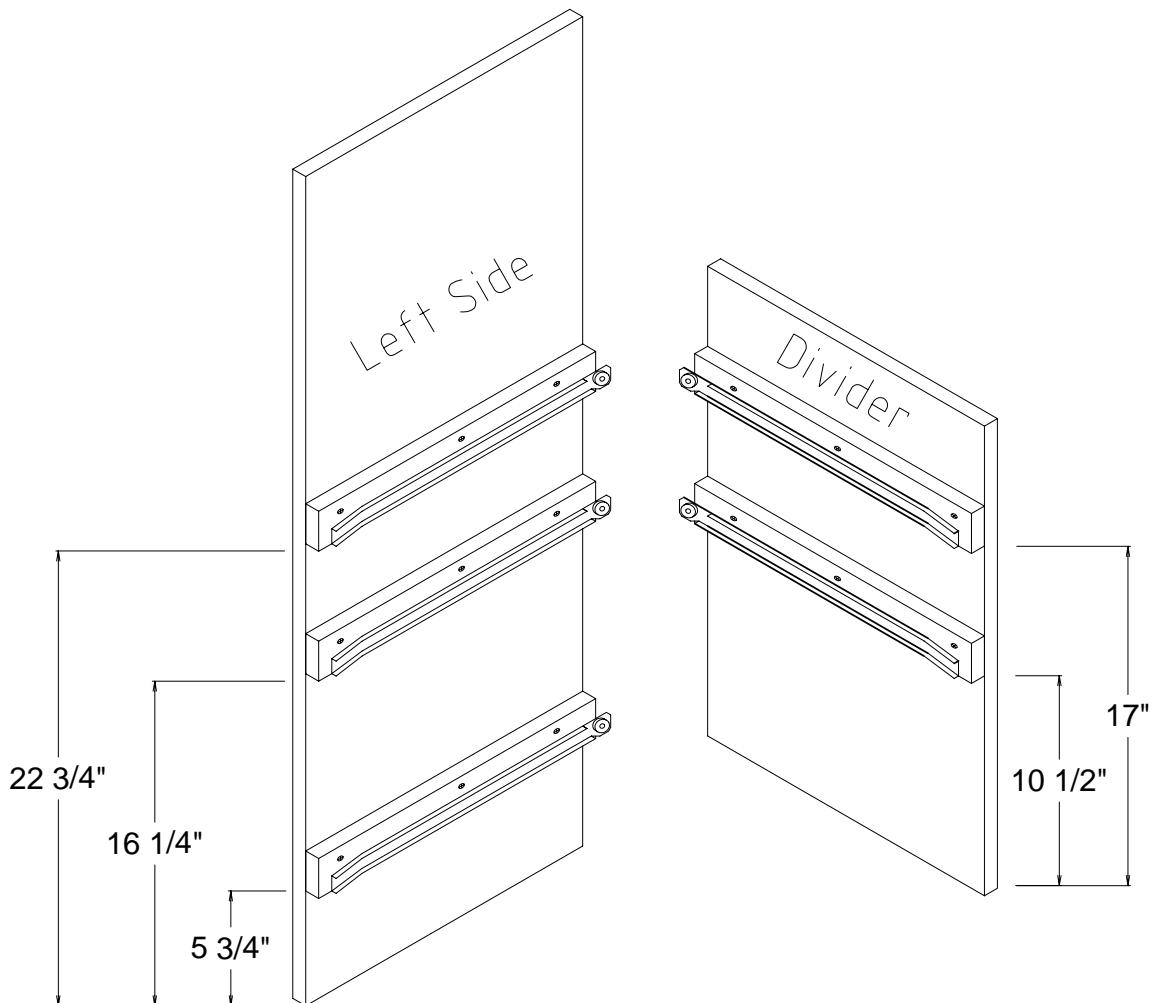
Attach Drawer Slides

Page 18

If you will be adding drawers to your bar, attach the drawer slides to cleats as shown. Three must have the roller on the right and three must have the roller on the left. The lowest part of the drawer slide must be flush with the bottom of the cleat. The roller section must protrude past the end of the cleats by $\frac{3}{4}$ " (the thickness of the trim).



Lowest part of drawer slide is flush with bottom of wood

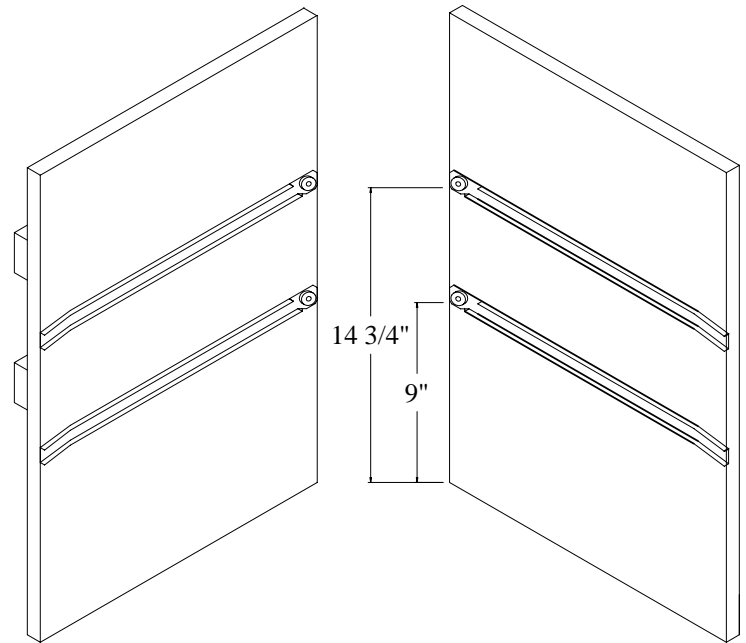


Attach three cleats with drawer slides to the left side as shown above. Attach two cleats with drawer slides to left divider panel as shown above. Note: The bottom cleat and drawer slide for the left divider is attached to the bottom with pocket holes later. It will then provide a way to attach the left divider to the bottom.

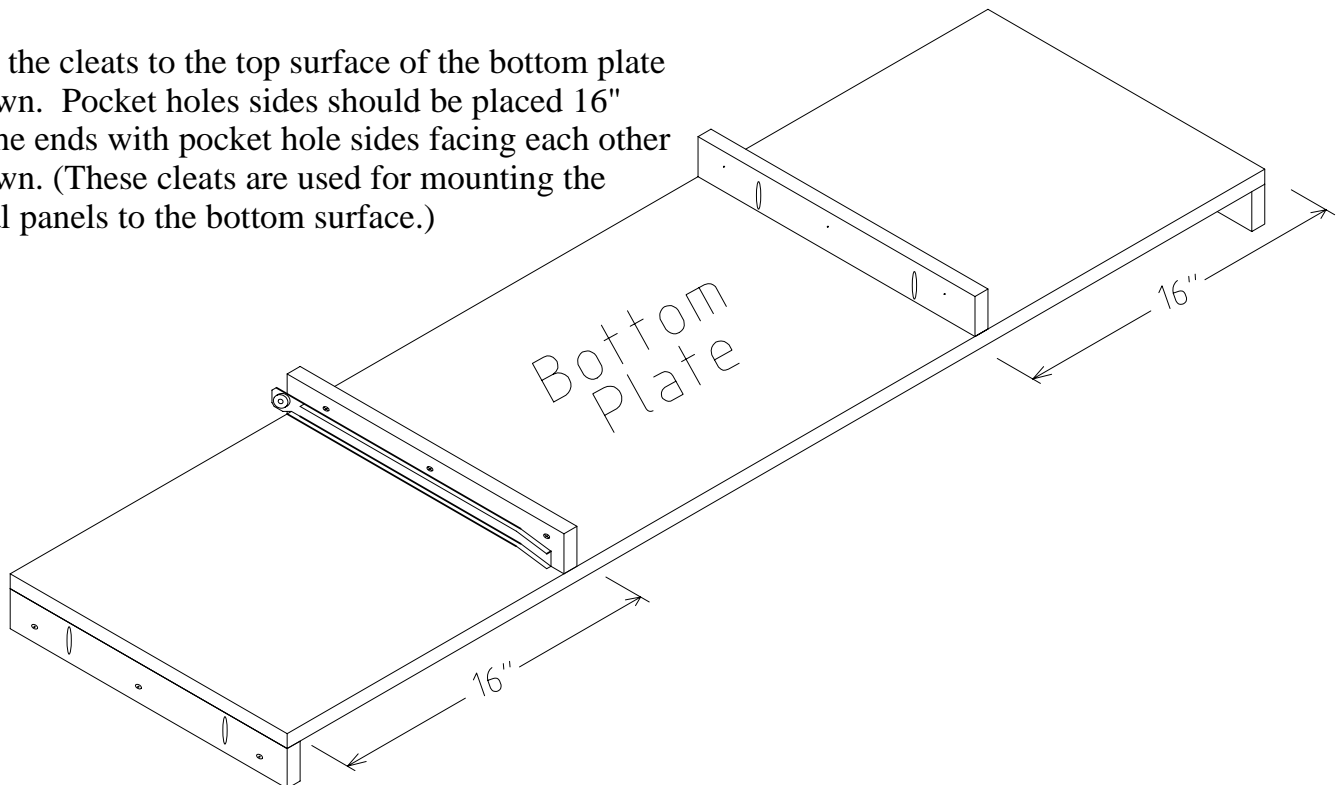
Attach Wine Rack Slides - Assemble Bottom

Page 19

If you will be including wine racks, in your bar, attach the drawer slides to the divider panels as shown. Note: the drawer slides for the wine racks do NOT protrude 3/4" past the edge of the divider panels. This is because the wine rack fronts will be flush with the opening while the drawer fronts will be on the outside of the opening.



Attach the cleats to the top surface of the bottom plate as shown. Pocket hole sides should be placed 16" from the ends with pocket hole sides facing each other as shown. (These cleats are used for mounting the vertical panels to the bottom surface.)

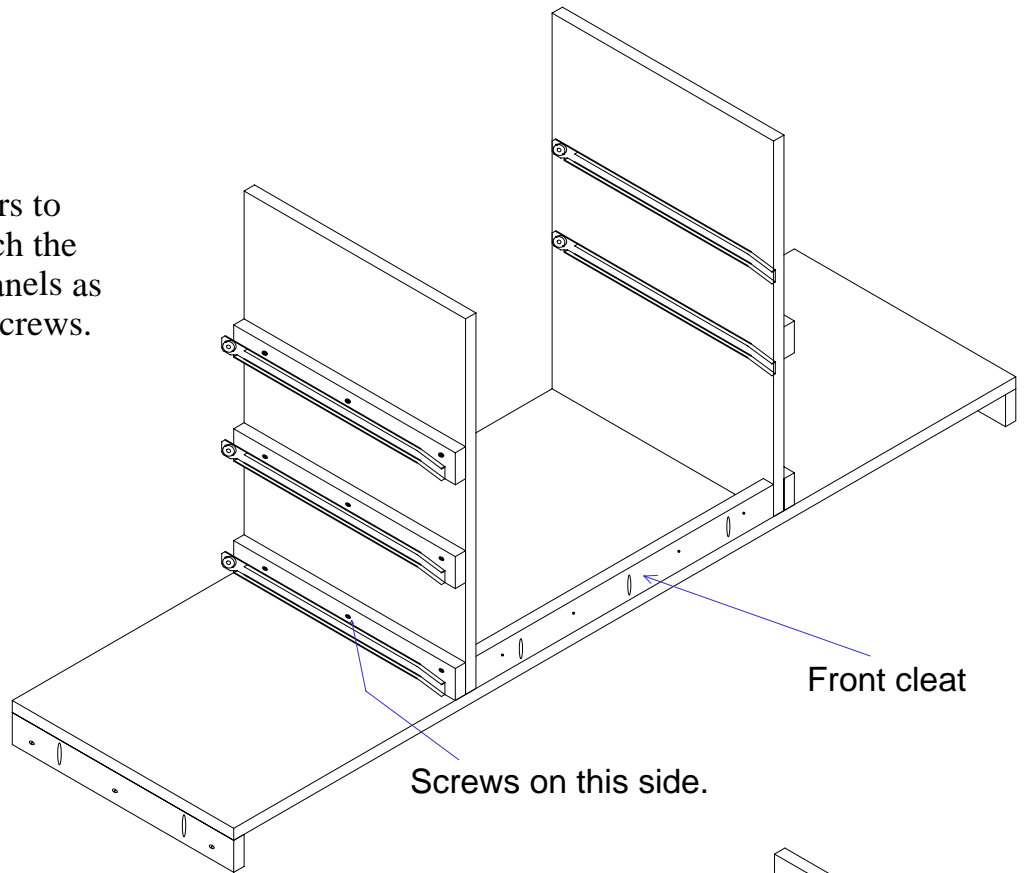


Attach two cleats to the ends of the bottom surface with pocket hole screws. These cleats are flush to the edges of the bottom.

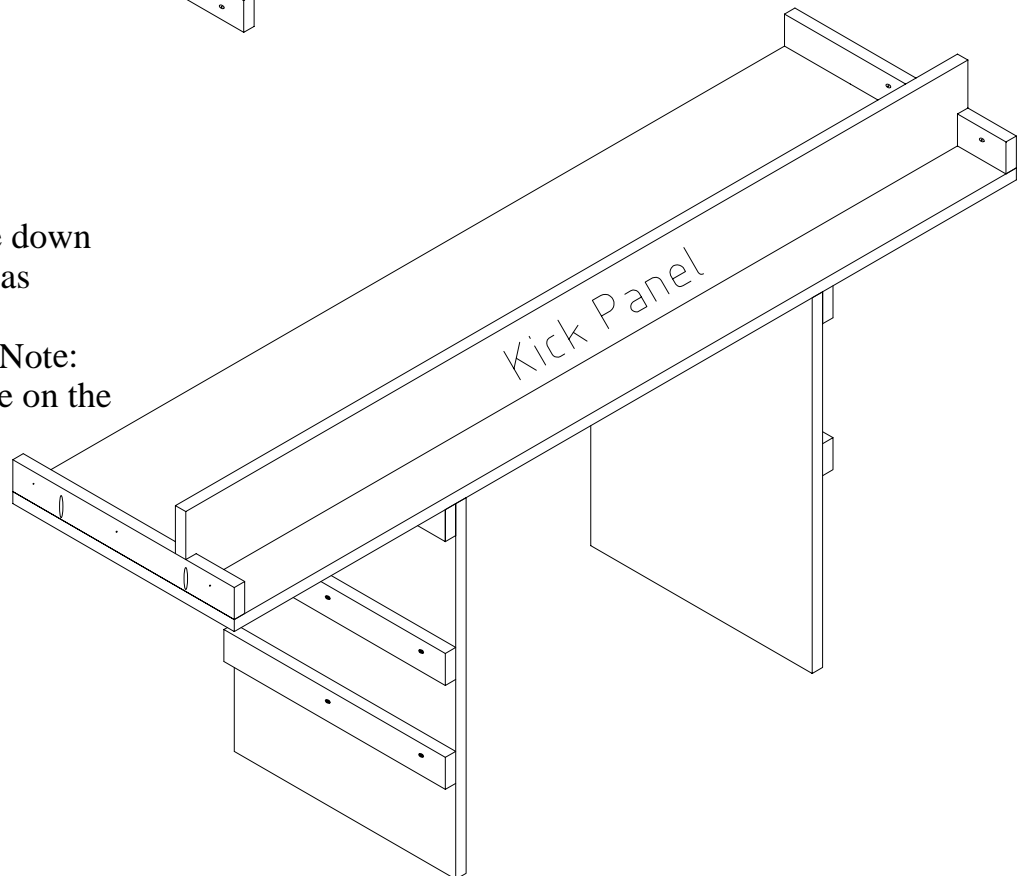
Attach Vertical Dividers & Kick Panel

Page 20

Attach the vertical dividers to the cleats as shown. Attach the front cleat between the panels as shown with pocket hole screws.



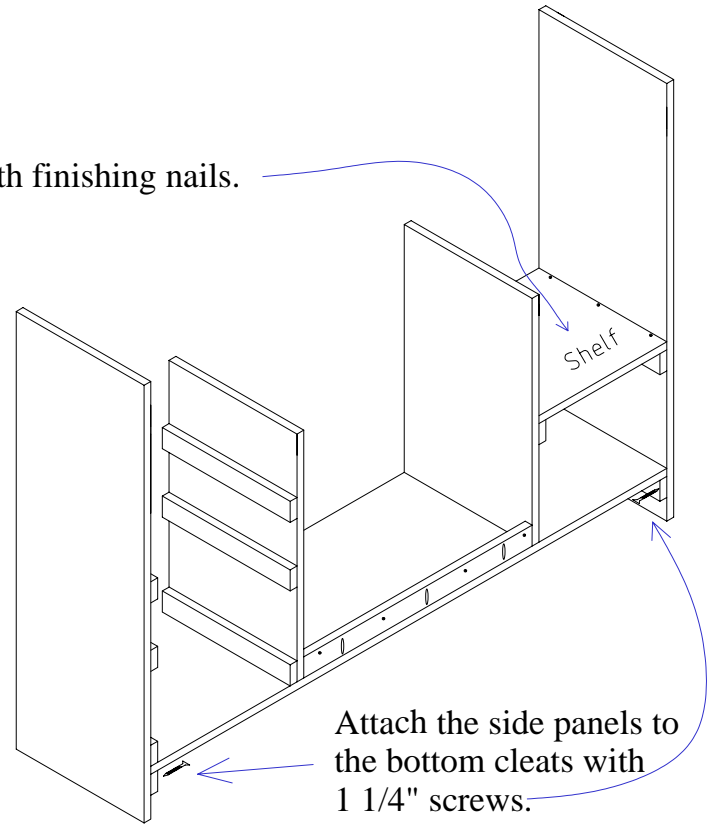
Turn the assembly upside down and attach the kick panel as shown with pocket hole screws. Note: the pocket hole screws are on the back side of kick panel.



Attach Side Panels and Work Shelf

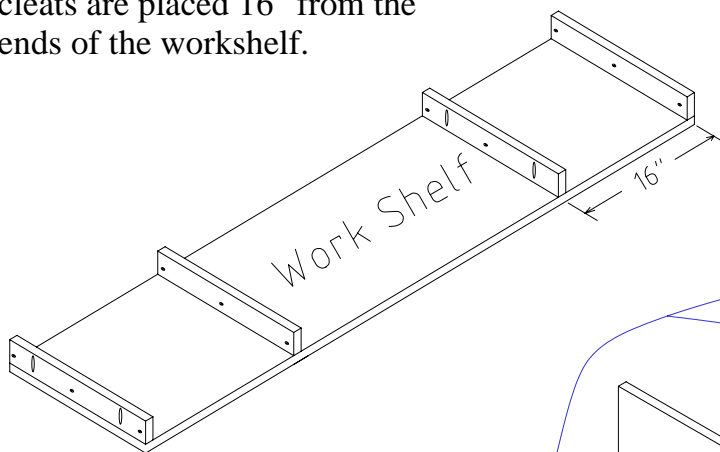
Page 21

Attach the small shelf to the cleats with finishing nails.



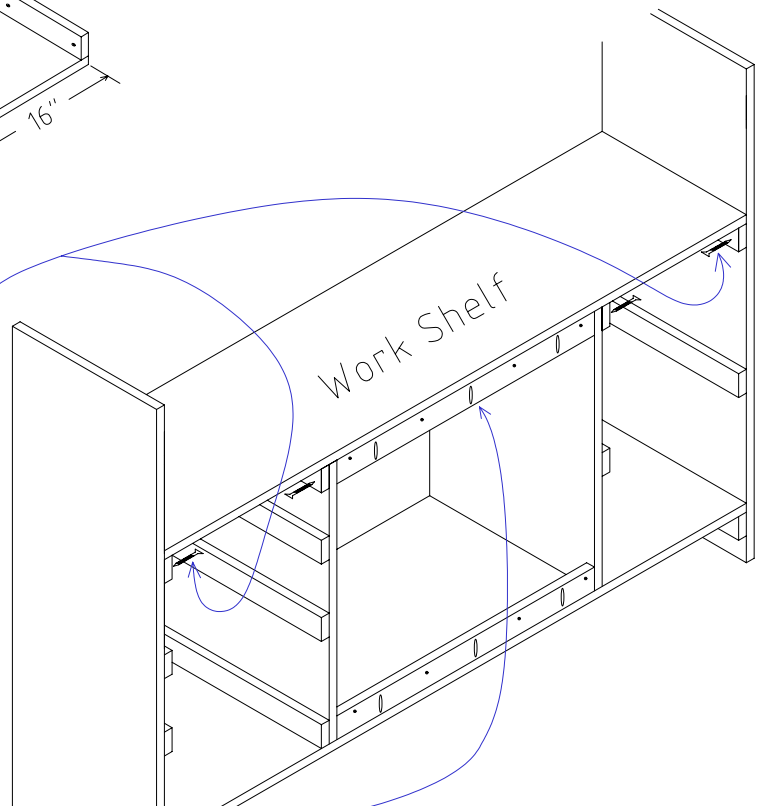
Now, attach the four cleats to the bottom side of the work shelf with pocket hole screws as shown. The end cleats have pocket holes facing out. The middle cleats have the pocket holes facing each other.

The pocket hole side of the middle cleats are placed 16" from the ends of the workshelf.



Place the work shelf (with cleats attached) on top of the vertical dividers and secure it to the sides and dividers with 1 1/4" screws through the cleats.

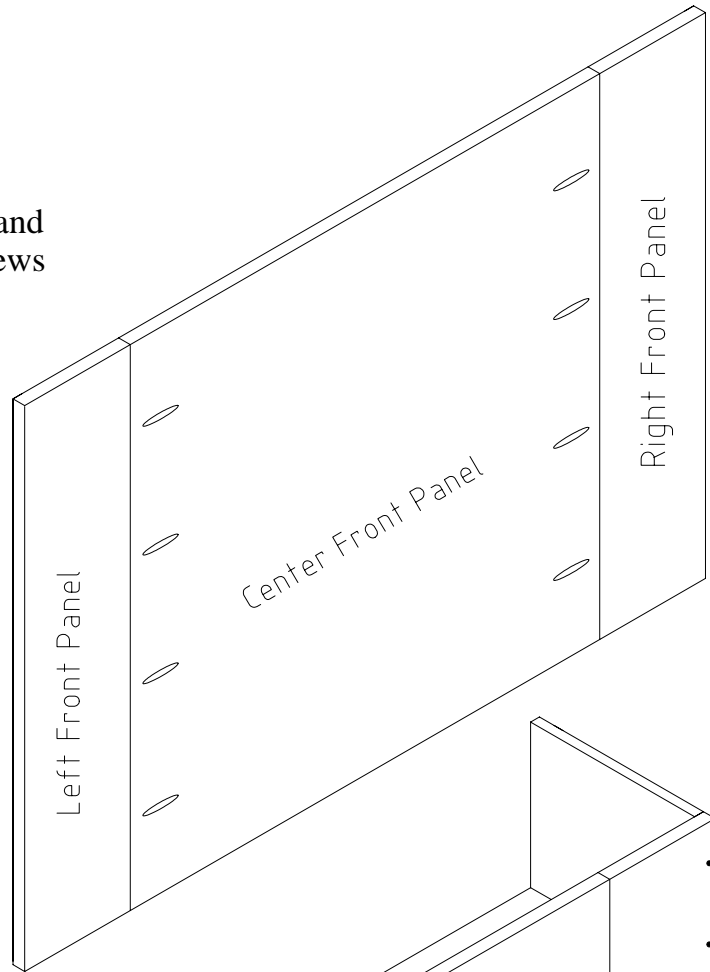
Attach the upper front cleat between the dividers with pocket hole screws.



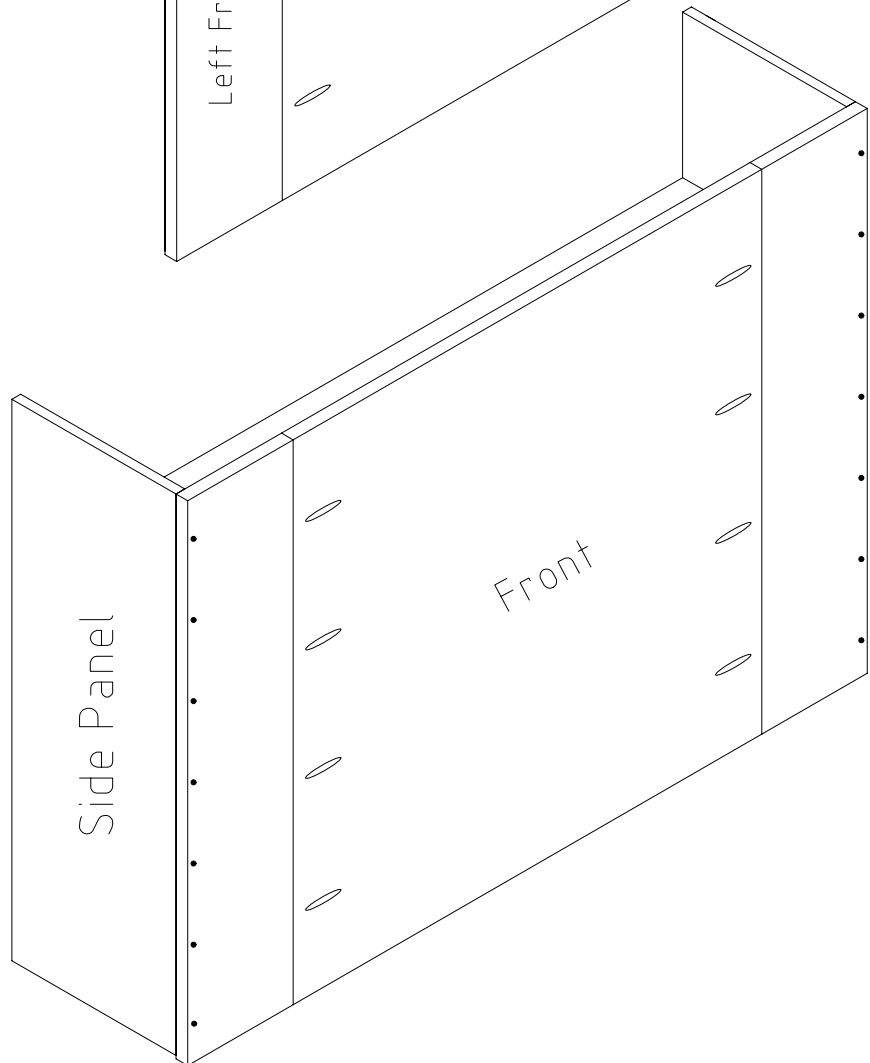
Assemble Front & Side Panels

Page 22

Assemble the three front pieces as shown and secure with pocket hole screws. These screws will be covered with trim later.

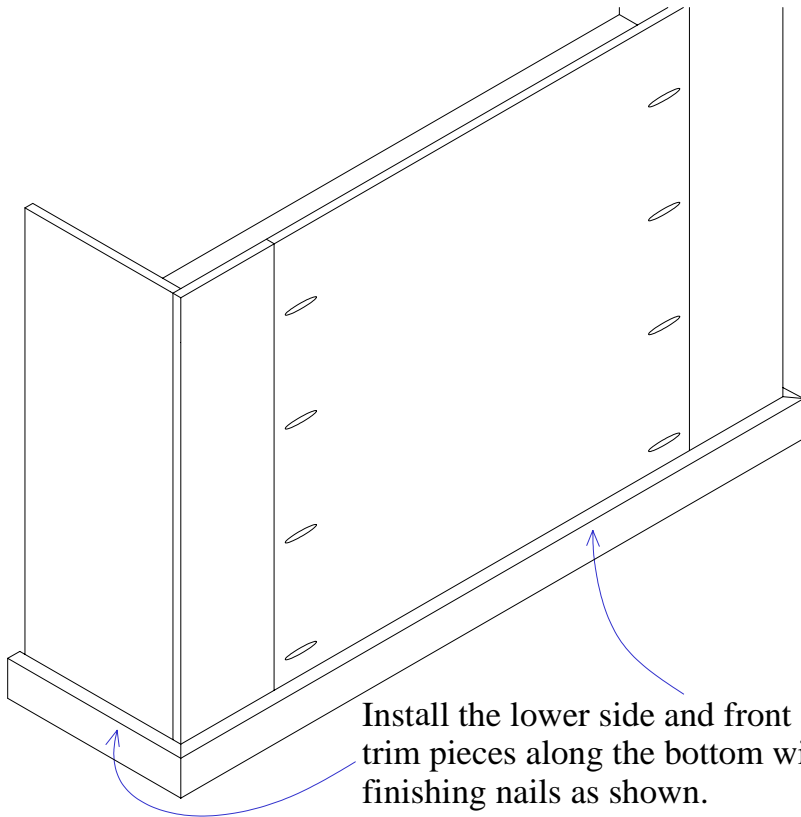


Attach the front to the cabinet assembly. Use finishing nails to attach the front to the sides (these nails will be covered with trim later.) From the back side, use 1 1/8" screws through the two front cleats to attach the front to the bottom and the workshelf.

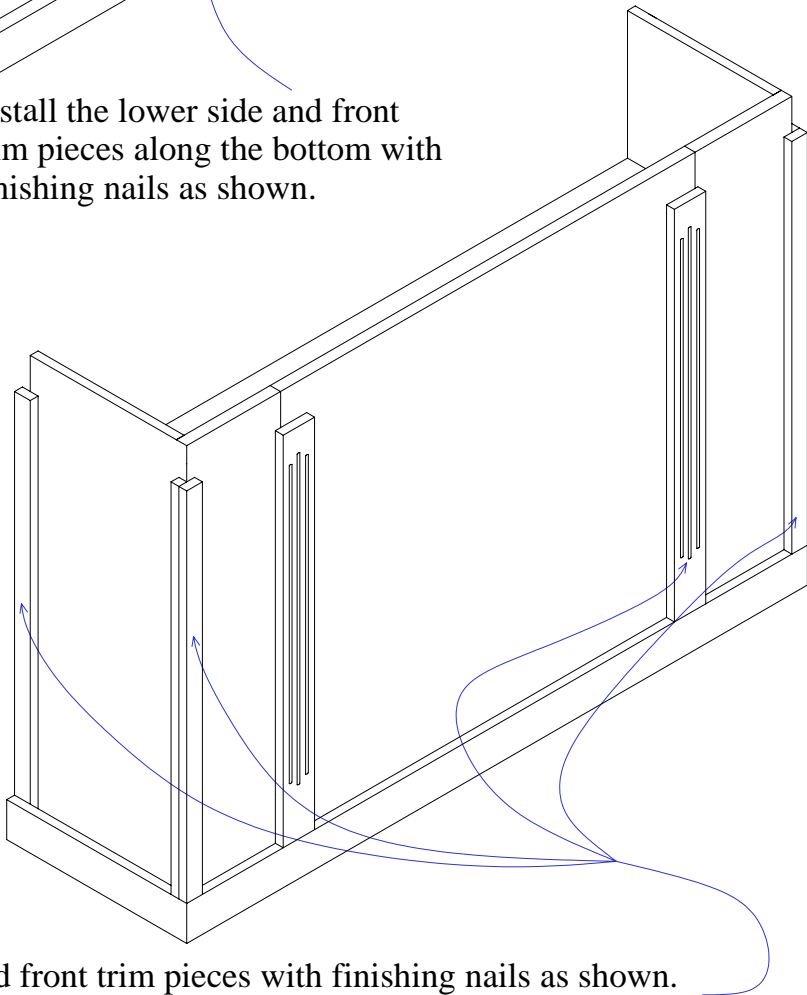


Attach Front and Side Trim

Page 23



Install the lower side and front trim pieces along the bottom with finishing nails as shown.

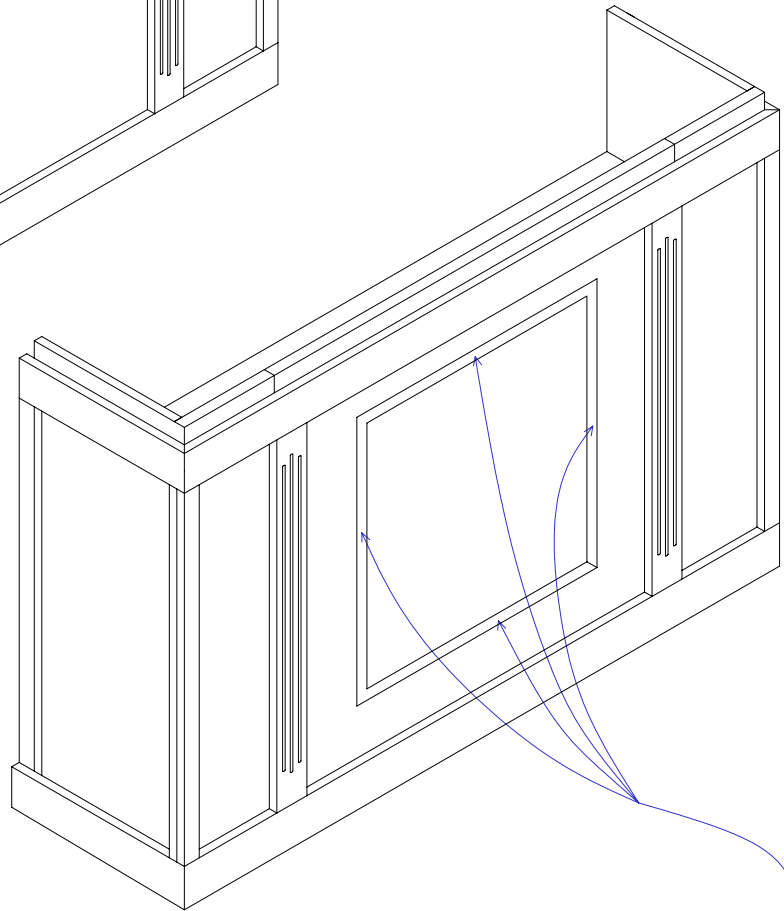
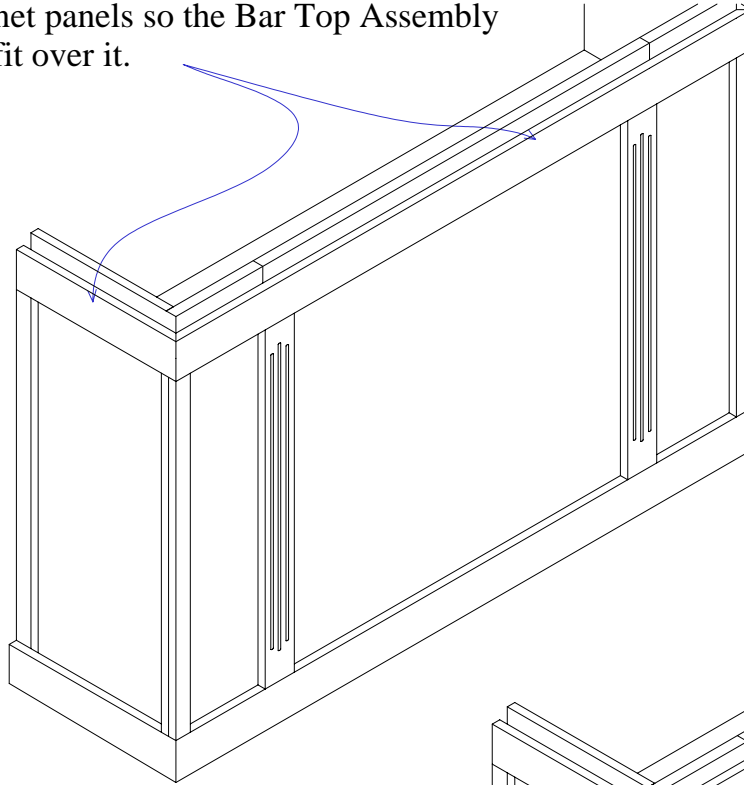


Install the vertical side and front trim pieces with finishing nails as shown.

Install Upper Horizontal Trim

Page 24

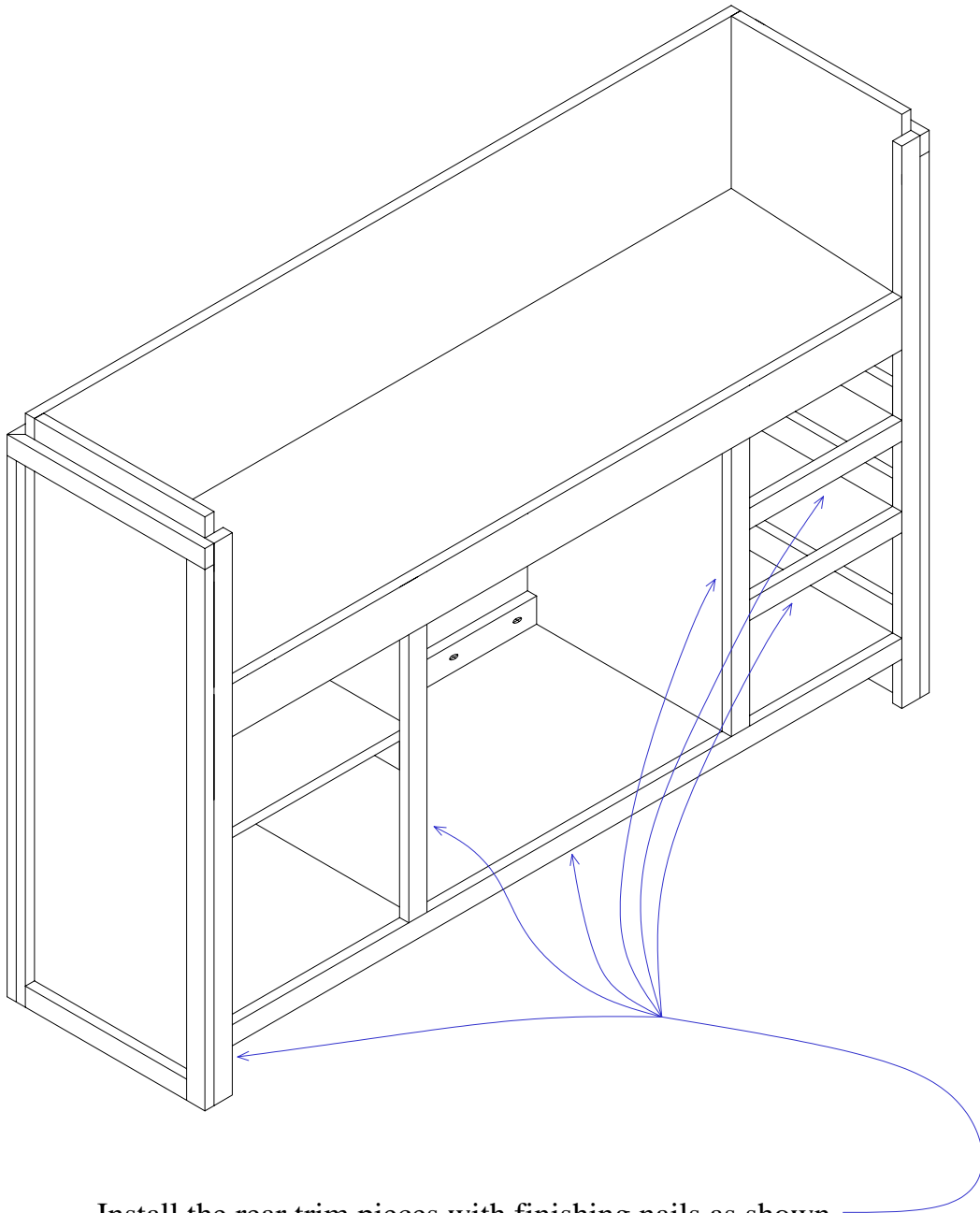
Install the top horizontal trim pieces with finishing nails as shown. This should leave a 1 1/8" space from the top of the cabinet panels so the Bar Top Assembly can fit over it.



Install the decorative frame molding with finishing nails as shown. Position the molding so the frame is centered side to side and slightly higher than centered top to bottom. The gap between the top of the frame and the top horizontal trim should be about 1" more than the gap between the bottom of the frame and the lower horizontal trim. If you center it top to bottom, it may actually look like it is too low because of an optical illusion.

Arrangement of Rear Trim

Page 25



Install the rear trim pieces with finishing nails as shown.

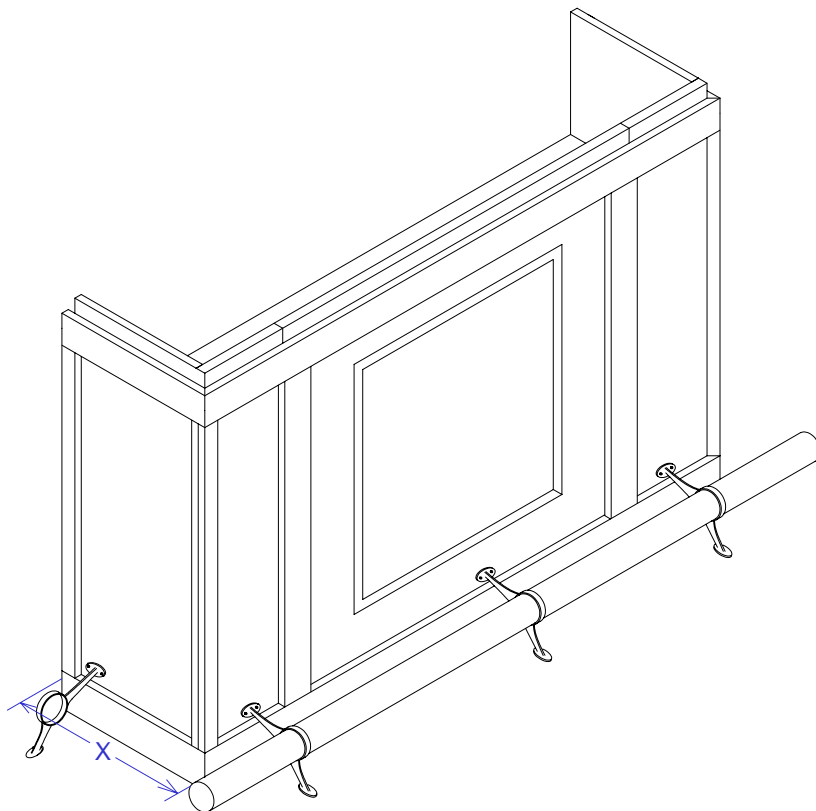
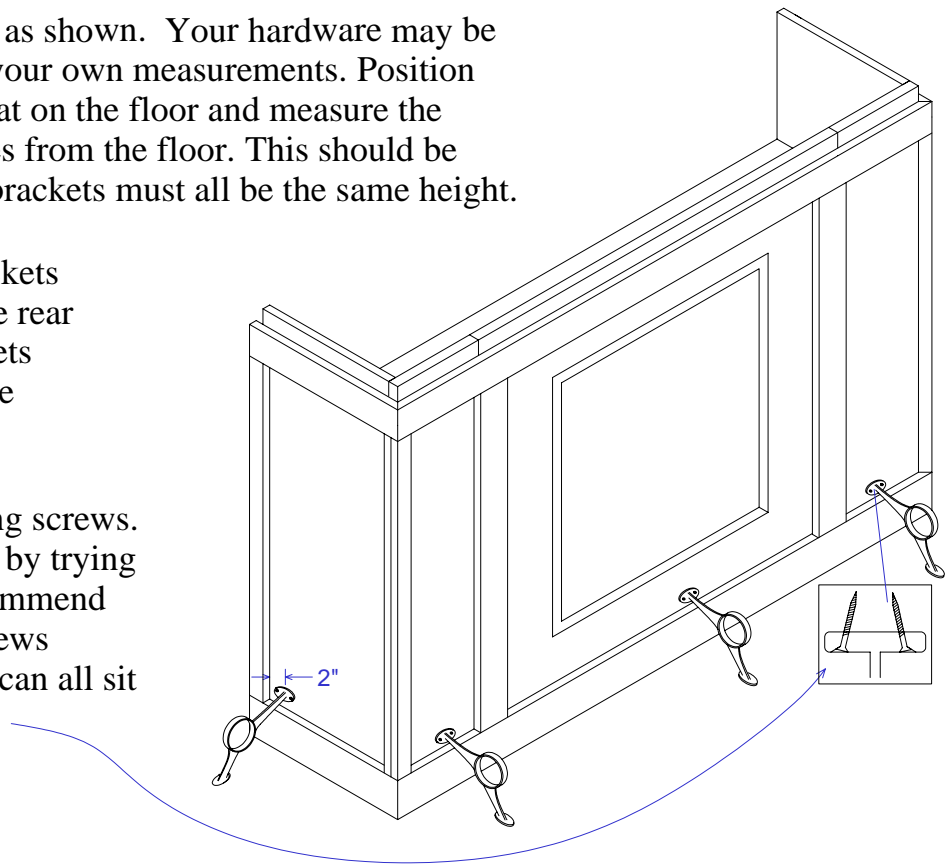
Install Brackets & Measure Side Rail Length

Page 26

Install the Foot Rail Brackets as shown. Your hardware may be different, so be sure to take your own measurements. Position one bracket so the foot sets flat on the floor and measure the distance of the mounting holes from the floor. This should be about 5 1/2". The rest of the brackets must all be the same height.

The rear edge of the side brackets should be two inches from the rear vertical trim. The front brackets should be centered side to side between the trim.

Note the angle of the mounting screws. You can get the correct angle by trying it on some scrap wood. I recommend you leave these mounting screws slightly loose so the brackets can all sit freely on the floor.



Place a piece of tubing in the front supports as shown and measure the distance "X". (The rear of the cabinet trim to the edge of the tubing.) This should be about nineteen or twenty inches.

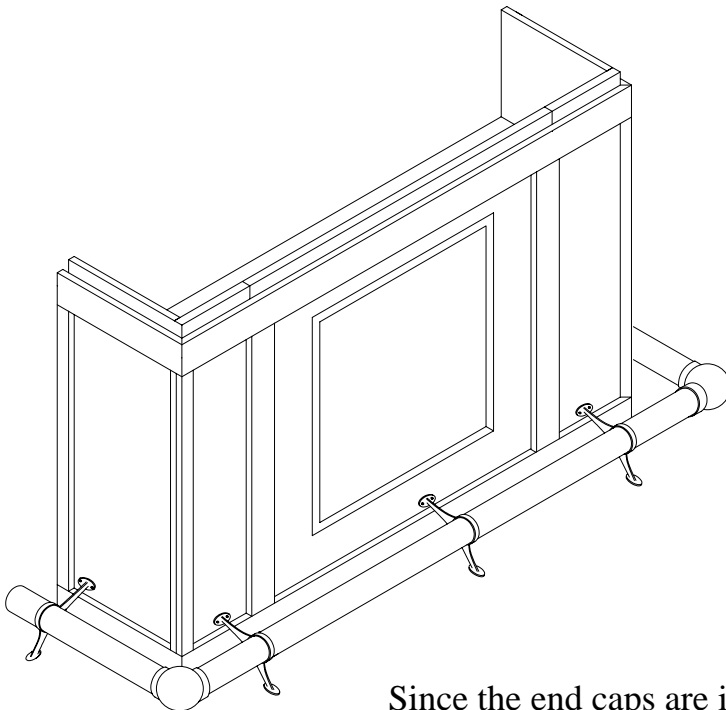
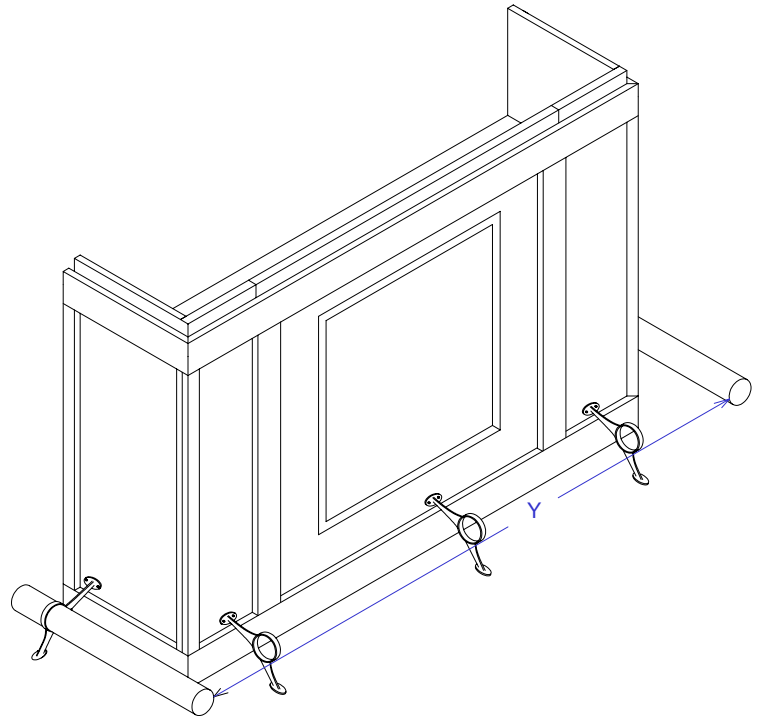
This will be the length of the tubing for the sides.

Measure Front Rail Length - Assemble Rails

Page 27

Insert a piece of tubing in each side support as shown. Have someone help you hold them so they are parallel to the cabinet and the floor. Measure the distance "Y".

This is the length of the front tubing.



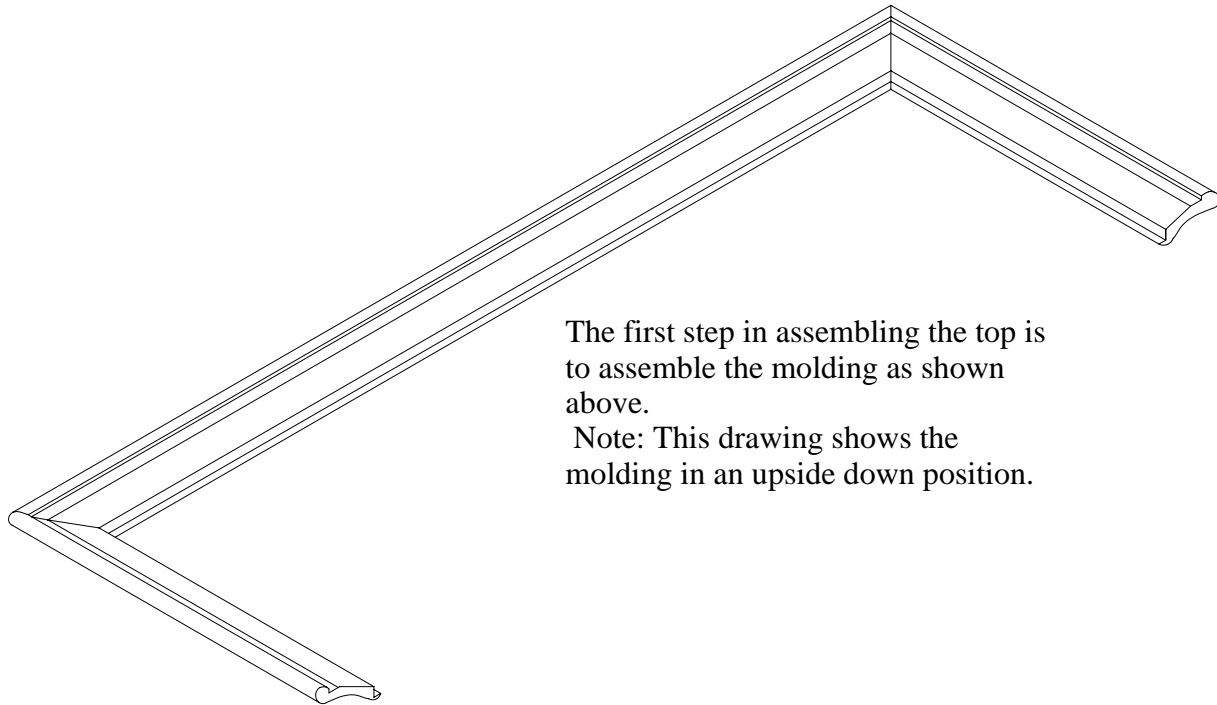
Assemble the rails as shown to the left. The end caps go into the rear of the side rail sections.

I recommend completely assembling the rail with the screws provided in the kit and tighten all the screws enough so they make visible marks on the brass rail sections. Then, disassemble the rail and drill 3/16" holes in the rail where the screw marks are so the screws will all fit flush with the bracket surfaces, elbow collar surfaces, and at the end caps.

Since the end caps are inserted into the ends of the rail sections, their screw heads will be on the outside of the rail section.

Assemble the Armrest Molding

Page 28



The first step in assembling the top is to assemble the molding as shown above.

Note: This drawing shows the molding in an upside down position.

The photos below show a couple of ways to attach the molding corners.

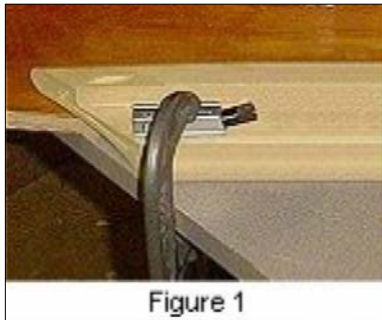


Figure 1

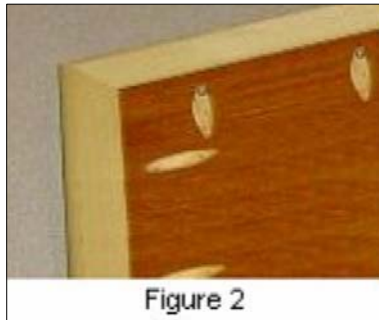


Figure 2

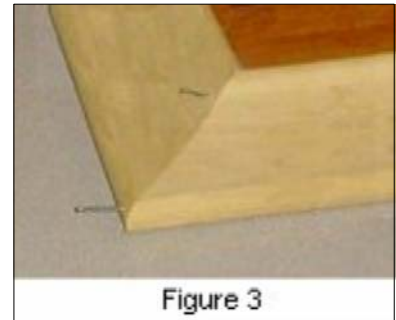


Figure 3

You can join the corners with pocket holes as shown in Figure 1. You'll need a small pocket hole jig for this. **Note: Be sure to place the pocket holes so the screws don't come through the top surface of the molding. Shorter screws may be necessary.** Apply glue and secure with pocket hole screws.

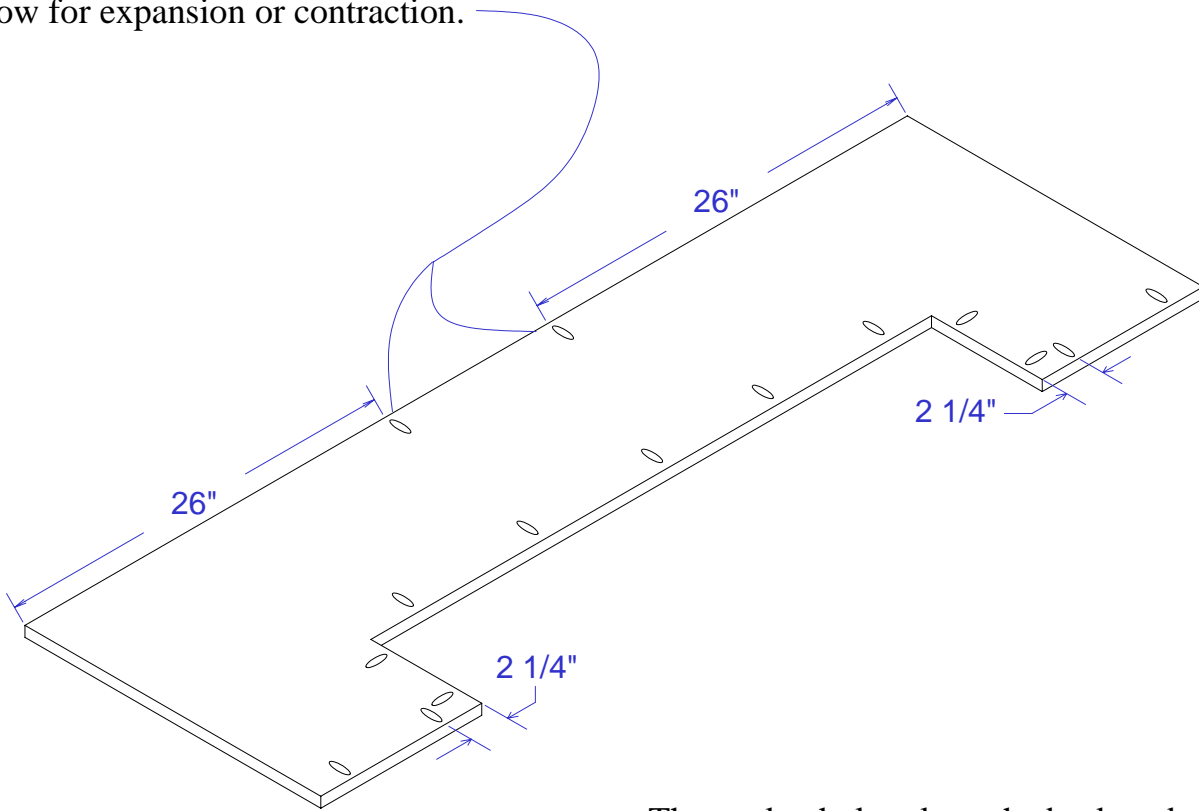
You can secure the joints with finishing nails by temporarily securing the corners using some scrap plywood with pocket hole screws as shown in Figure 2. Drill two pocket holes on each of two sides of the plywood. Glue some 100 grit sandpaper to the surface of the scrap plywood where it contacts the lip of the molding (This makes it grip tighter.) Apply glue to the molding joint then secure the molding with the scrap plywood to hold the joint firmly together.

Turn the assembly over and secure with two finishing nails as shown (**Be sure to pre-drill the nail holes so you don't split the wood**). Countersink the nails so you can fill with putty later. Then you can remove the scrap plywood. The soffit which will be added later will serve to re-enforce the corner joints.

Drill Pocket Holes in the Top

Page 29

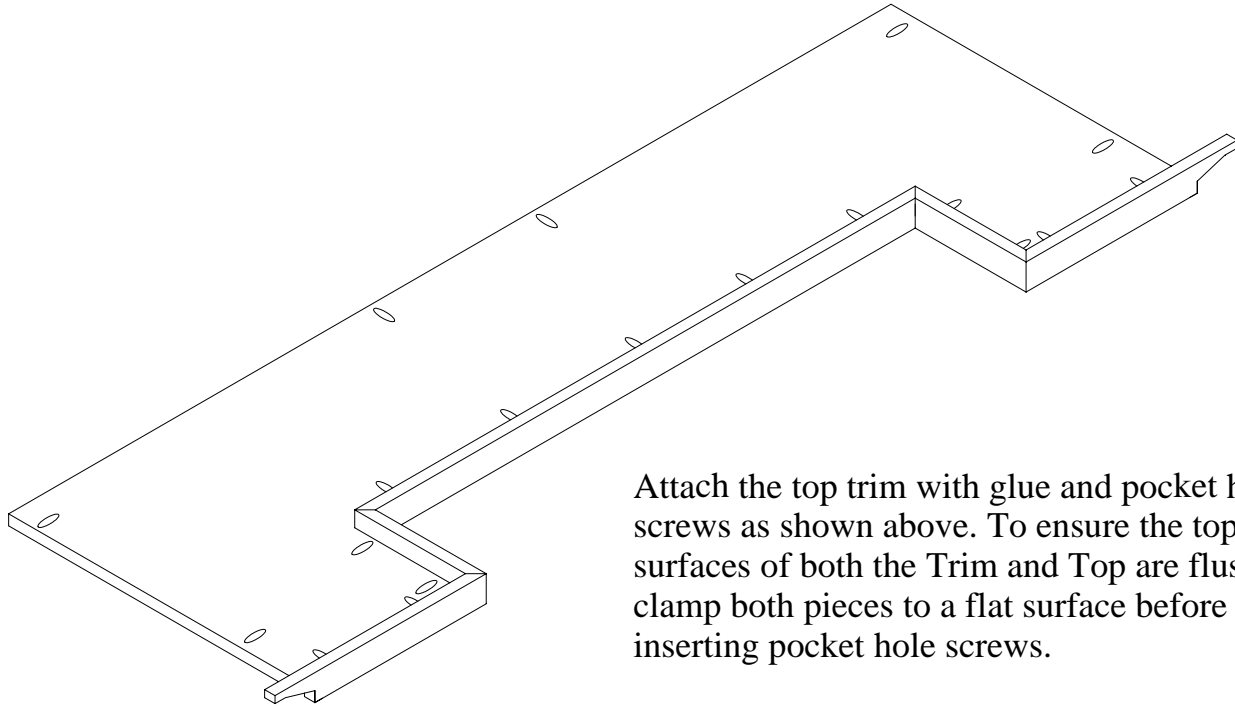
Drill pocket holes on the bottom surface of the top as shown. The two pocket holes along the long edge are used to secure the top to the molding. These two holes will keep the top centered in the molding and still allow for expansion or contraction.



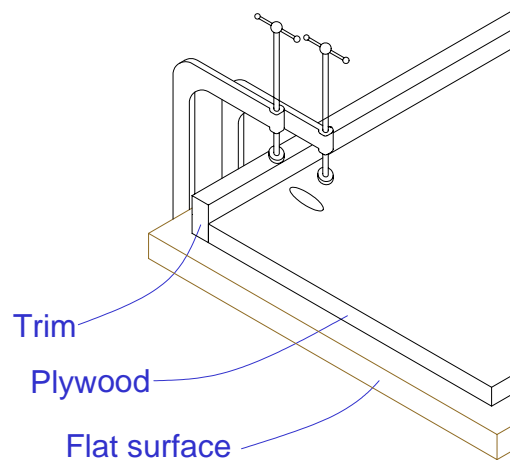
The pocket holes along the back and cutout are for mounting the trim. The ones that are not marked may be placed in approximately the position shown.

Attach Rear Trim to the Top

Page 30



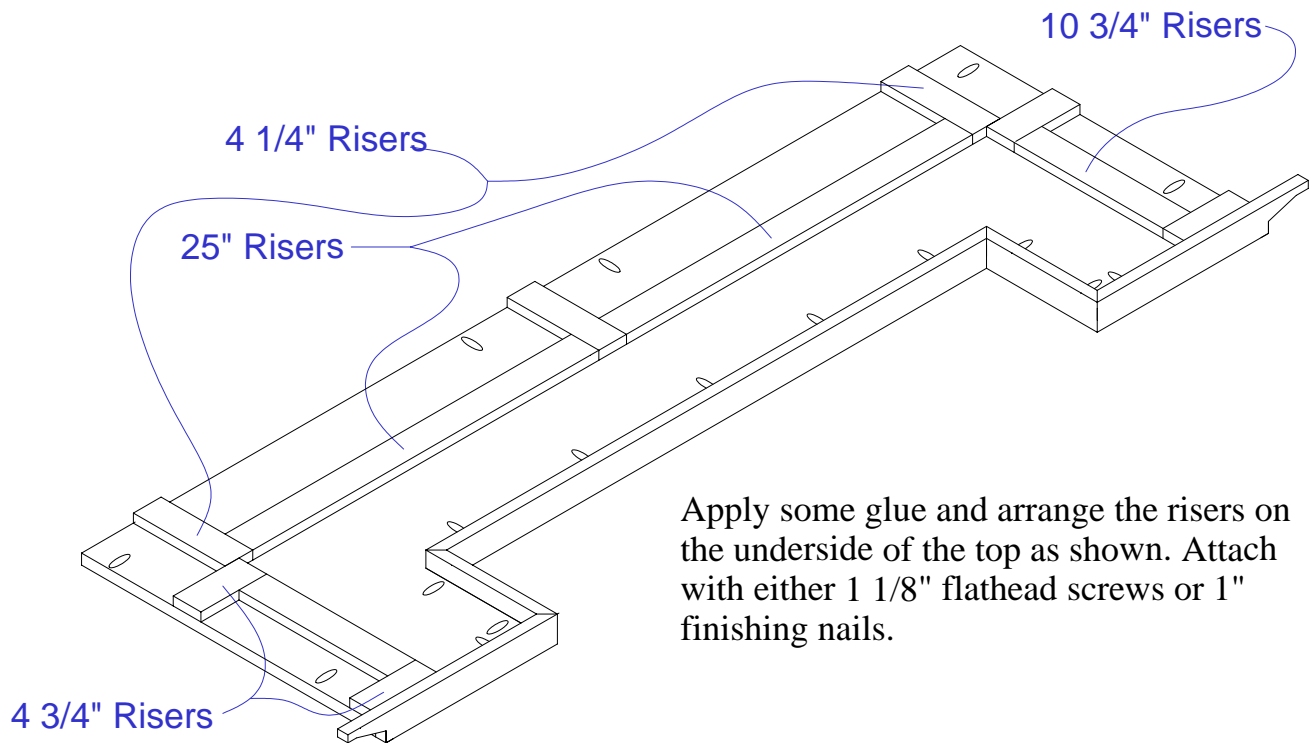
Attach the top trim with glue and pocket hole screws as shown above. To ensure the top surfaces of both the Trim and Top are flush, clamp both pieces to a flat surface before inserting pocket hole screws.



This illustration shows how to clamp a piece of trim to plywood. One clamp holds the trim piece flush to a flat surface and the other clamp holds the plywood flat to the same surface. In this case, the plywood represents the bar top. To keep the pieces flush along the whole piece, you'll want to move the clamps close to each pocket hole as you insert the screws. This will ensure the trim is flush with the top surface.

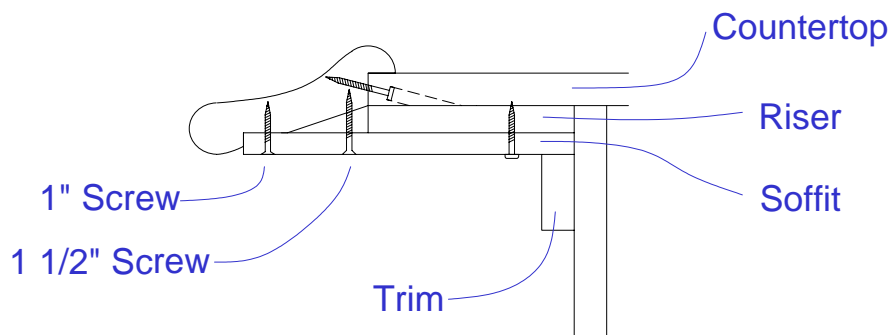
Attach Risers to the Top

Page 31



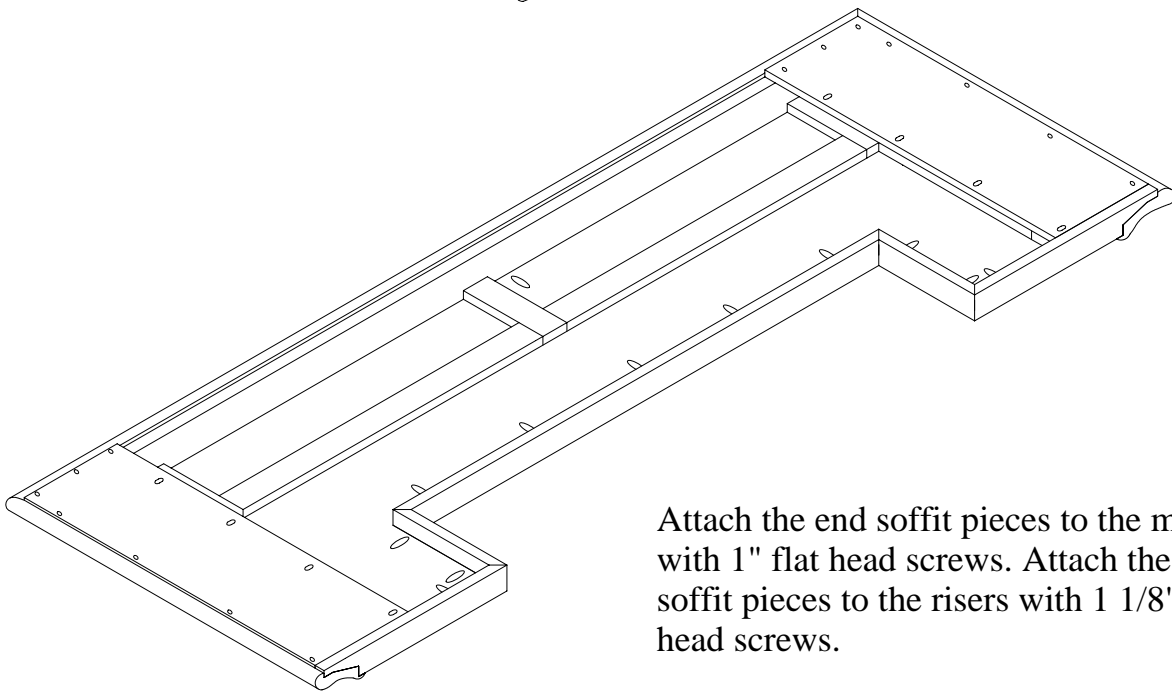
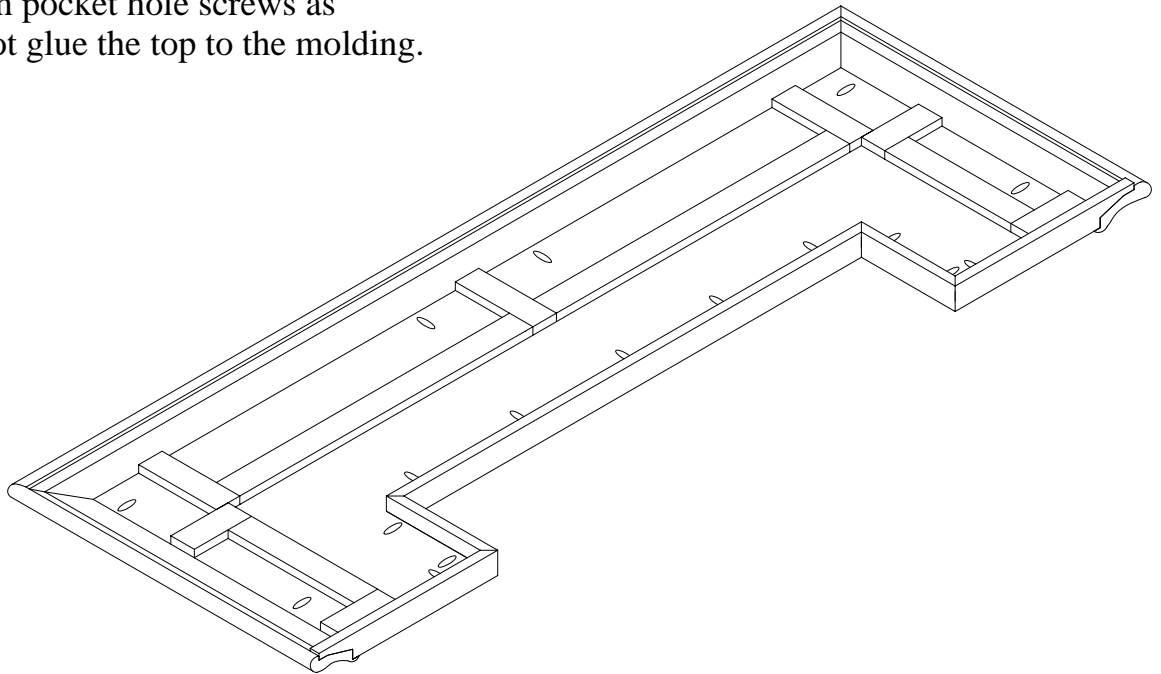
Apply some glue and arrange the risers on the underside of the top as shown. Attach with either 1 1/8\" flathead screws or 1\" finishing nails.

Note: Even though 1 1/8\" screws won't penetrate the plywood, they may cause unsightly bumps on the top surface. To avoid this, pre-drill the screw holes in the plywood with a bit slightly larger than the inner diameter of the threaded section of the screws.



The above illustration shows now the armrest molding, countertop, risers and soffit fit together.

Attach the assembled top to the molding assembly with pocket hole screws as shown. Do not glue the top to the molding.

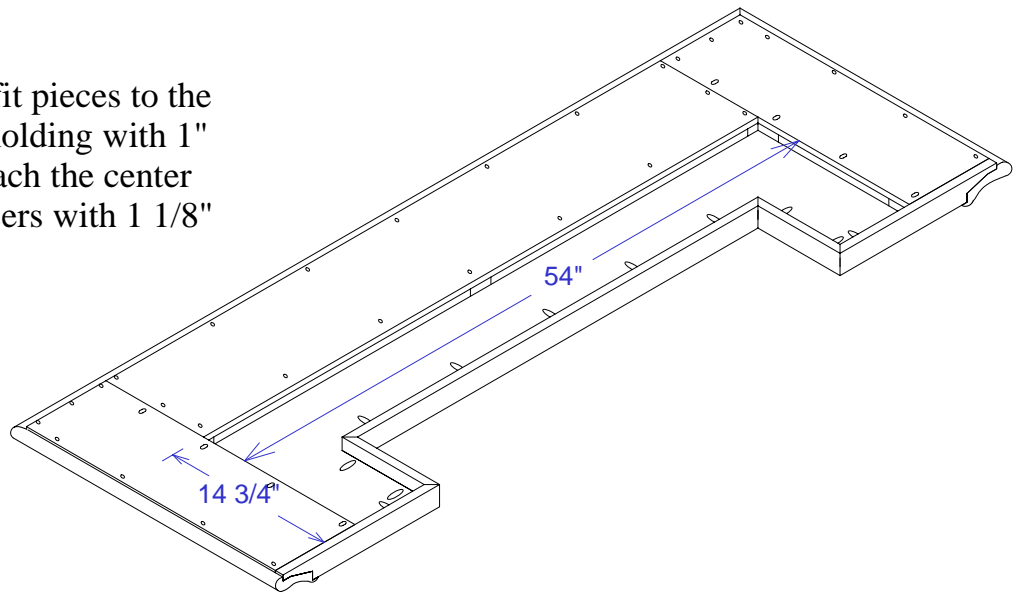


Attach the end soffit pieces to the molding with 1" flat head screws. Attach the end soffit pieces to the risers with 1 1/8" pan head screws.

Attach Center Soffit

Page 33

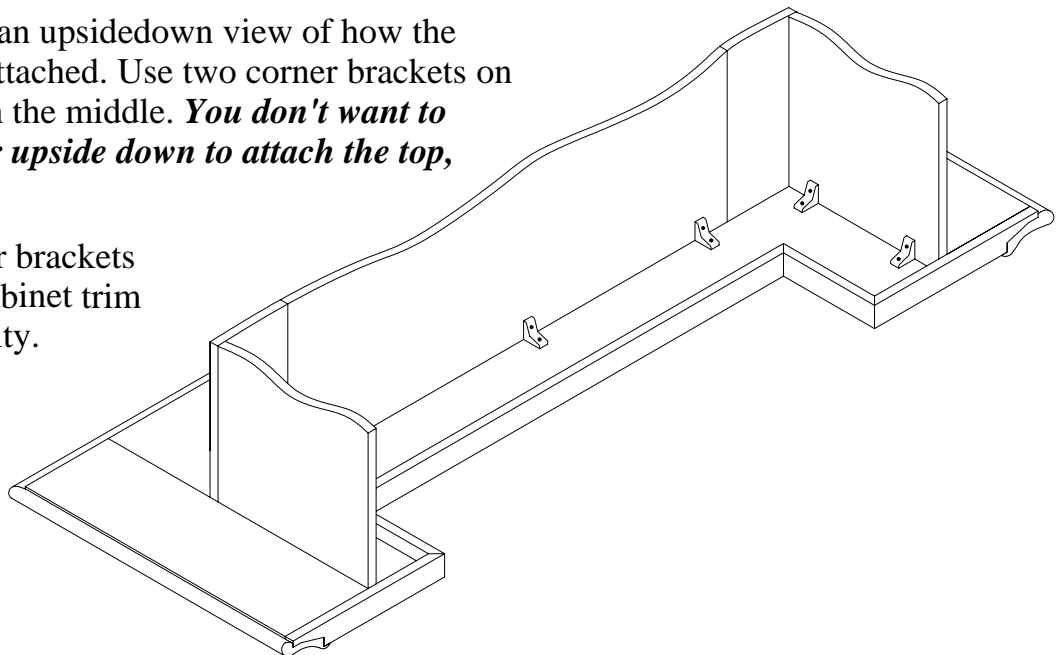
Attach the center soffit pieces to the outside edge of the molding with 1" pan head screws. Attach the center soffit pieces to the risers with 1 1/8" pan head screws.



This should leave an opening that is 54" between the end pieces of soffit and 14 3/4" between the center soffit and the rear trim. This is the size of the outside dimensions of the cabinet top and this opening must fit over the cabinet top.

This drawing shows an upsidedown view of how the cabinet and top are attached. Use two corner brackets on each end and three in the middle. ***You don't want to actually turn the bar upside down to attach the top, it may damage it.***

Spacing of the corner brackets is not critical. The cabinet trim is not shown for clarity.

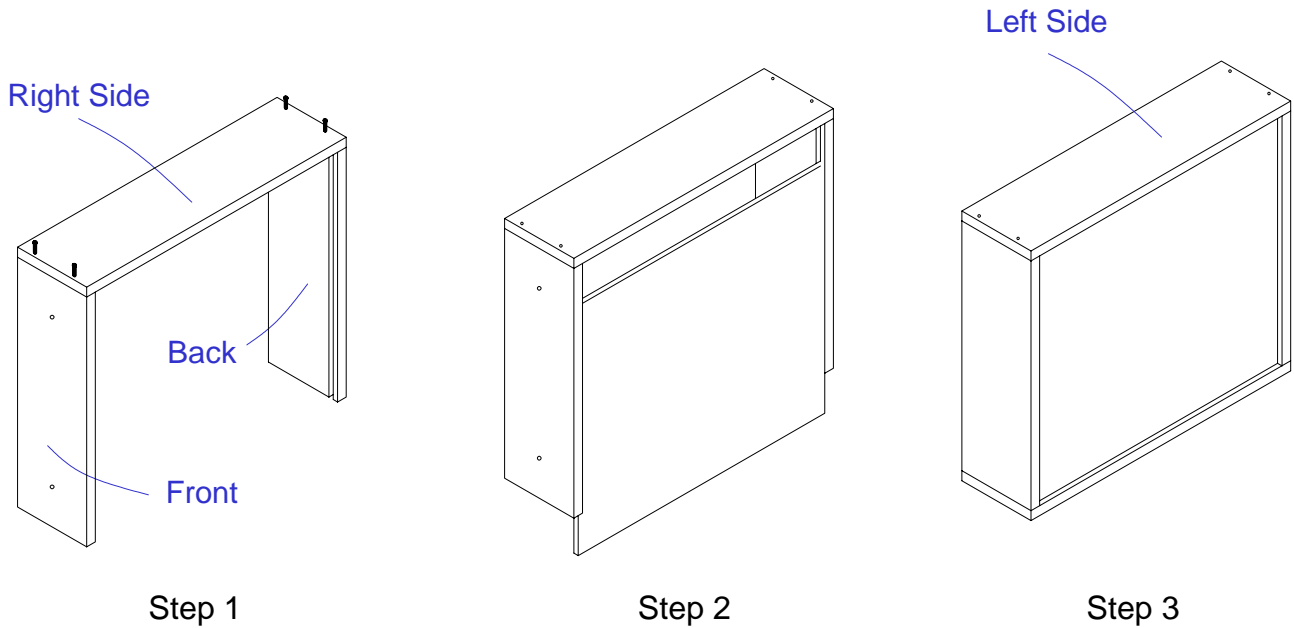


Note: You should predrill the bracket screw holes in the top and use screws that go no more than 1/2" into the wood. Otherwise, the bracket screws may cause unsightly bumps on the top surface of the Bar Top.

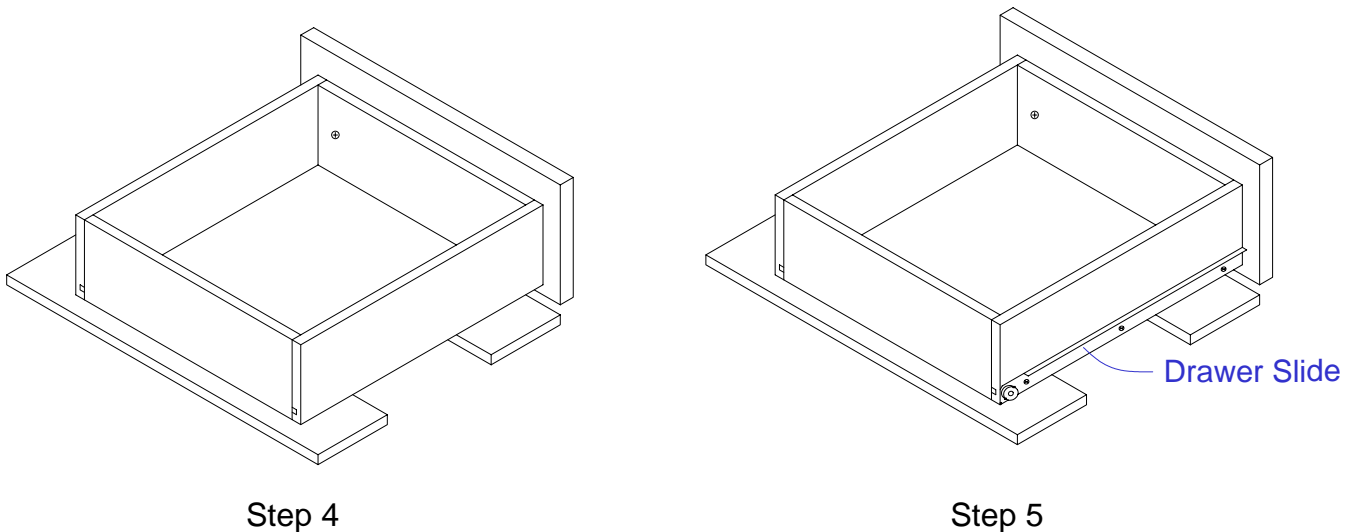
Assemble Drawers

Page 34

Apply a little glue to the mating surfaces and assemble the drawer boxes.



Assemble the front, back, and right side with 1" long finishing nails as shown in Step 1. Insert the bottom as shown in Step 2. Attach the left side as shown in Step 3.

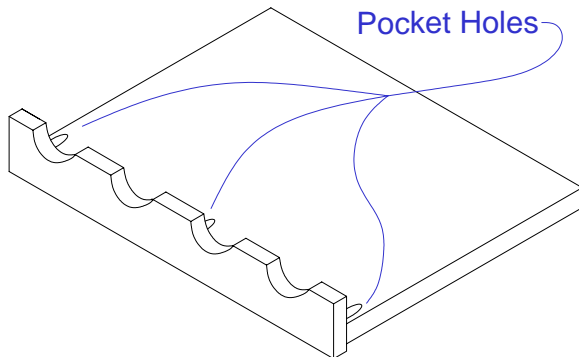


Support the drawer boxes with 1/2" thick strips of wood and attach the drawer fronts with 1 1/8" screws as shown in Step 4. This is necessary because the bottom of the front must be 1/2" below the bottom of the box so it will overlap the rear cabinet trim when installed. Next, attach the drawer slides as shown in Step 5.

Assemble Wine Racks

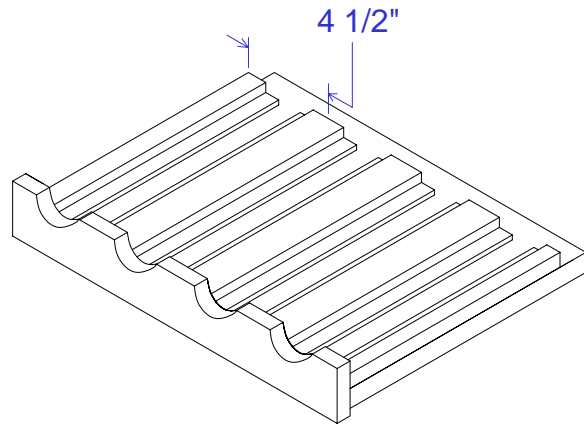
Page 35

Apply a little glue to the mating surfaces and assemble the wine racks as shown.



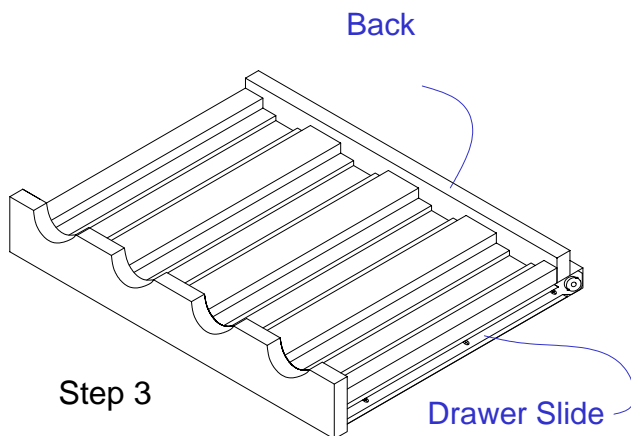
Step 1

Mount the front to the base with pocket hole screws. The base and front are flush on the bottom and the base is centered between the edges of the front.



Step 2

Two edge dividers are mounted flush with sides of the base. The center one is centered and the other two are 4 1/2" from the edge of the base to the center of the dividers.



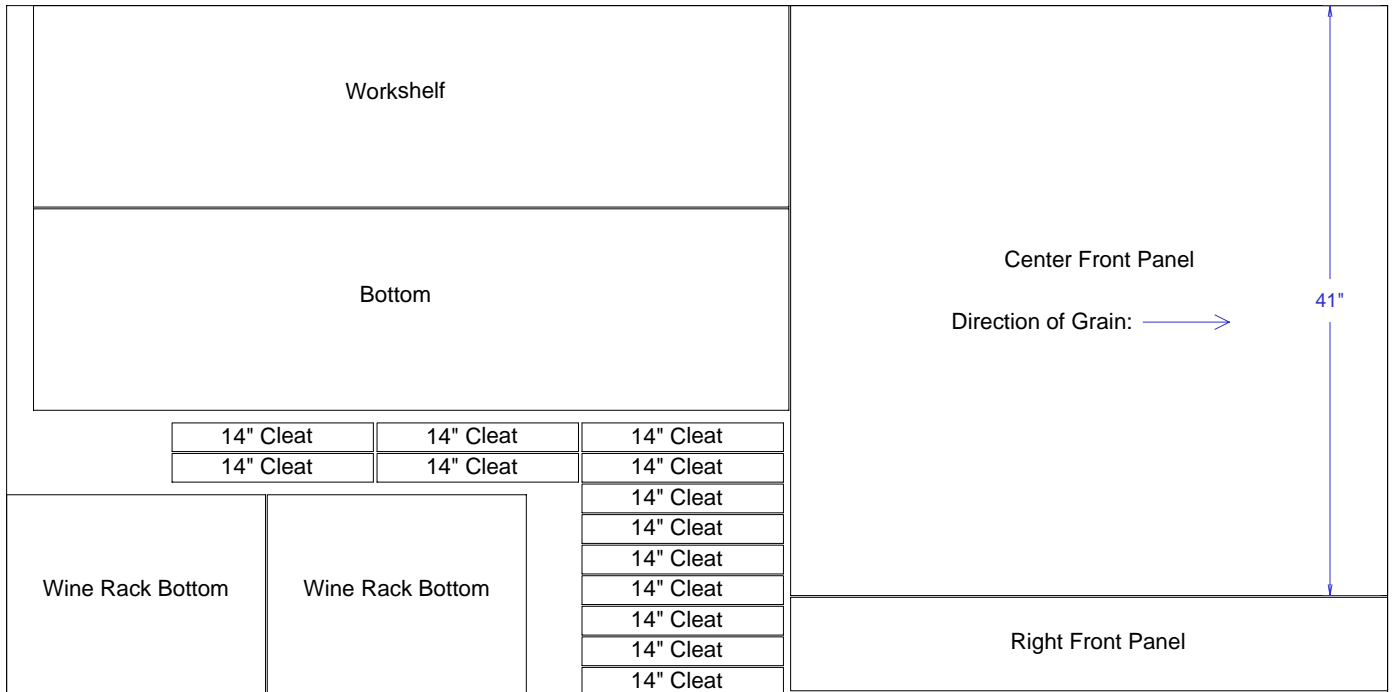
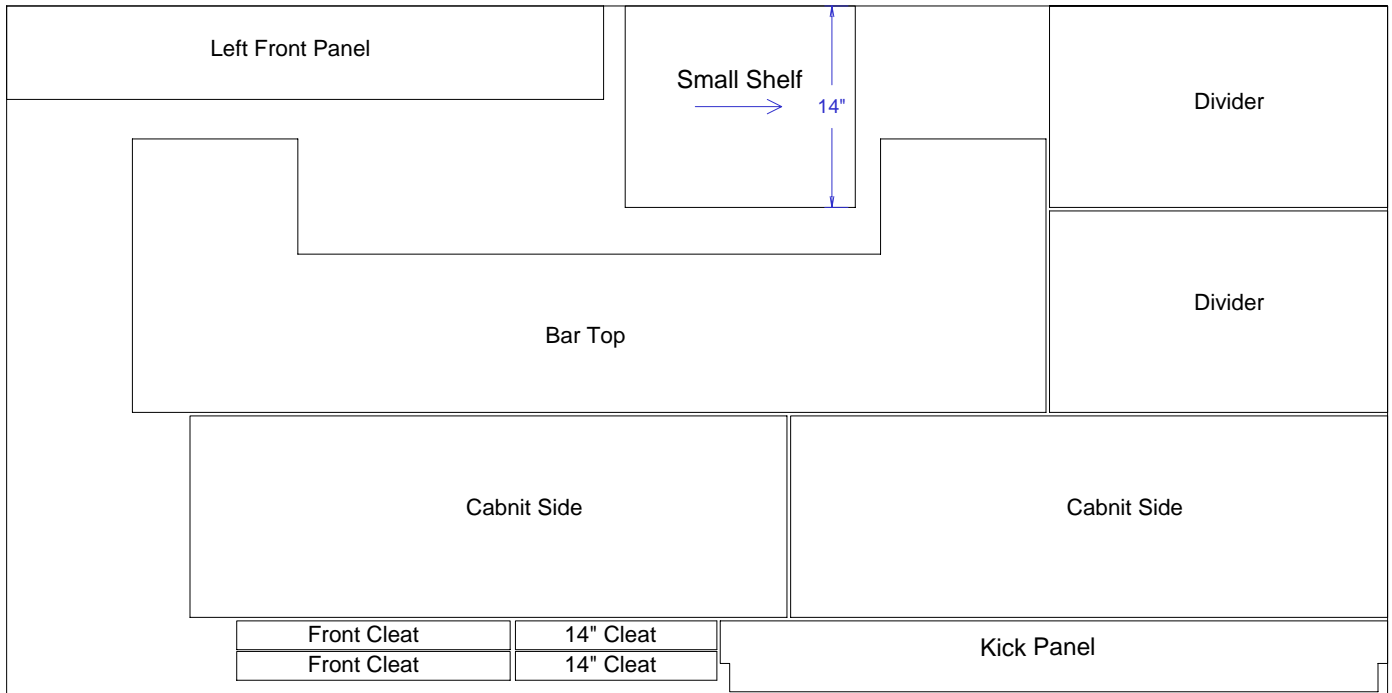
Step 3

Attach the back to the base with finishing nails or screws as you prefer. Attach the drawer slides as shown with the screws that were provided with the drawer slides.

This completes the assembly of your home bar. Be sure to countersink and fill all finishing nails holes before applying the finish.

Cutout Suggestions (1)

Page 36

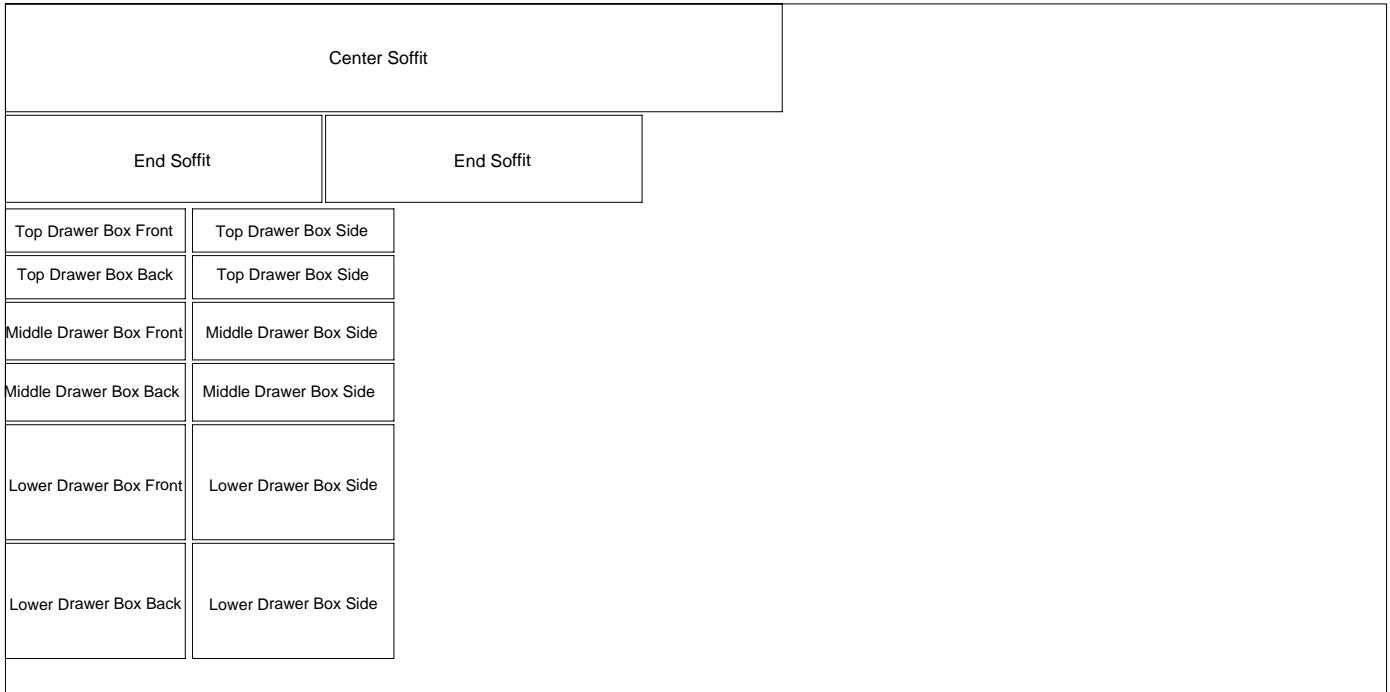


These layout diagrams show how to cut the parts from two pieces of 3/4" oak plywood. Note: Since the Center Front Panel and Small Shelf are almost square, they have an indicator arrow and dimension line to ensure you have the grain oriented properly. The other parts are more obvious since they are not as close to being square.

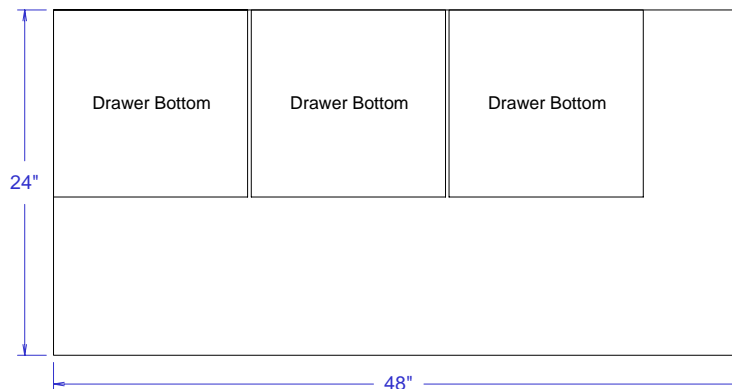
You can cut the small shelf a little larger than it's listed size with a jig saw and true it up with a table saw since it will still have one straight edge.

Cutout Suggestions (2)

Page 37



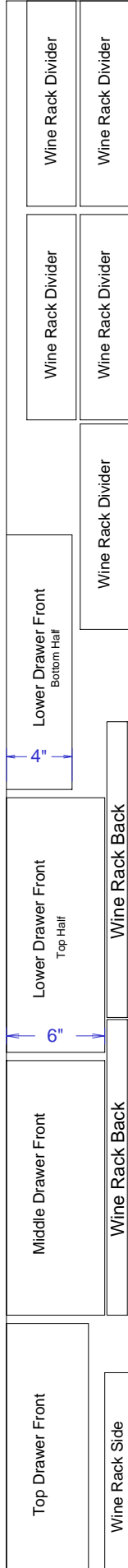
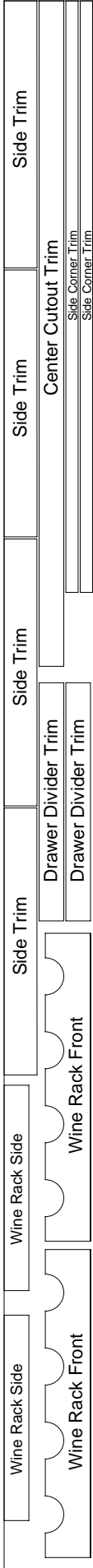
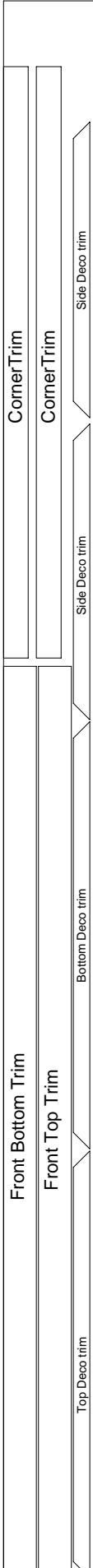
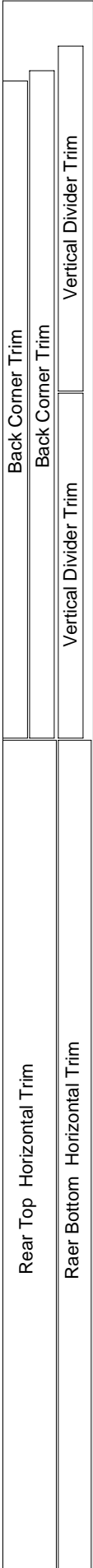
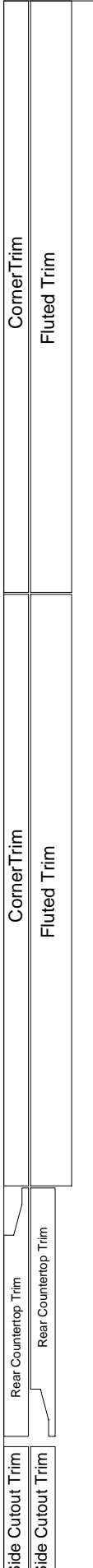
Cutout diagrams for the soffit and drawer box parts from 1/2" oak plywood. Cutout diagrams for risers are not given as they may be made from scrap wood.



The drawer bottoms are made from 1/4" hardboard.

Cutout Suggestions (3)

Page 38



Cutout diagrams for the parts that are made from solid oak.

If you're making two wine racks, you'll still need one more wine rack side and divider. Hopefully, you'll have some small pieces of oak lying around to make them from. Since these are inside parts, you could make them from some other material rather than buy an extra piece of oak. If so, you probably would want to make the rest of the inside wine rack parts from the same material too.