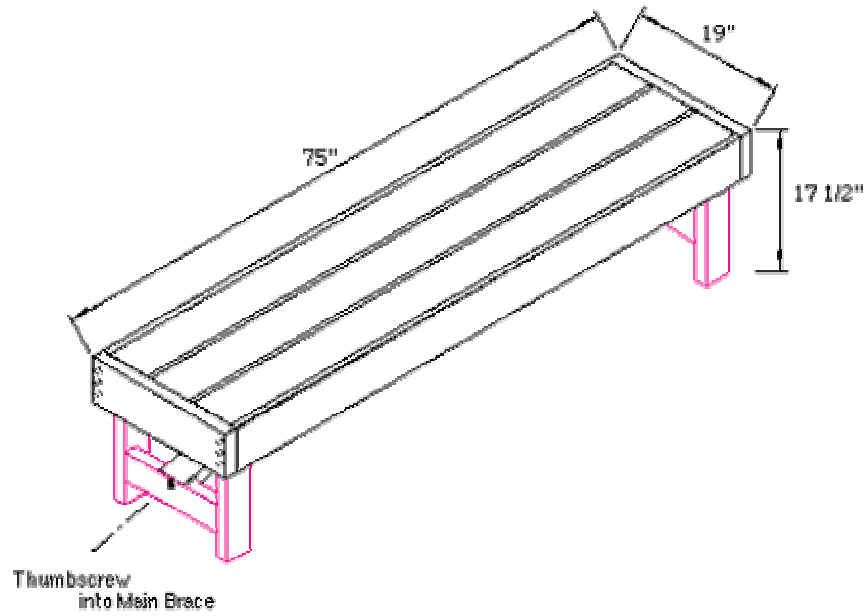
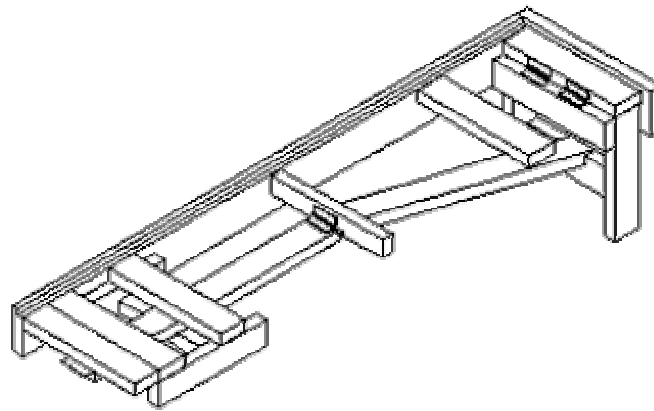


# Folding Bench



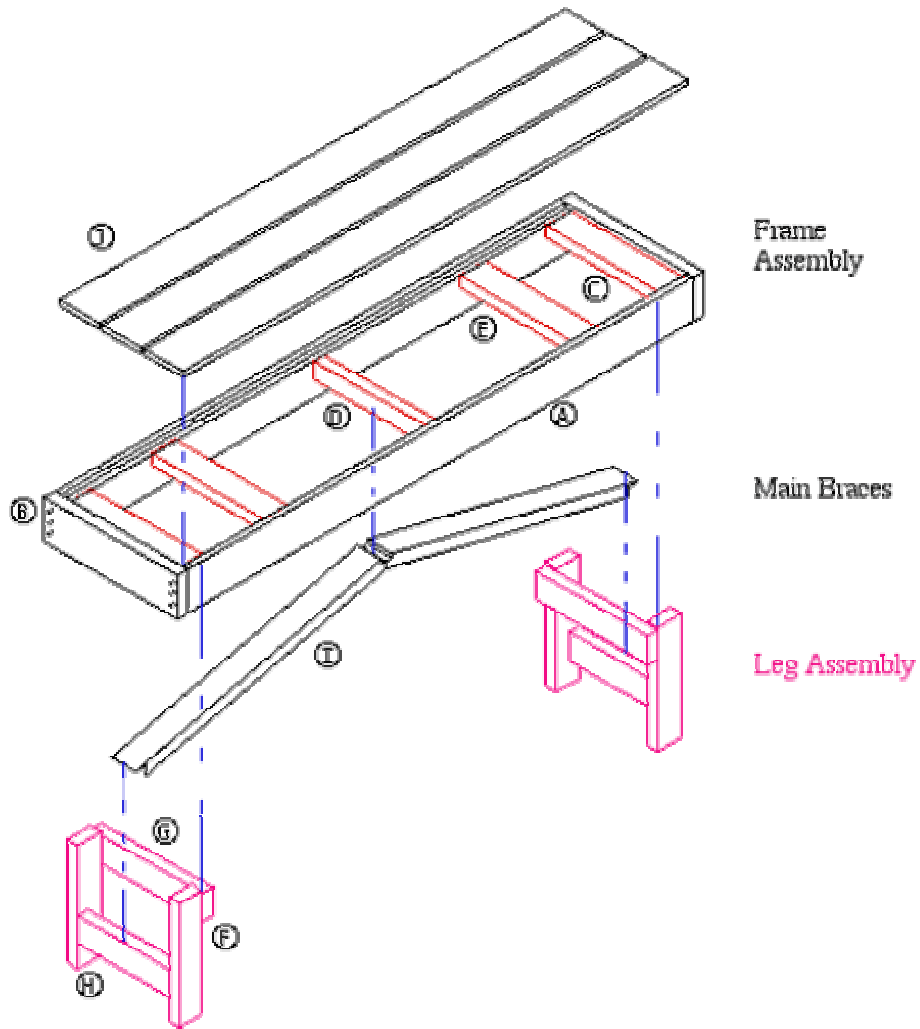
Bench with Folding Legs

---

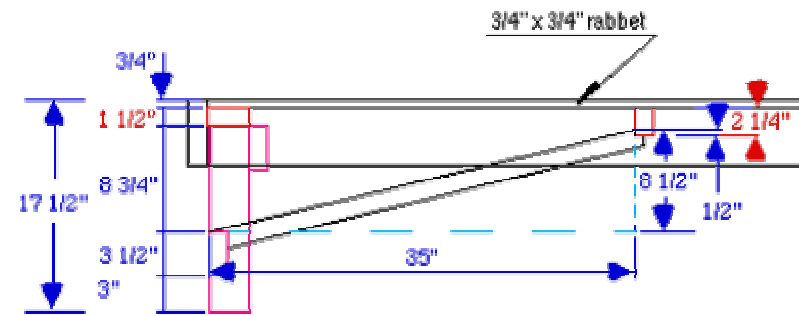


Seat Slats removed to show the support structure.  
The near Legs are in the raised position.

---



Exploded View of Folding Bench  
Letters Refer to the Parts List



Elevation of Folding Bench

**Exploded Diagram**

Part	No	Th.	W.	Len
------	----	-----	----	-----

<u>Frame Assembly</u>					
A. Frame Side	2	1 1/2"	5 1/2"	72"	
B. Frame End	2	1 1/2"	5 1/2"	19"	
C. End Bracket	2	1 1/2"	3 1/2"	16"	
D. Middle Bracket	1	1 1/2"	2 1/4"	16"	
E. Catch Bracket	2	1 1/2"	3 1/2"	16"	
<u>Leg Assembly</u>					
F. Leg	4	1 1/2"	3 1/4"	15 1/4"	
G. Upper Leg Rail	2	1 1/2"	3 1/2"	16"	(-1/16")
H. Lower Leg Rail	2	1 1/2"	3 1/2"	13"	(-1/16")
<u>Other Parts</u>					
I. Main Brace	2	1 1/2"	3 1/2"	40"	blank
J. Seat Slats	3	3/4"	5 1/2"	72"	
<u>Hardware</u> (4) Large Hinges (2) Med. Hinges (2) 2 1/2" 1/4-20 Bolts (4) Threaded Inserts (4) Washers					