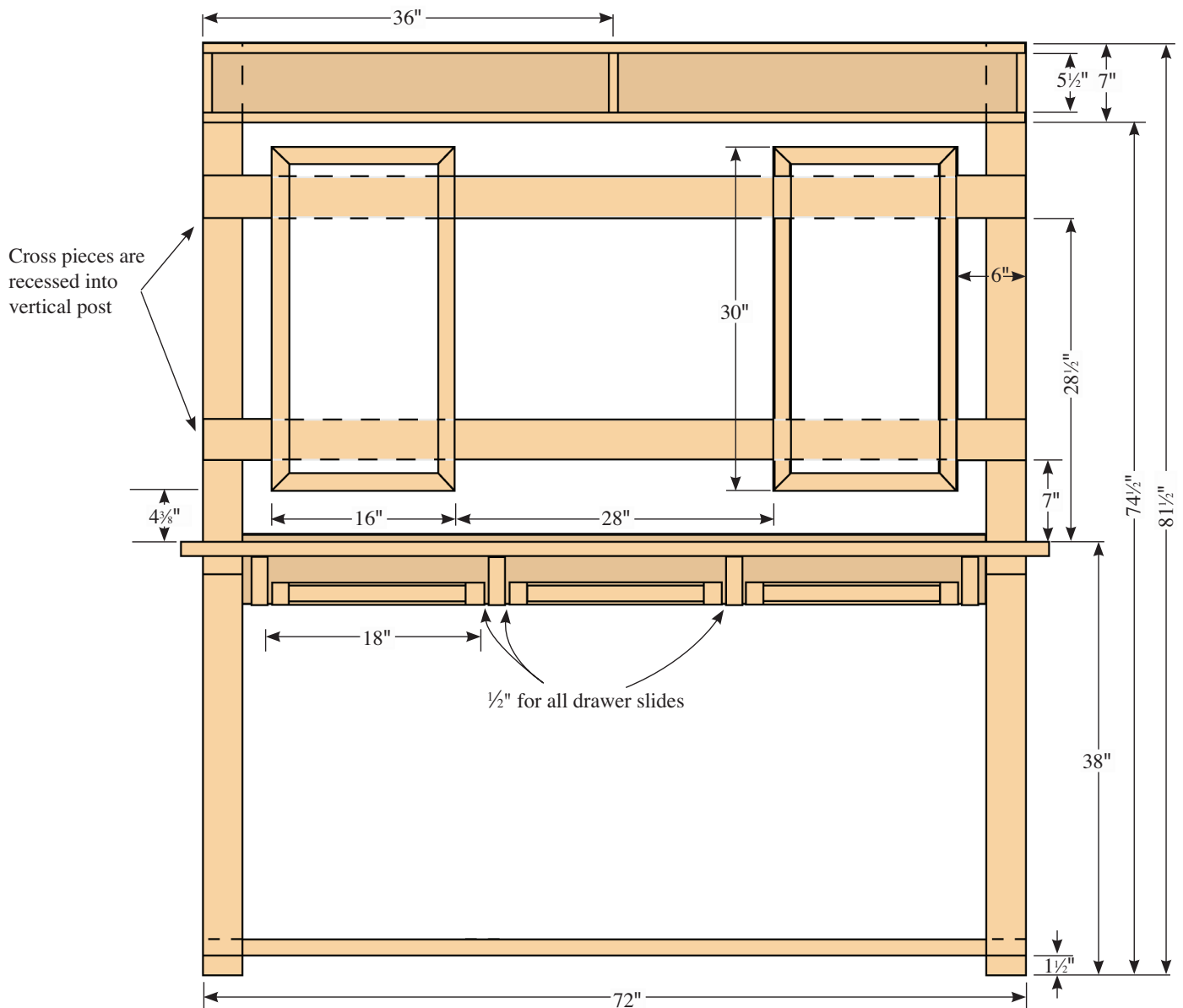




# The Garden Bench (PF-1271)

Ultimate Workspaces Plans



Front View

## TIPS

This is a good project to remember the old rule: Measure twice and cut once. There are a good many parts and cuts here. Take time to look over this plan to fully understand how everything fits together. The bench is made from cedar and is suitable for outside use. If you don't use cedar, we recommend treated stock.

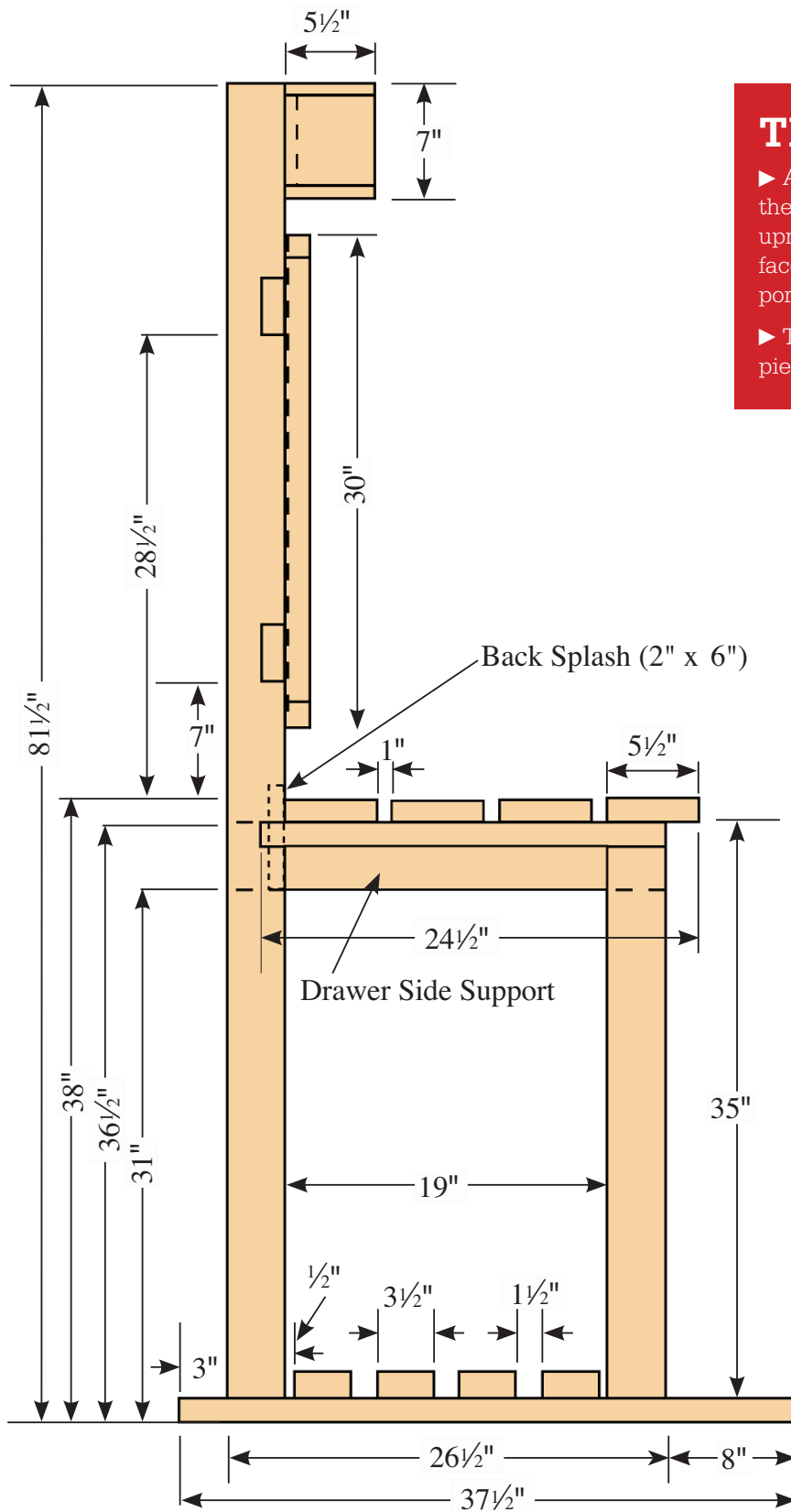
► While the two crossbeams are recessed into the 4 x 4 post, the top, boxed shelf space is not (although it could be).

► Though it's not on the plan, it would be a very good idea to add cross bracing to the back and sides of the bench to prevent wobble. This is not necessary if the bench is mounted to a solid surface.

► Pay attention to the positioning of the drawers and drawer slides. The drawers won't move easily if they're too close. If they're too far apart the drawer slides won't function properly. Leave ½" of space for each slide.

# The Garden Bench (PF-1271)

Ultimate Workspaces Plans



Side View

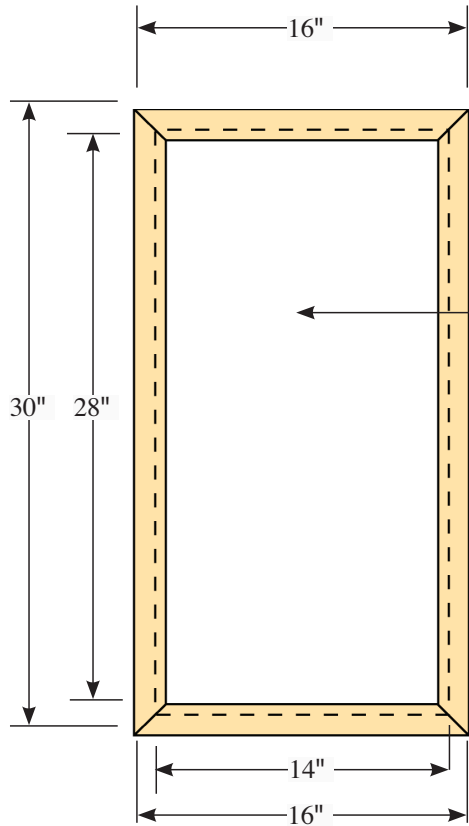
## TIPS

- ▶ A 2" x 6" back splash is mounted to the back of the working surface. Attach it between the two upright 4 x 4 posts. It extends above the work surface. The drawer supports are attached to the lower portion of the back splash.
- ▶ The feet of this table are made from 2" x 4" pieces of material.

# The Garden Bench (PF-1271)

Ultimate Workspaces Plans

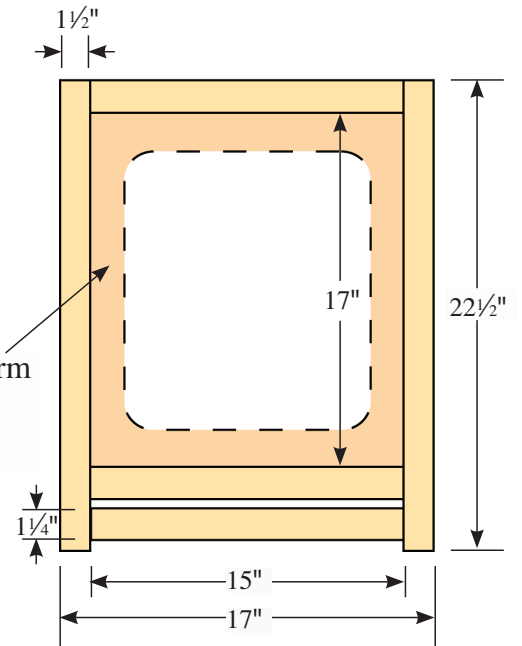
### Tool Boards Detail



Cut pegboard to size

Plywood platform with cutout for plastic bin

### Drawer Detail



## TIPS

► We used pegboard for the tool boards. If the garden bench is to be kept outside, slightly rough up the smooth side of the board and apply a coat of high-quality polyurethane to all surfaces of both pieces.

# The Garden Bench (PF-1271)

Ultimate Workspaces Plans

## Material List

### **Potting Bench Parts (All sheets are based on 4' x 8' standard sheets.)**

- (3) 4 x 4 cedar boards, 8' long
- (2) 2 x 4 cedar boards, 8' long
- (6) 2 x 6 cedar boards, 8' long
- (3) 1 x 6 cedar boards, 8' long
- 1 sheet ¼" pegboard
- 3 sets of heavy ball-bearing drawer slides
- 3 plastic bins
- 1" screws
- 2" screws
- 3" screws
- Wood glue
- (1) 1¼" diameter closet rod, 8' long