

Name : _____

Score : _____

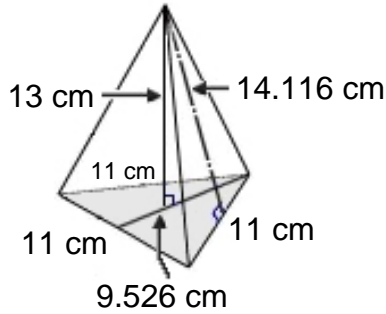
Teacher : _____

Date : _____

Surface Area of Prisms and Pyramids

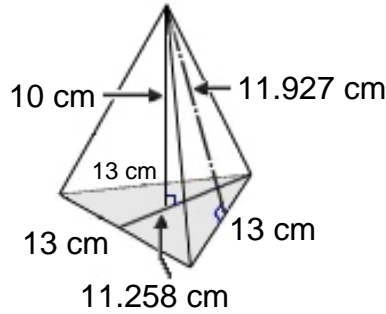
Find the surface area of each figure. Round answers to the nearest hundredth, if necessary.

1)



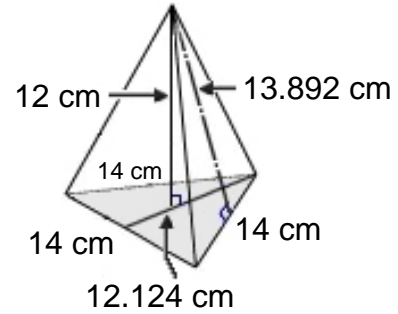
Surface Area: _____

2)



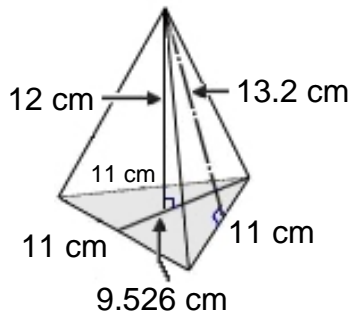
Surface Area: _____

3)



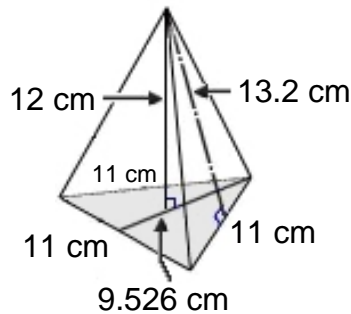
Surface Area: _____

4)



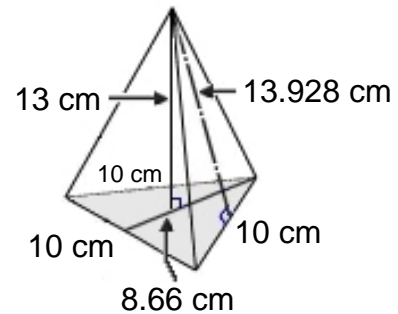
Surface Area: _____

5)



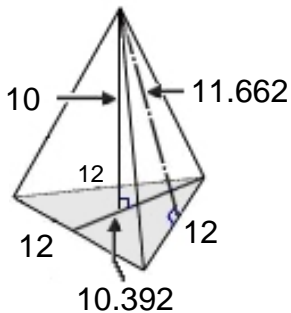
Surface Area: _____

6)



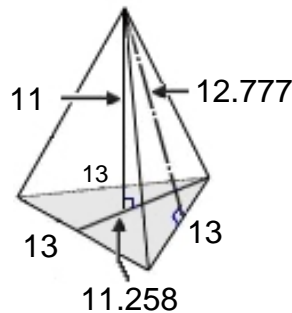
Surface Area: _____

7)



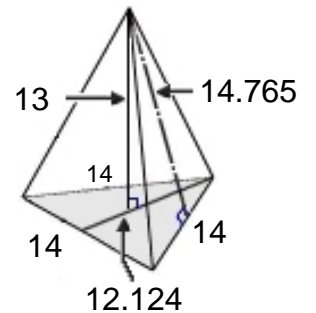
Surface Area: _____

8)



Surface Area: _____

9)



Surface Area: _____



Name : _____

Score : _____

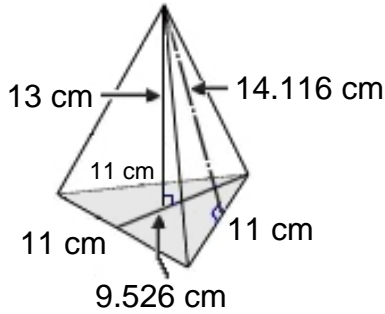
Teacher : _____

Date : _____

Surface Area of Prisms and Pyramids

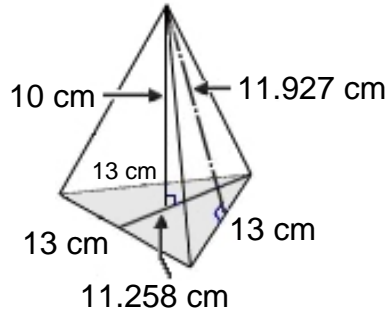
Find the surface area of each figure. Round answers to the nearest hundredth, if necessary.

1)



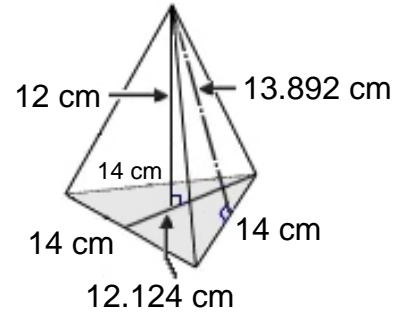
Surface Area: 285.31 cm²

2)



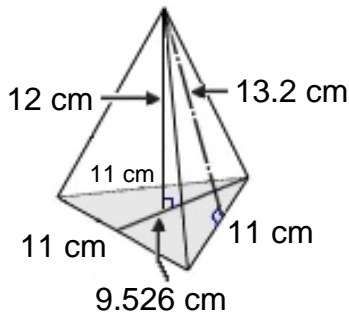
Surface Area: 305.75 cm²

3)



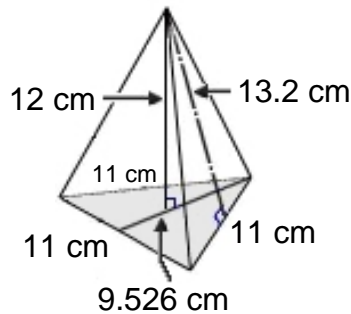
Surface Area: 376.60 cm²

4)



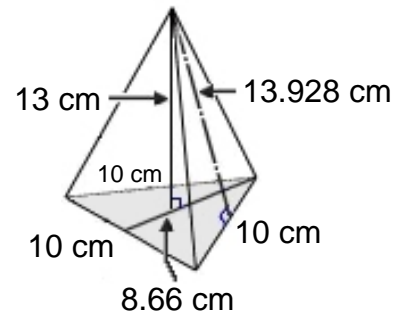
Surface Area: 270.19 cm²

5)



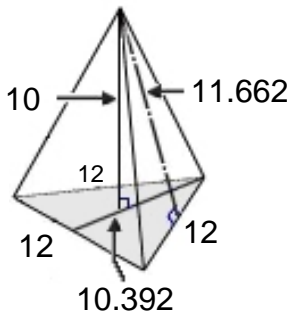
Surface Area: 270.19 cm²

6)



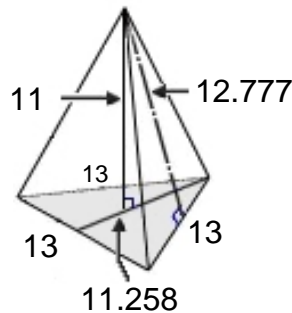
Surface Area: 252.22 cm²

7)



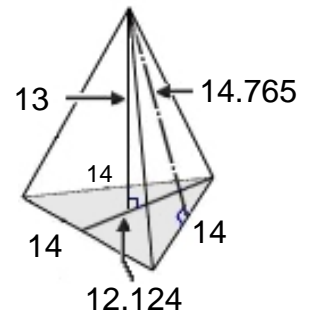
Surface Area: 272.27 cm²

8)



Surface Area: 322.33 cm²

9)



Surface Area: 394.93 cm²

