

Name : \_\_\_\_\_

Score : \_\_\_\_\_

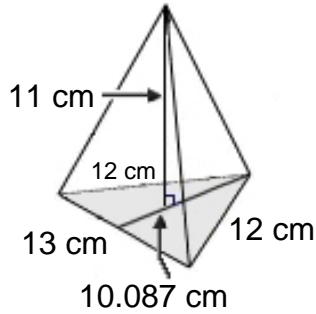
Teacher : \_\_\_\_\_

Date : \_\_\_\_\_

### Volume of Prisms and Pyramids

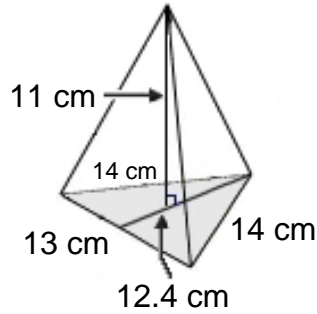
Find the volume of each figure. Round answers to the nearest hundredth, if necessary.

1)



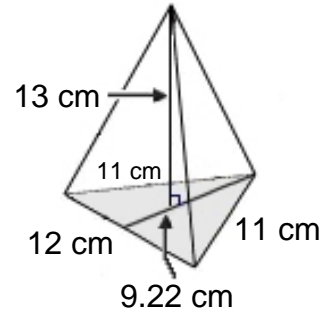
Volume: \_\_\_\_\_

2)



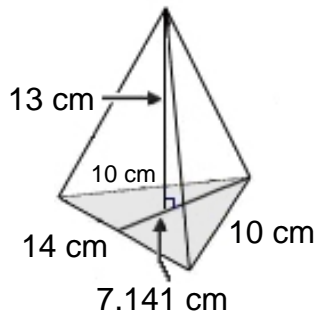
Volume: \_\_\_\_\_

3)



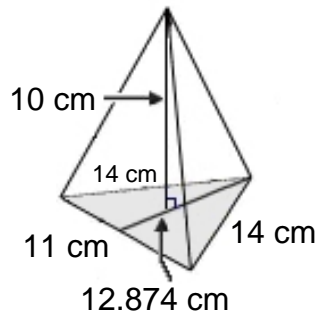
Volume: \_\_\_\_\_

4)



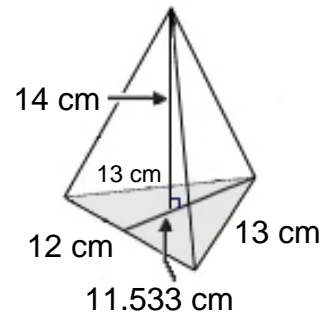
Volume: \_\_\_\_\_

5)



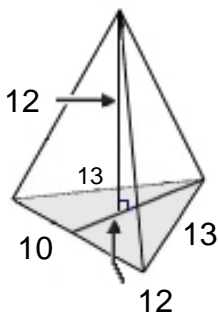
Volume: \_\_\_\_\_

6)



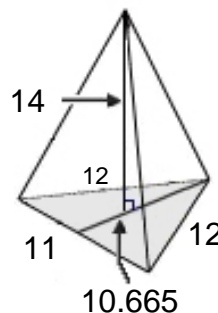
Volume: \_\_\_\_\_

7)



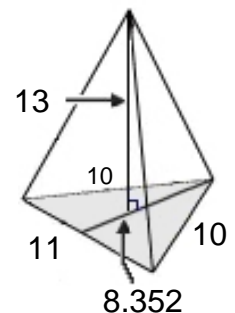
Volume: \_\_\_\_\_

8)



Volume: \_\_\_\_\_

9)



Volume: \_\_\_\_\_



Name : \_\_\_\_\_

Score : \_\_\_\_\_

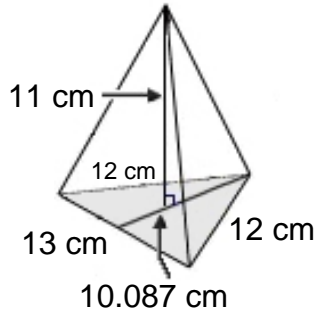
Teacher : \_\_\_\_\_

Date : \_\_\_\_\_

### Volume of Prisms and Pyramids

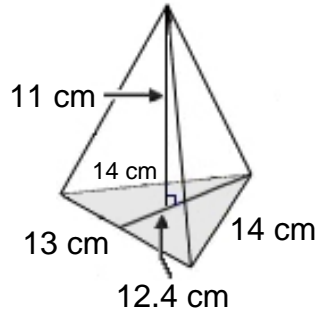
Find the volume of each figure. Round answers to the nearest hundredth, if necessary.

1)



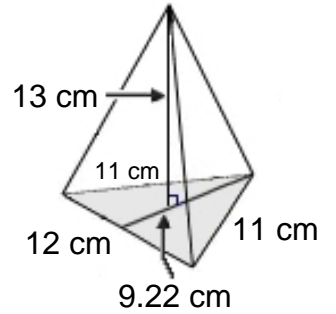
Volume: 240.41 cm<sup>3</sup>

2)



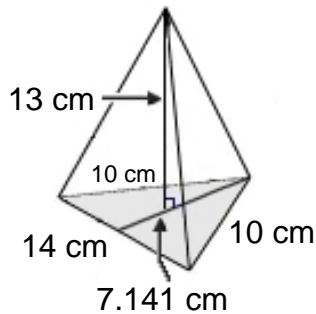
Volume: 295.53 cm<sup>3</sup>

3)



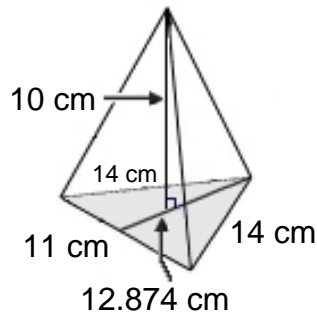
Volume: 239.72 cm<sup>3</sup>

4)



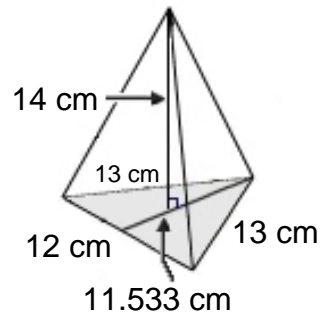
Volume: 216.61 cm<sup>3</sup>

5)



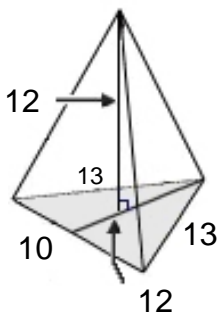
Volume: 236.02 cm<sup>3</sup>

6)



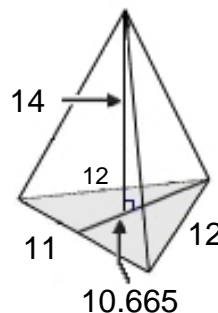
Volume: 322.92 cm<sup>3</sup>

7)



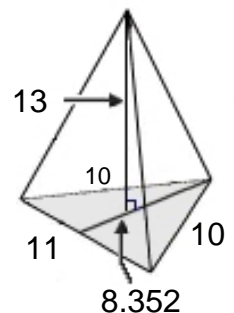
Volume: 240.00<sup>3</sup>

8)



Volume: 273.74<sup>3</sup>

9)



Volume: 199.06<sup>3</sup>

