

Name : _____

Score : _____

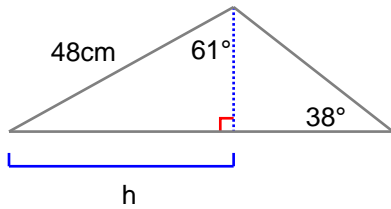
Teacher : _____

Date : _____

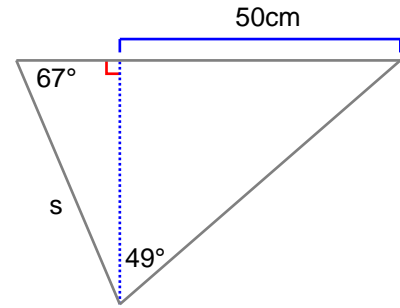
Multi-Step Problems

Find the variable side. Round the intermediate and final values to the nearest tenth.

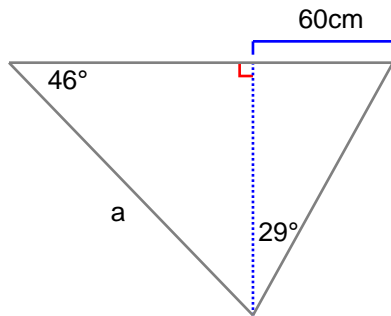
1) $h = \underline{\hspace{2cm}}$ cm



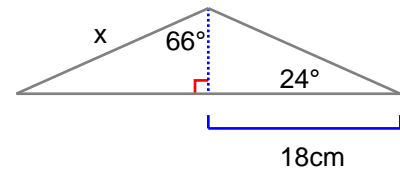
2) $s = \underline{\hspace{2cm}}$ cm



3) $a = \underline{\hspace{2cm}}$ cm

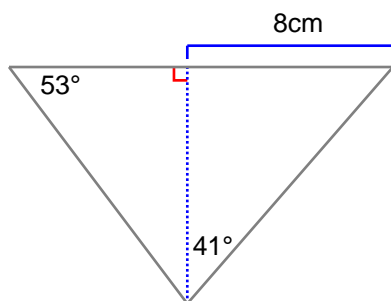


4) $x = \underline{\hspace{2cm}}$ cm

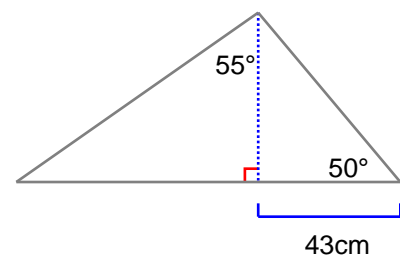


Find the area of each triangle. Round the intermediate and final values to the nearest tenth.

5) Area = $\underline{\hspace{2cm}}$ cm²



6) Area = $\underline{\hspace{2cm}}$ cm²



Name : _____

Score : _____

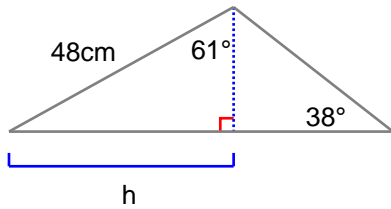
Teacher : _____

Date : _____

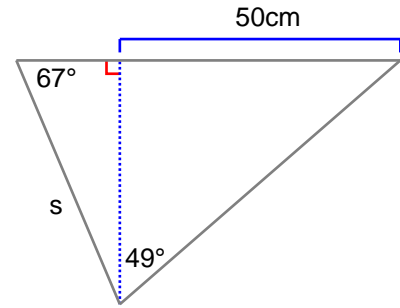
Multi-Step Problems

Find the variable side. Round the intermediate and final values to the nearest tenth.

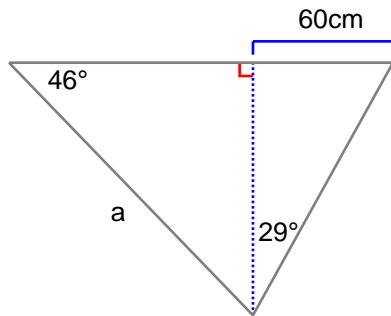
1) $h = \underline{42.0}$ cm



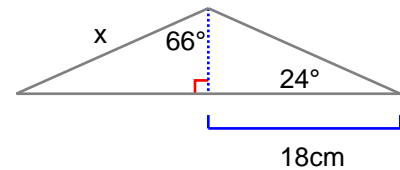
2) $s = \underline{47.2}$ cm



3) $a = \underline{150.5}$ cm

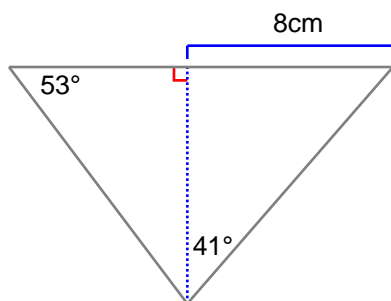


4) $x = \underline{19.7}$ cm



Find the area of each triangle. Round the intermediate and final values to the nearest tenth.

5) Area = $\underline{68.7}$ cm²



6) Area = $\underline{2977.0}$ cm²

