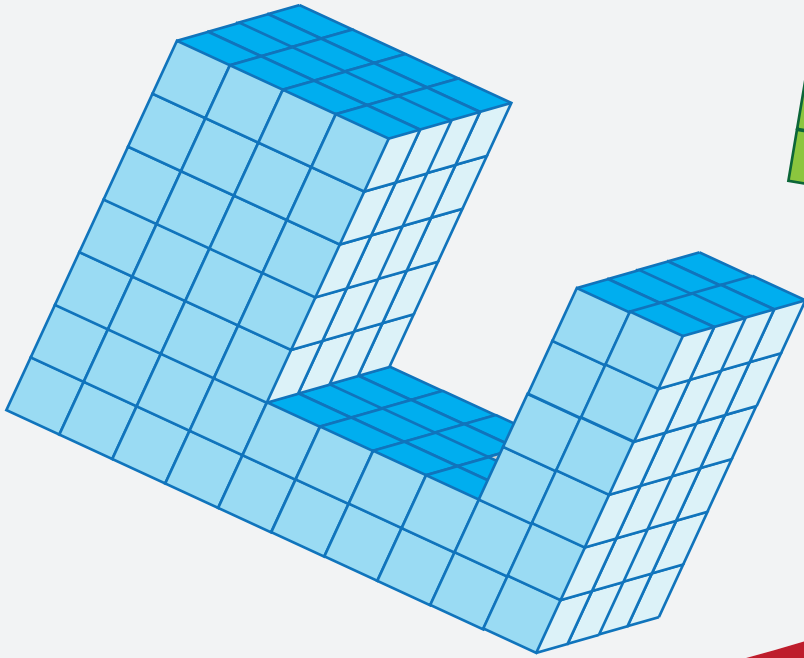
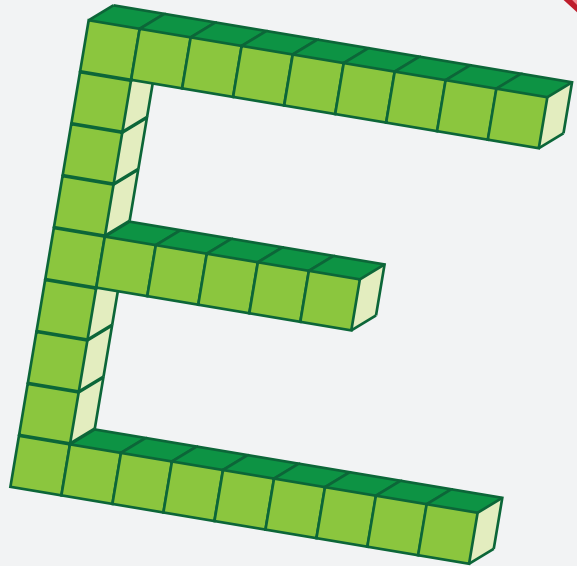
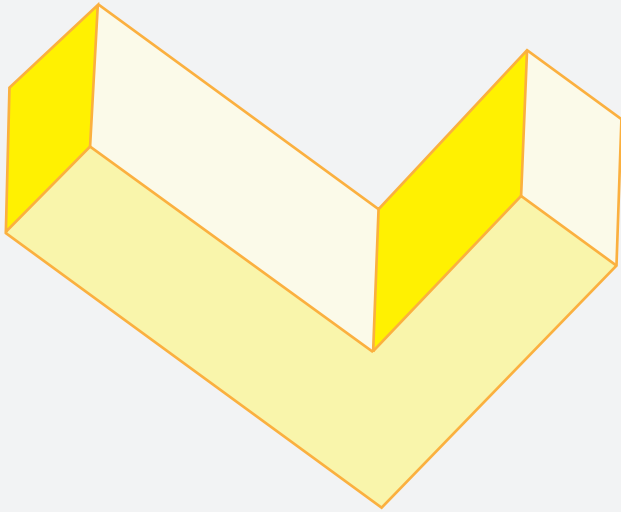


5th  
Grade

# Measurement and Data

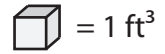


*Workbook 1*

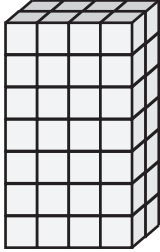
# Counting Cubes - Rectangular Prism

E

Count the cubes and find the volume of each rectangular prism.

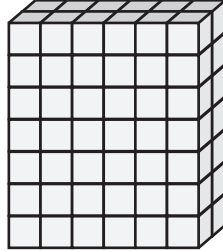


1)



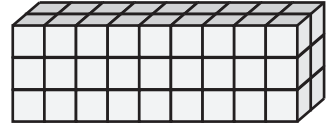
Volume = \_\_\_\_\_

2)



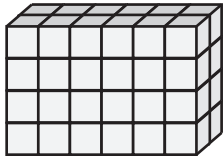
Volume = \_\_\_\_\_

3)



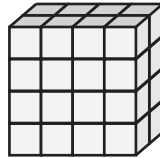
Volume = \_\_\_\_\_

4)



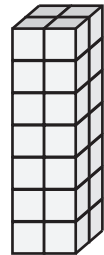
Volume = \_\_\_\_\_

5)



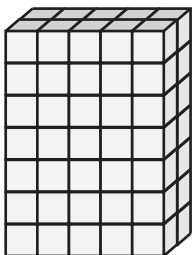
Volume = \_\_\_\_\_

6)



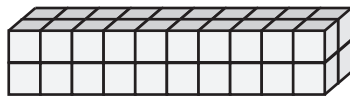
Volume = \_\_\_\_\_

7)



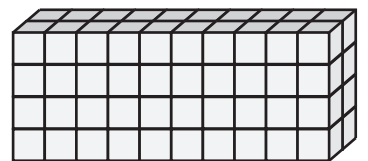
Volume = \_\_\_\_\_

8)



Volume = \_\_\_\_\_

9)




Volume = \_\_\_\_\_

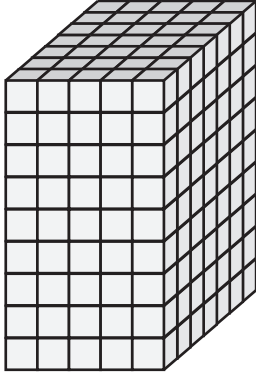
# Counting Cubes - Rectangular Prism

M

Count the cubes and find the volume of each rectangular prism.

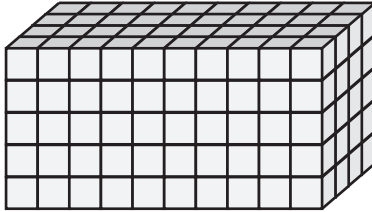
 = 1 ft<sup>3</sup>

1)



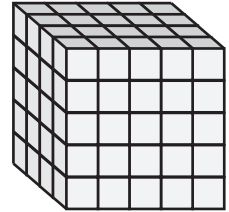
Volume = \_\_\_\_\_

2)



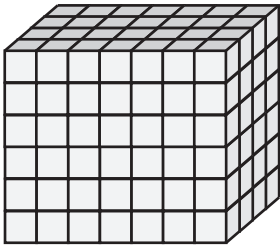
Volume = \_\_\_\_\_

3)



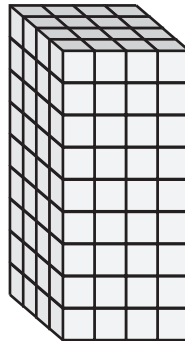
Volume = \_\_\_\_\_

4)



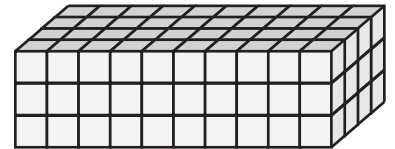
Volume = \_\_\_\_\_

5)



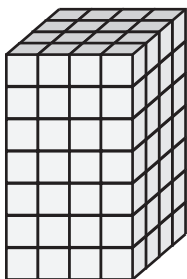
Volume = \_\_\_\_\_

6)



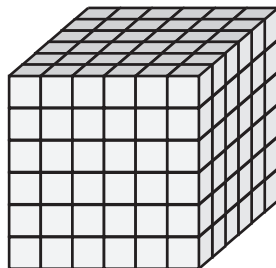
Volume = \_\_\_\_\_

7)



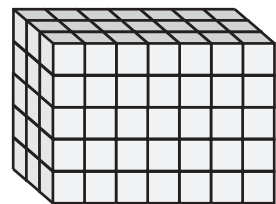
Volume = \_\_\_\_\_

8)



Volume = \_\_\_\_\_

9)



Volume = \_\_\_\_\_

Pages 3 to 7 are available only for members.

Subscribe for unrestricted access to  
200+ workbooks and 30,000+ worksheets for  
just **\$19.95/year.**

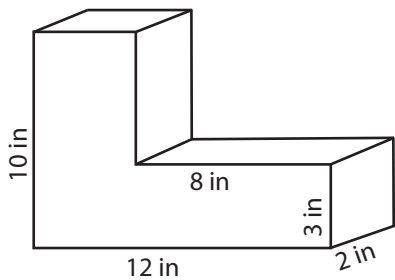
Scroll down for additional free pages.

# Volume of L-Blocks

E

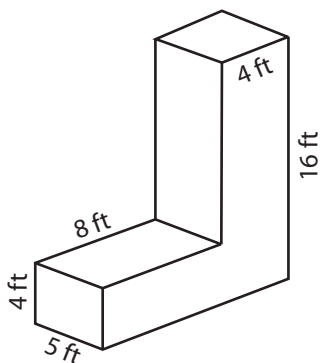
Find the volume of each L-block.

1)



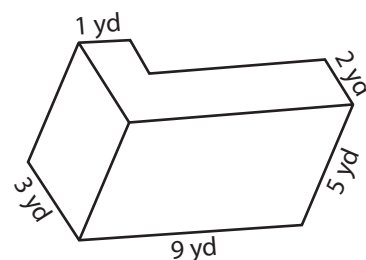
Volume = \_\_\_\_\_

2)



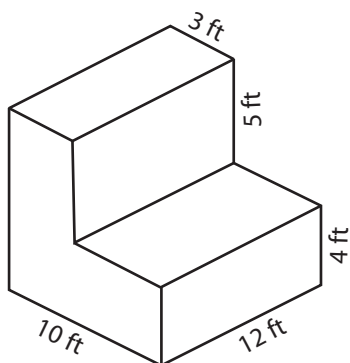
Volume = \_\_\_\_\_

3)



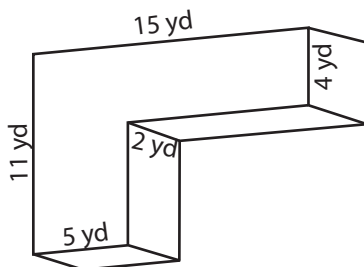
Volume = \_\_\_\_\_

4)



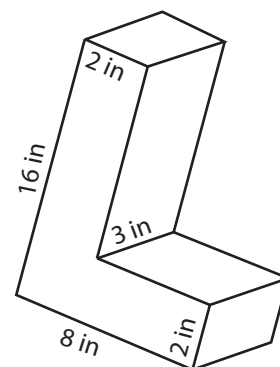
Volume = \_\_\_\_\_

5)



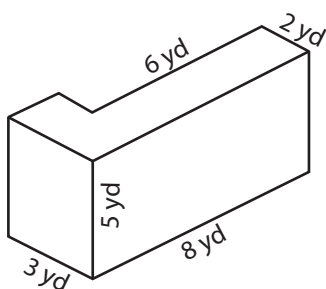
Volume = \_\_\_\_\_

6)



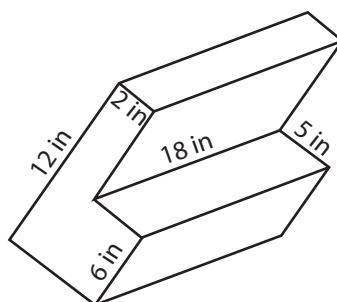
Volume = \_\_\_\_\_

7)



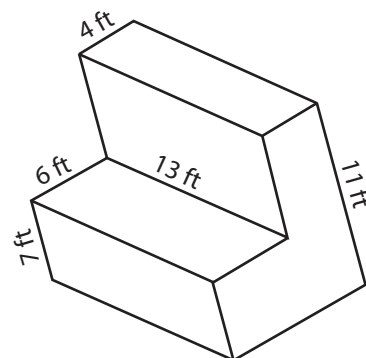
Volume = \_\_\_\_\_

8)



Volume = \_\_\_\_\_

9)



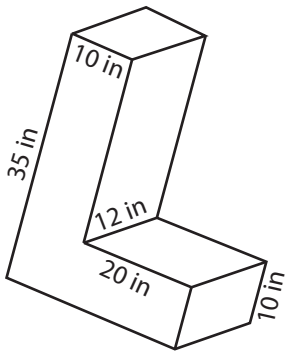
Volume = \_\_\_\_\_

# Volume of L-Blocks

M

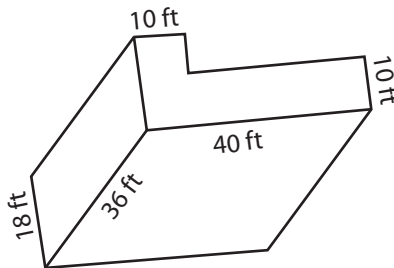
Find the volume of each L-block.

1)



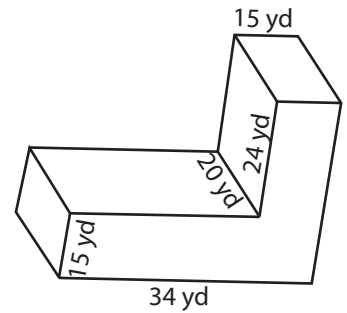
Volume = \_\_\_\_\_

2)



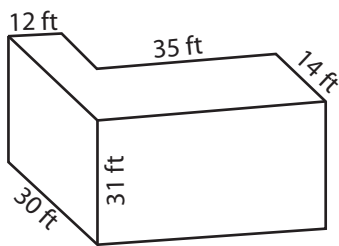
Volume = \_\_\_\_\_

3)



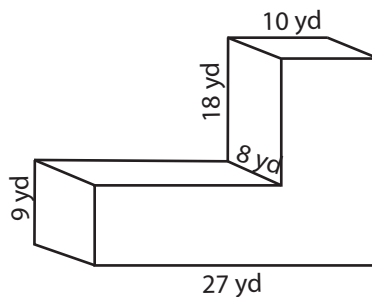
Volume = \_\_\_\_\_

4)



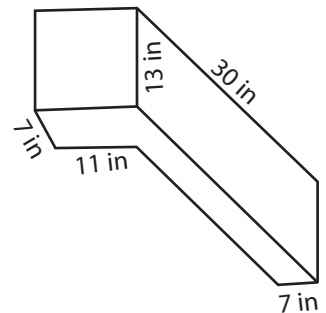
Volume = \_\_\_\_\_

5)



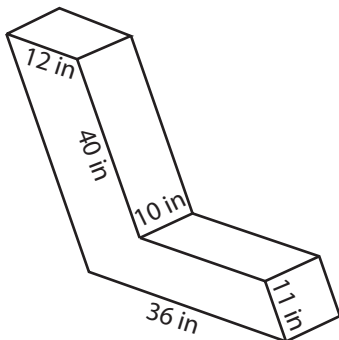
Volume = \_\_\_\_\_

6)



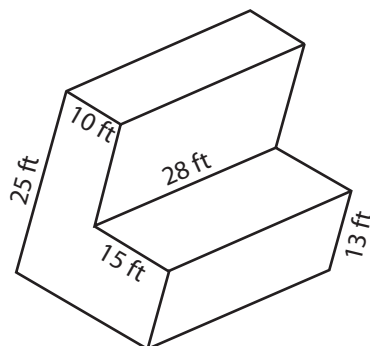
Volume = \_\_\_\_\_

7)



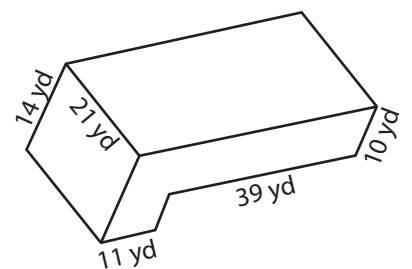
Volume = \_\_\_\_\_

8)



Volume = \_\_\_\_\_

9)



Volume = \_\_\_\_\_