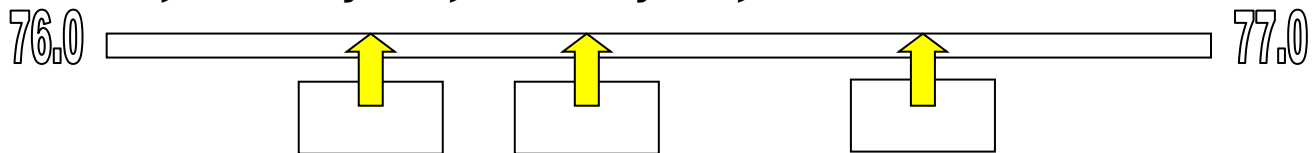


## End of Session Quiz

### EQUIVALENCES - Version 2

Place the following values on the number line in the correct place

1)  $13/17$ , 2)  $0.767$ , 3)  $76.3\%$



4) Change  $0.8321$  to a percentage

5) Change  $1/12$  into a decimal

6) Change  $0.1\%$  into a fraction

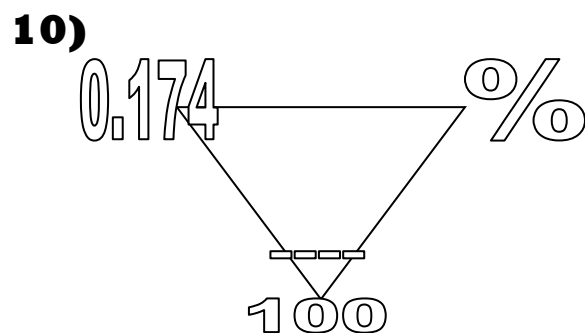
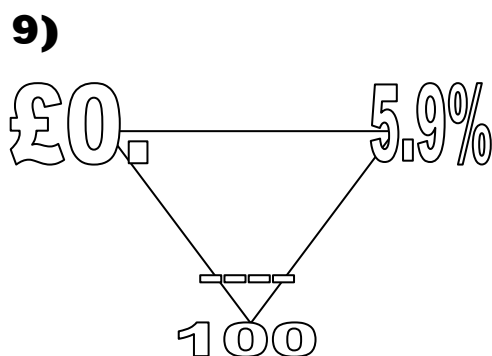
7) I score eleven out of nineteen in a quiz. What is my percentage score to the nearest percent?



8) The download bar shows  $0.962$  What percentage is still to be loaded?



Complete the conversion triangles with both the other values



How well did you do??

Score (out of ten)