

Please check the examination details below before entering your candidate information

Candidate surname

Other names

**Pearson Edexcel
Functional Skills**

Centre Number

Candidate Number

Practice Set 3

Time: 25 minutes

Paper Reference **PRACL2/N03**

Mathematics

Level 2

Section A (Non-Calculator)



You must have:

Pen, HB pencil, eraser, ruler graduated in cm and mm, protractor, pair of compasses. Tracing paper may be used.

Total Marks

My signature confirms that I will not discuss the content of the test with anyone.

Signature: _____

Instructions

- Use **black** ink or ball-point pen.
- **Fill in the boxes** at the top of this page with your name, centre number and candidate number.
- Sign the declaration.
- Answer **all** questions.
- Write your final answers in the boxes provided.
- Answer the questions in the spaces provided – *there may be more space than you need.*
- You **must** show clearly how you get your answers in the spaces provided. Marks will be awarded for your working out.
- Check your working and answers at each stage.
- Diagrams are **not** accurately drawn, unless otherwise indicated.
- **Calculators may not be used.**
- Take the value of π to be 3.14

Information

- The total mark for this section is 16.
- The marks for **each** question are shown in brackets – *use this as a guide as to how much time to spend on each question.*
- This sign shows where marks will be awarded for showing your checks.

Advice

- Read each question carefully before you start to answer it.
- Check your answers if you have time at the end.

Turn over ►

S68462A

©2021 Pearson Education Ltd.

1/1/1




Pearson

DO NOT WRITE IN THIS AREA

DO NOT WRITE IN THIS AREA

DO NOT WRITE IN THIS AREA

DO NOT WRITE IN THIS AREA

DO NOT WRITE IN THIS AREA

DO NOT WRITE IN THIS AREA

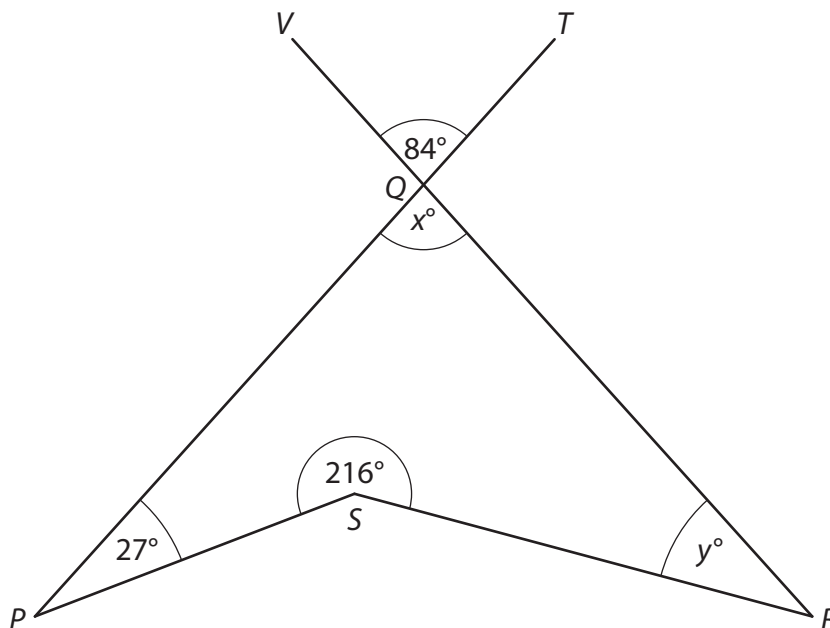
BLANK PAGE



SECTION A

Answer ALL questions. Write your answers in the spaces provided.

1 $PQRS$ is a quadrilateral.



PQT is a straight line.

RQV is a straight line.

(a) Write down the value of x .

(1)

(b) Work out the value of y .

(2)

(Total for Question 1 is 3 marks)



2 Prasha sees this advert for an apprenticeship.

Apprentice plumber
£5.68 per hour
37 hours per week

Prasha will be paid for 52 weeks of the year.

She estimates that she will have an annual salary of £11 500

Use estimation to check if Prasha's estimate is sensible.
You **must** show your working.

(3)

(Total for Question 2 is 3 marks)

DO NOT WRITE IN THIS AREA

DO NOT WRITE IN THIS AREA

DO NOT WRITE IN THIS AREA

DO NOT WRITE IN THIS AREA

DO NOT WRITE IN THIS AREA

DO NOT WRITE IN THIS AREA



3

(a) Write 8% as a decimal.

(1)

(b) Work out $\sqrt{64} \times (12 - 7)$

(1)

(c) Work out $\frac{4}{5} - \frac{3}{8}$

(2)

(Total for Question 3 is 4 marks)



- 4 Uditi wants to make a shoe tray.
The tray will hold rows of shoes.
She wants each row to hold 6 pairs of shoes.

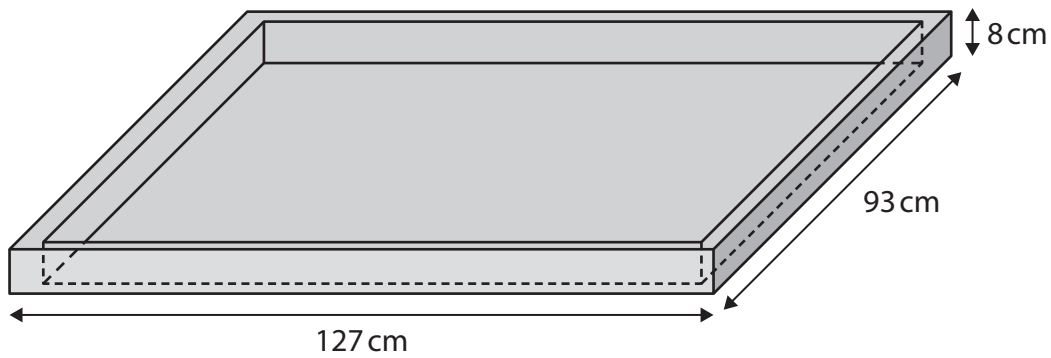
Uditi measures the width of 5 pairs of her shoes.
Here are the results in cm.

18.2 19.7 19.4 18.6 18.9

To find the total width of 6 pairs of shoes Uditi will multiply the median width of these pairs of shoes by 6

The width of the base of the tray will need to be 10% more than the total width of 6 pairs of shoes and have an extra 3 cm at each end of the tray for a frame.

Uditi draws this diagram of the largest shoe tray she can make with the wood she has.



Uditi thinks this tray can hold 6 pairs of her shoes in a row.

Is she correct?
Show why you think this.

(6)

DO NOT WRITE IN THIS AREA

DO NOT WRITE IN THIS AREA

DO NOT WRITE IN THIS AREA

DO NOT WRITE IN THIS AREA

DO NOT WRITE IN THIS AREA

DO NOT WRITE IN THIS AREA



DO NOT WRITE IN THIS AREA

DO NOT WRITE IN THIS AREA

DO NOT WRITE IN THIS AREA

DO NOT WRITE IN THIS AREA

DO NOT WRITE IN THIS AREA

DO NOT WRITE IN THIS AREA

Blank area for writing answers.

Small rectangular box for marking.

(Total for Question 4 is 6 marks)

TOTAL FOR SECTION A IS 16 MARKS



DO NOT WRITE IN THIS AREA

DO NOT WRITE IN THIS AREA

DO NOT WRITE IN THIS AREA

BLANK PAGE

