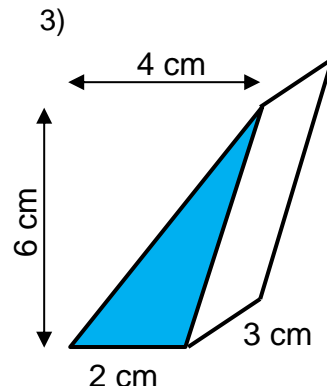
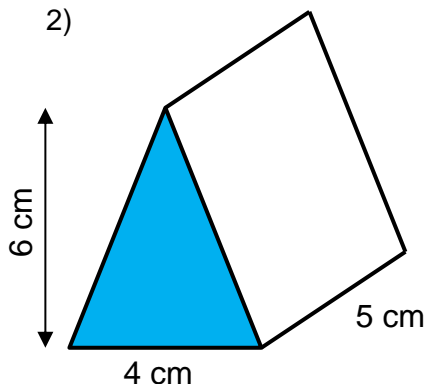
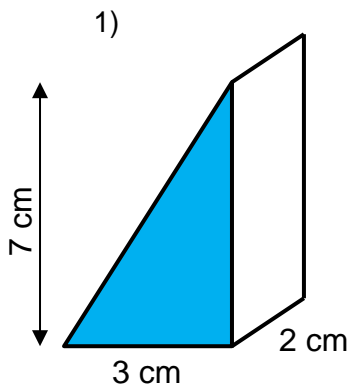
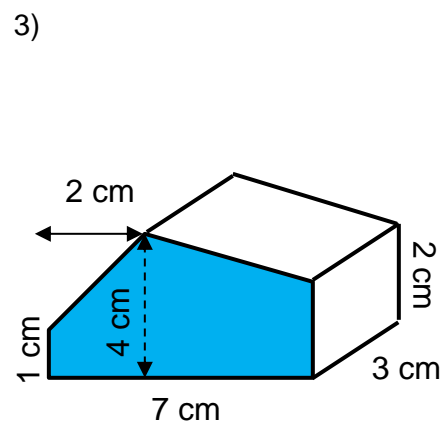
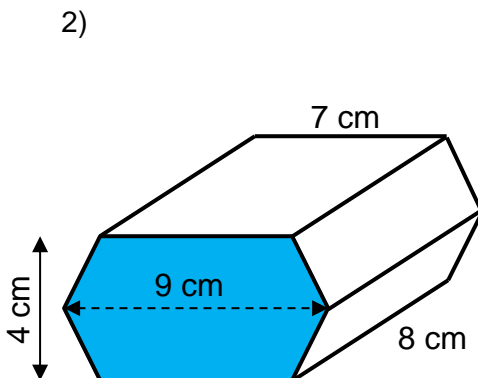
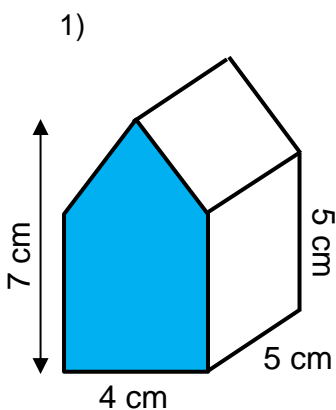
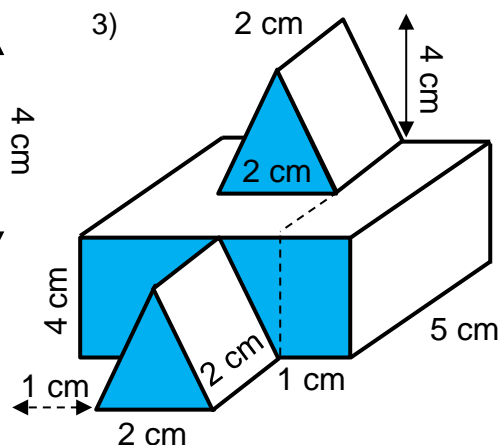
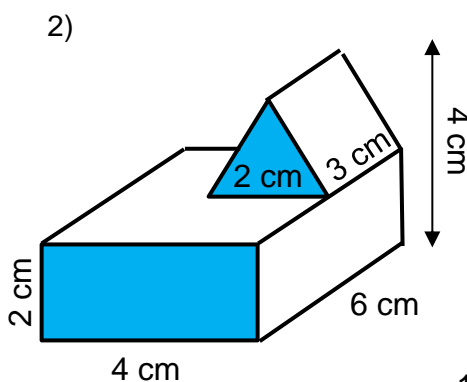
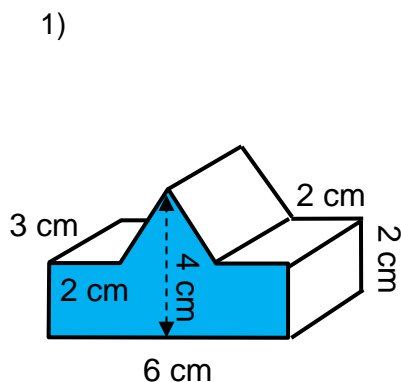
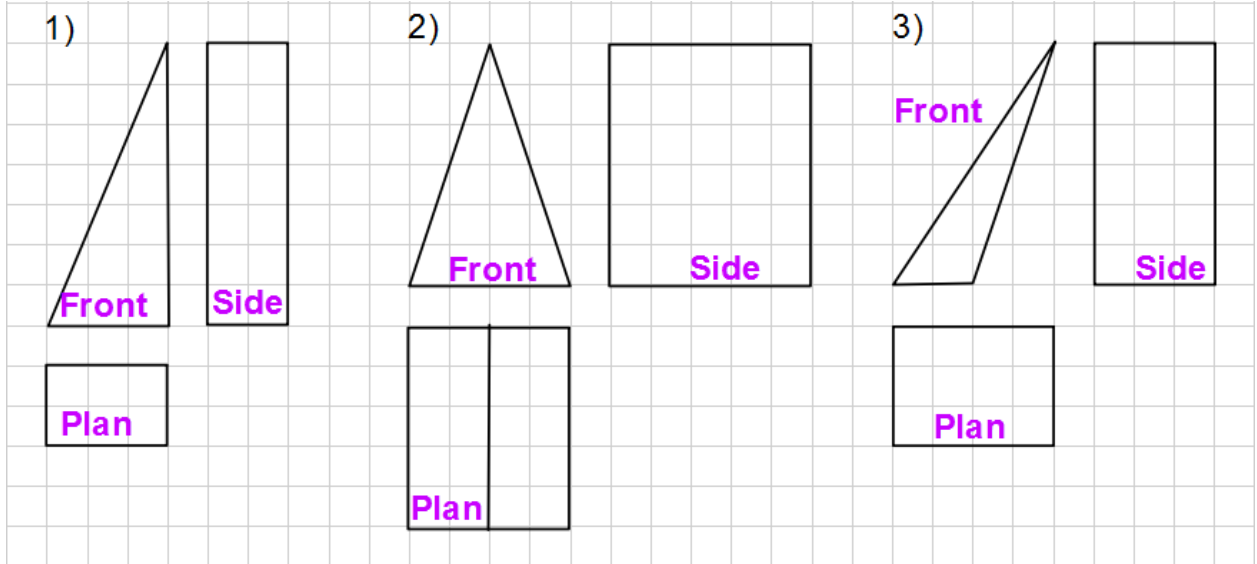




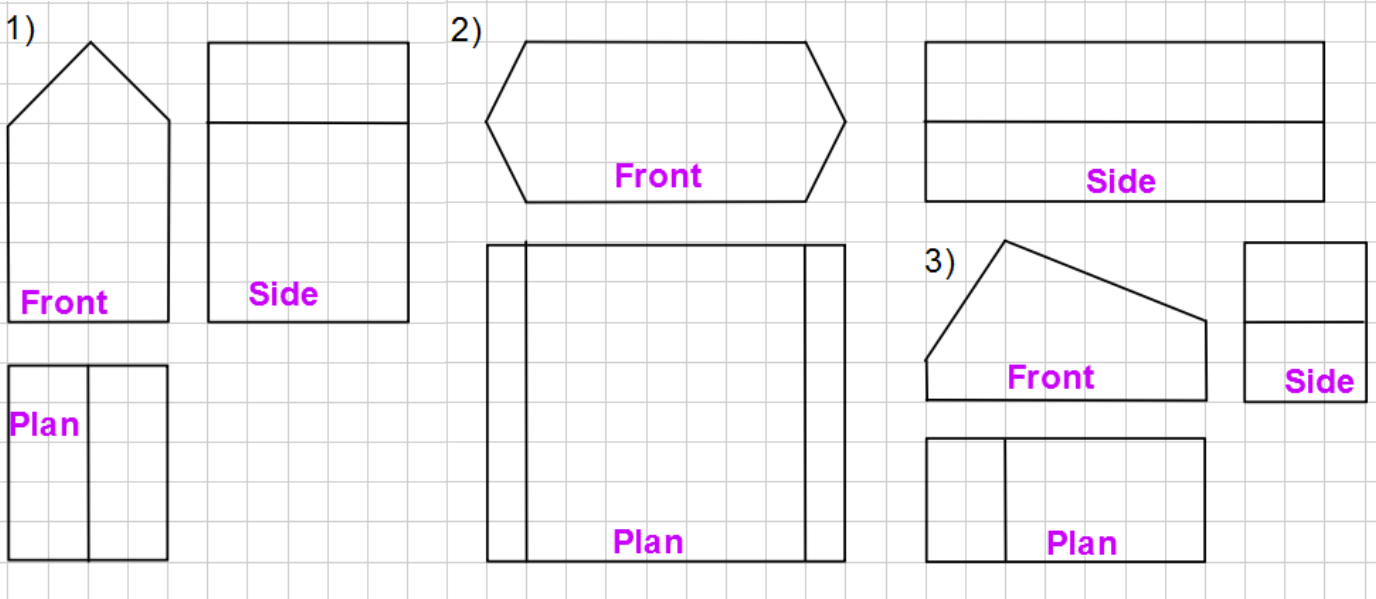
Draw the plan, side elevation and front elevation for the following 3D objects.
The front side is shaded.

Section A**Section B****Section C**

Section A



Section B



Section C

