

L1 MARCH QUIZ

RECAP

62 X 29

$$1645 \div 7$$

$$57.95 + 52.3$$

28.33 - 19.84

CALCULATE 5% OF £78

INCREASE £110 BY 40%

CALCULATE $\frac{2}{5}$ OF 180

CALCULATE $\frac{2}{3}$ OF £60

WRITE 35% AS A DECIMAL

WRITE 35% AS A FRACTION
IN ITS SIMPLEST FORM

ORDER FROM SMALLEST TO
LARGEST

35% $\frac{1}{3}$ 0.3 $\frac{1}{4}$

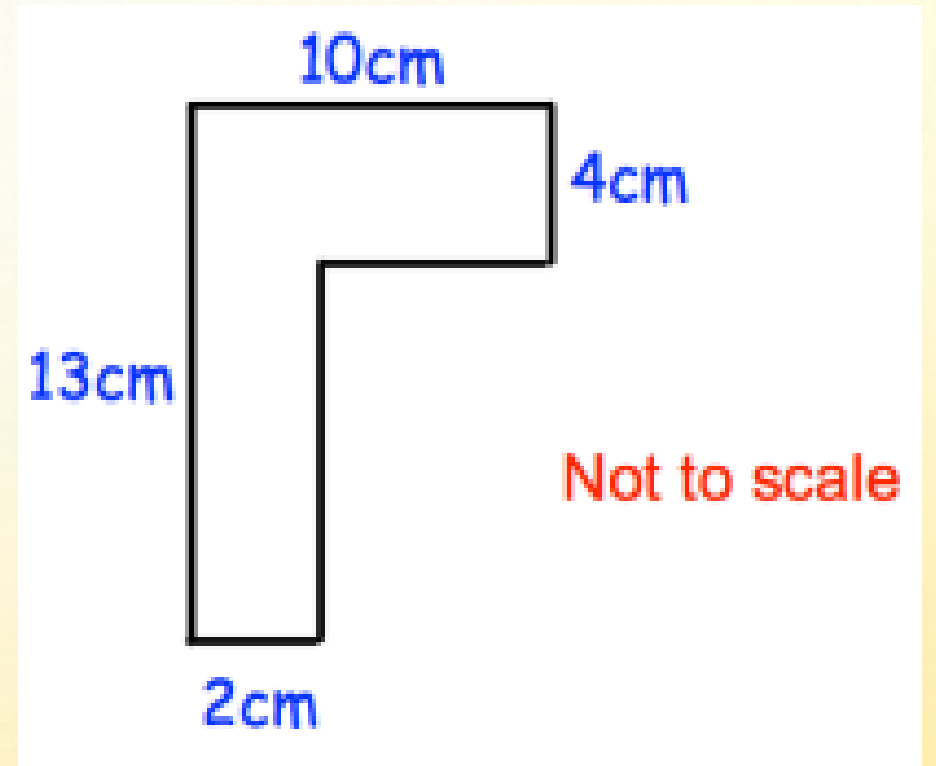
FIND THE MEAN AND RANGE

OF

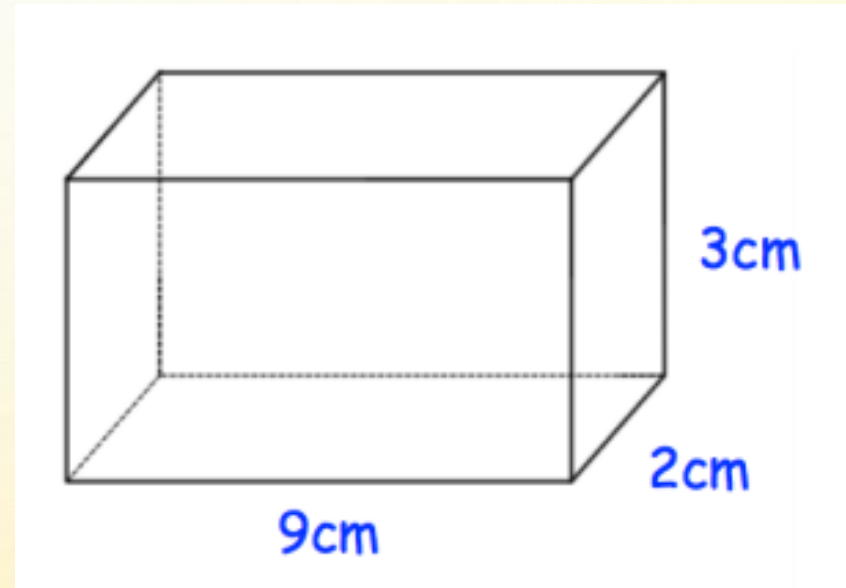
7, 14, 8, 13

Fraction	Decimal	Percentage
$\frac{1}{5}$		
	0.3	
$\frac{3}{4}$		75%
		15%

CALCULATE THE
AREA AND
PERIMETER OF
THIS SHAPE.

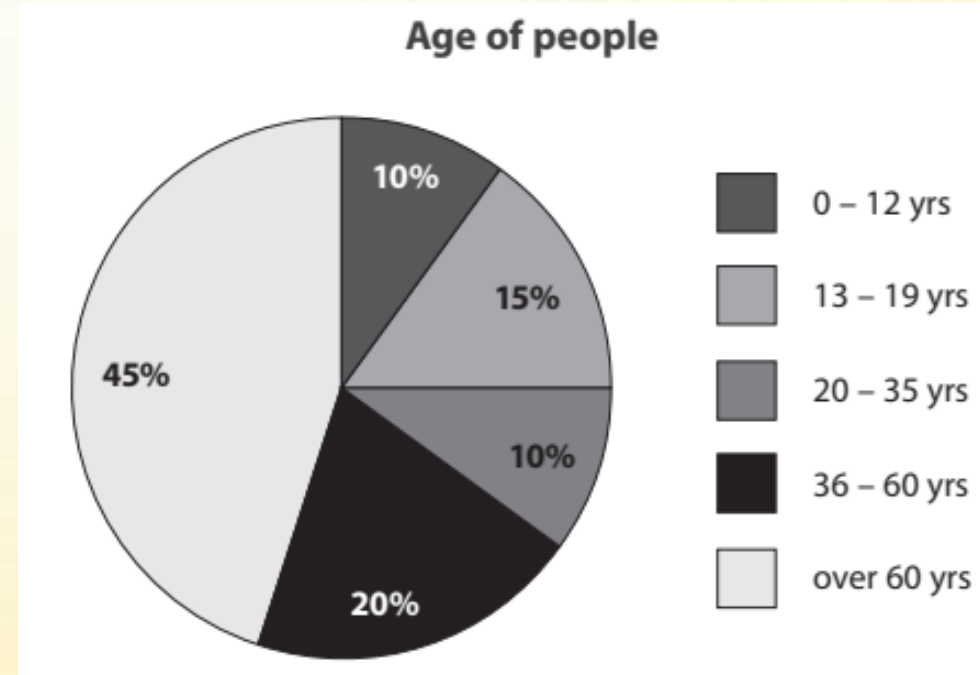


CALCULATE THE
VOLUME OF THIS
SHAPE.



CALCULATE THE VOLUME OF A CUBE
WITH SIDE LENGTH 6CM.

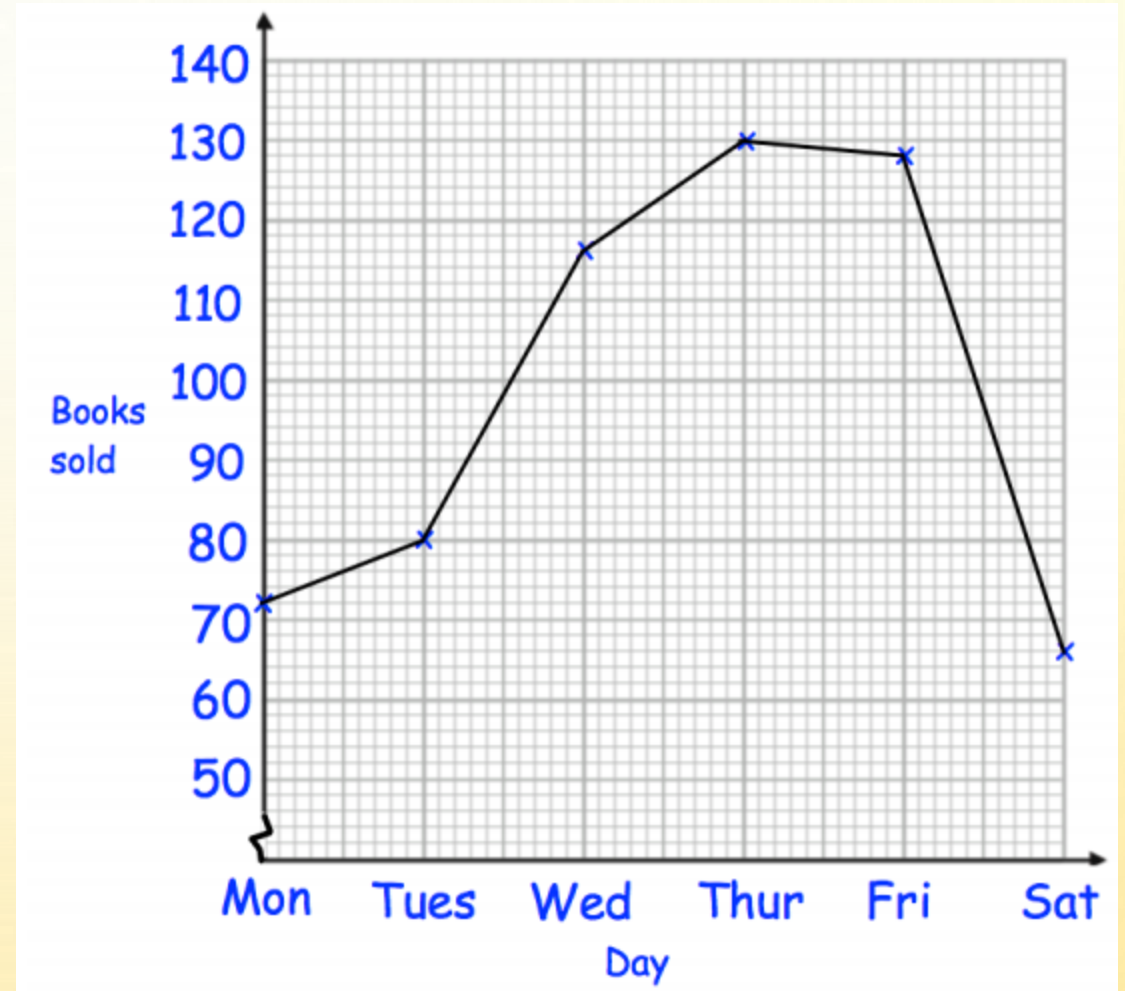
ARE ONE QUARTER
OF THE PEOPLE
AGED 36-60 YEARS
OLD?



1) WHICH DAY WERE THE MOST BOOKS SOLD?

2) WHICH DAY WERE THE LEAST BOOKS SOLD?

3) HOW MANY BOOKS WERE SOLD ON TUESDAY?



$$10 - 3^2 =$$

$$10 + 3 \times 2 =$$

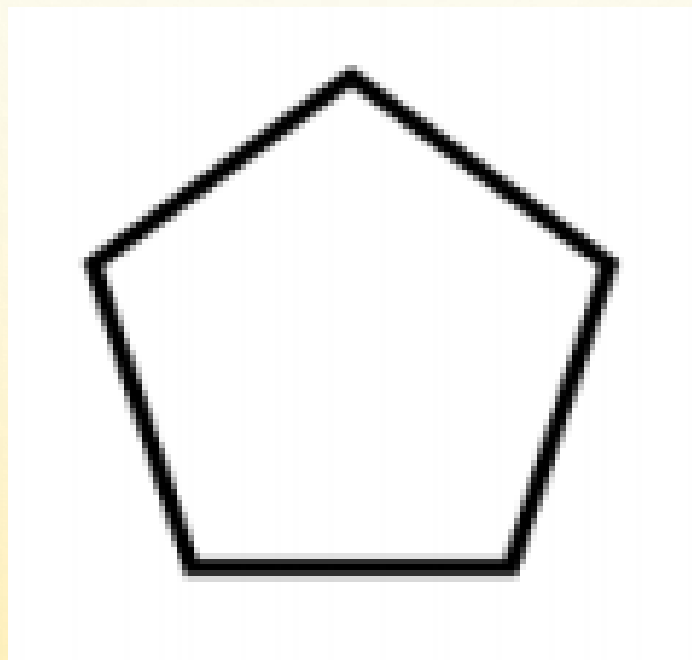
$$-19 + -4 =$$

WHAT ARE THE FIRST THREE
MULTIPLES OF 8?

WRITE TWO FACTORS OF 12

ROUND 38.5 TO THE
NEAREST WHOLE NUMBER

NAME THIS SHAPE?



WHAT IS THREE CUBED?

CONVERT 4.6M TO CM

CONVERT 1750 GRAMS INTO
KG

$$500\text{ML} + 1600\text{ML} =$$

GIVE YOUR ANSWER IN

LITRES

CONVERT 3.4M TO
MILLIMETRES

HOW MANY MINUTES IN 10
HOURS?

WHAT IS $2\frac{3}{4}$ HOURS IN
MINUTES?