

Please check the examination details below before entering your candidate information

Candidate surname

Other names

**Pearson Edexcel
Functional Skills**

Centre Number

Candidate Number

*****Past Paper 5*****

Time: 1 hour 30 minutes

Paper Reference **PMAT1/C05**

Mathematics

Level 1

Section B (Calculator)



You must have:

Pen, HB pencil, eraser, ruler graduated in cm and mm, protractor, pair of compasses. Tracing paper may be used.

Total Marks

My signature confirms that I will not discuss the content of the test with anyone.

Signature: _____

Instructions

- Use **black** ink or ball-point pen.
- **Fill in the boxes** at the top of this page with your name, centre number and candidate number.
- Sign the declaration.
- Answer **all** questions.
- Write your final answers in the boxes provided.
- Answer the questions in the spaces provided – *there may be more space than you need.*
- You **must** show clearly how you get your answers in the spaces provided. Marks will be awarded for your working out.
- Check your working and answers at each stage.
- Diagram are **not** accurately drawn, unless otherwise indicated.
- **Calculators may be used.**
- If your calculator does not have a π button take the value of π to be 3.14

Information

- The total mark for this section is 42.
- The total mark for this paper is 56.
- The marks for **each** question are shown in brackets
– *use this as a guide as to how much time to spend on each question.*
- This sign shows where marks will be awarded for showing your checks.

Advice

- Read each question carefully before you start to answer it.
- Check your answers if you have time at the end.

Turn over ►

P67367A

©2020 Pearson Education Ltd.

1/1/1/1



P 6 7 3 6 7 A 0 1 1 6



Pearson

SECTION B

Answer ALL questions. Write your answers in the spaces provided.

1 Wayne earns £13.55 for every hour he works.

These are the hours per day he worked last week.

Day	Wednesday	Thursday	Friday
Hours worked	5 hours	7½ hours	6 hours 30 minutes

How much did Wayne earn last week?

(3)

£

(Total for Question 1 is 3 marks)

DO NOT WRITE IN THIS AREA

DO NOT WRITE IN THIS AREA

DO NOT WRITE IN THIS AREA

DO NOT WRITE IN THIS AREA

DO NOT WRITE IN THIS AREA

DO NOT WRITE IN THIS AREA



2 Here is a set of 8 numbers.

184	150	172	168
150	179	175	182

(a) Work out the mean value of this set of numbers.

(3)



(b) Use a reverse calculation to show a check for your answer.

(1)

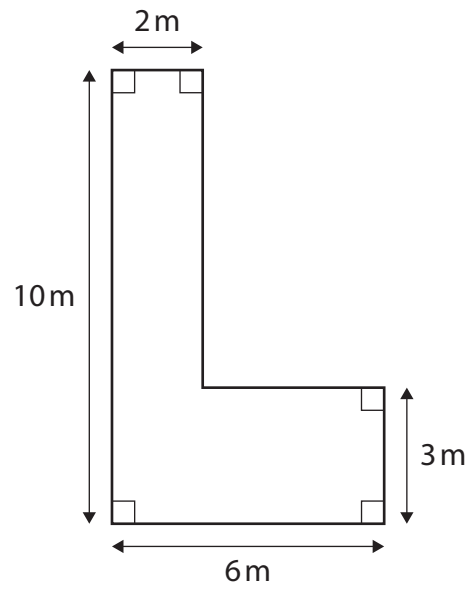
(Total for Question 2 is 4 marks)



- 3 Jamie has this diagram of his kitchen floor. He is going to cover the floor with tiles.

The tiles are sold in packs.
One pack of tiles will cover 1.2 m^2

Tiles can be cut and joined.



Work out the number of packs Jamie needs to buy.
You **must** show your working.

(5)

DO NOT WRITE IN THIS AREA

DO NOT WRITE IN THIS AREA

DO NOT WRITE IN THIS AREA

DO NOT WRITE IN THIS AREA

DO NOT WRITE IN THIS AREA

DO NOT WRITE IN THIS AREA



DO NOT WRITE IN THIS AREA

DO NOT WRITE IN THIS AREA

DO NOT WRITE IN THIS AREA

DO NOT WRITE IN THIS AREA

DO NOT WRITE IN THIS AREA

DO NOT WRITE IN THIS AREA

[Empty answer area for Question 3]

packs

(Total for Question 3 is 5 marks)



4 Jurita has 103 lamps in her shop to sell.

The price of each lamp is £26.99

Jurita wants to estimate her income from selling these lamps.

Estimate the income for Jurita.
You **must** show your working.

(3)

£

(Total for Question 4 is 3 marks)

DO NOT WRITE IN THIS AREA

DO NOT WRITE IN THIS AREA

DO NOT WRITE IN THIS AREA

DO NOT WRITE IN THIS AREA

DO NOT WRITE IN THIS AREA

DO NOT WRITE IN THIS AREA



- 5 Michael is organising a meeting at his rugby club.
He wants to display the results of the games the rugby team played last year.

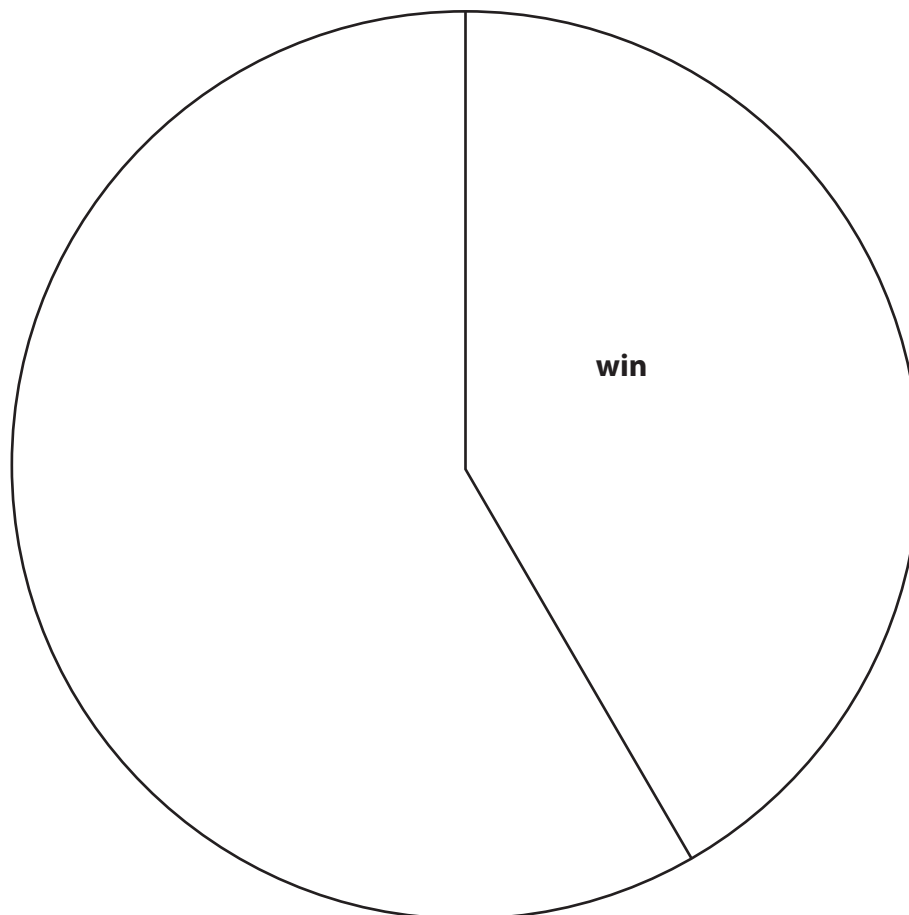
Michael has this information.

result	number of games	angle size
win	25	150
lose	15	
draw	20	

Michael starts to display this information in a pie chart.

Complete the pie chart for Michael.

(3)



(Total for Question 5 is 3 marks)



- 6 Danielle is a fitness class instructor. She is updating her website.

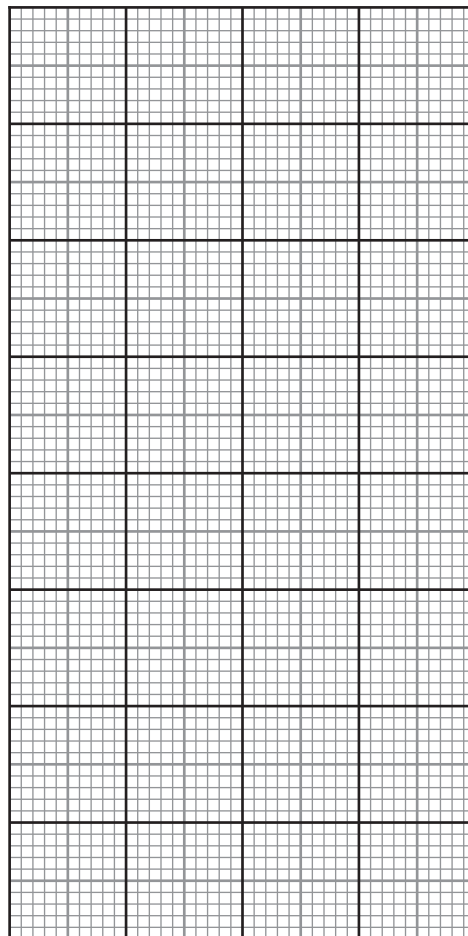
Danielle has this information about the ages of people attending fitness classes in the UK.

age (years)	number of people (for every 1000 people attending classes)
under 18	100
18–34	310
35–54	370
55 and over	220

Danielle wants to display this information as a graph.

- (a) On the grid, show a suitable graph for Danielle.

(3)



DO NOT WRITE IN THIS AREA

DO NOT WRITE IN THIS AREA

DO NOT WRITE IN THIS AREA

DO NOT WRITE IN THIS AREA

DO NOT WRITE IN THIS AREA

DO NOT WRITE IN THIS AREA



For every 1000 people who attend fitness classes in the UK, 370 are aged 35 to 54

Danielle thinks that 370 out of 1000 is less than 5%

(b) Is Danielle correct?
Show why you think this.

(2)

Danielle collects data about the ages of people who attend her fitness classes.

age (years)	tally	frequency
under 18		
18–34	//// //	
35–54	//// // ////	
55 and over	////	

(c) Complete the frequency column for Danielle.

(1)

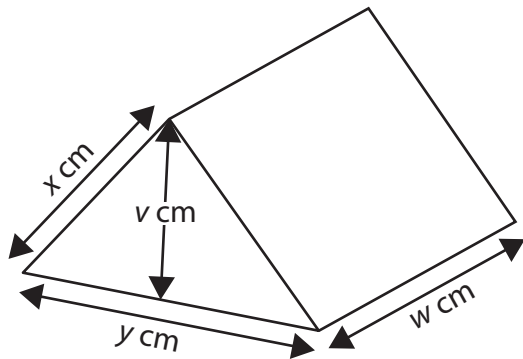
(Total for Question 6 is 6 marks)



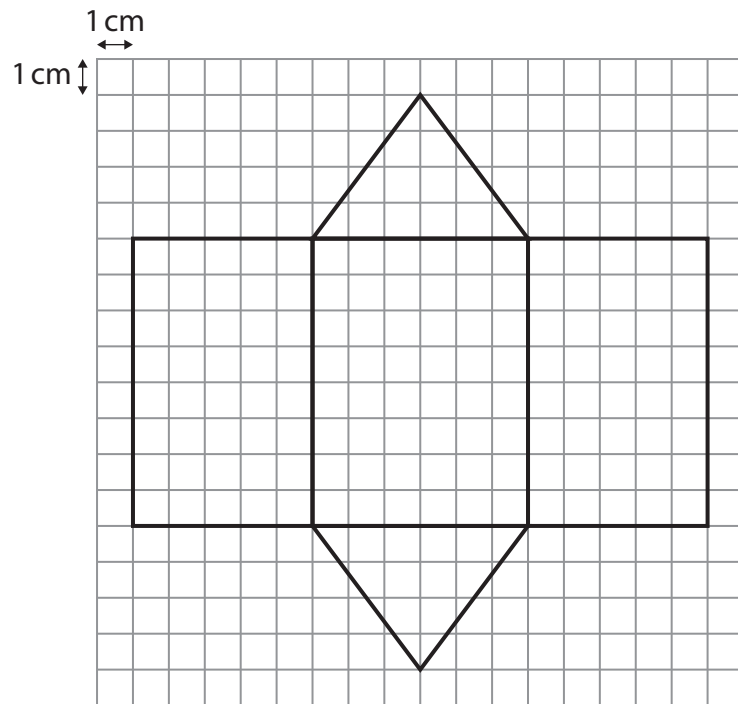
7 Andrew sells cheese.

He wants to put the cheese in a box.
The box is in the shape of a triangular prism.

Here is a sketch of the box.



Here is a net of the box.



Work out the values of v , w , x and y .

(3)

$v =$ cm
 $w =$ cm
 $x =$ cm
 $y =$ cm

(Total for Question 7 is 3 marks)

DO NOT WRITE IN THIS AREA

DO NOT WRITE IN THIS AREA

DO NOT WRITE IN THIS AREA

DO NOT WRITE IN THIS AREA

DO NOT WRITE IN THIS AREA

DO NOT WRITE IN THIS AREA



8 Saira employs 24 people.

One third of these people work in the repairs department.

The rest of these people work in the sales department.

How many people work in the sales department?

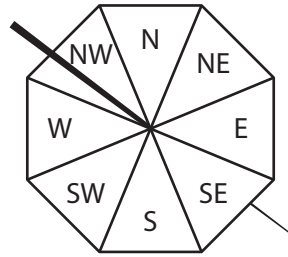
(3)

people

(Total for Question 8 is 3 marks)



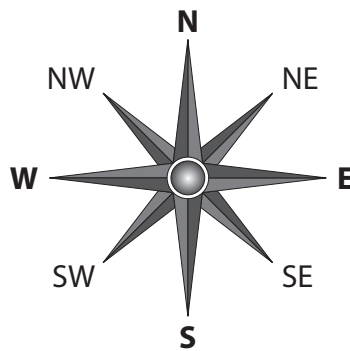
- 9 Here is a fair 8-sided spinner.
Laura spins the spinner once.



- (a) Write down the probability that the spinner will land on a section that includes the letter E.

(2)

Here is a compass.



- (b) What is the bearing if you walk in the direction southwest?

(2)

--

(Total for Question 9 is 4 marks)

DO NOT WRITE IN THIS AREA

DO NOT WRITE IN THIS AREA

DO NOT WRITE IN THIS AREA

DO NOT WRITE IN THIS AREA

DO NOT WRITE IN THIS AREA

DO NOT WRITE IN THIS AREA



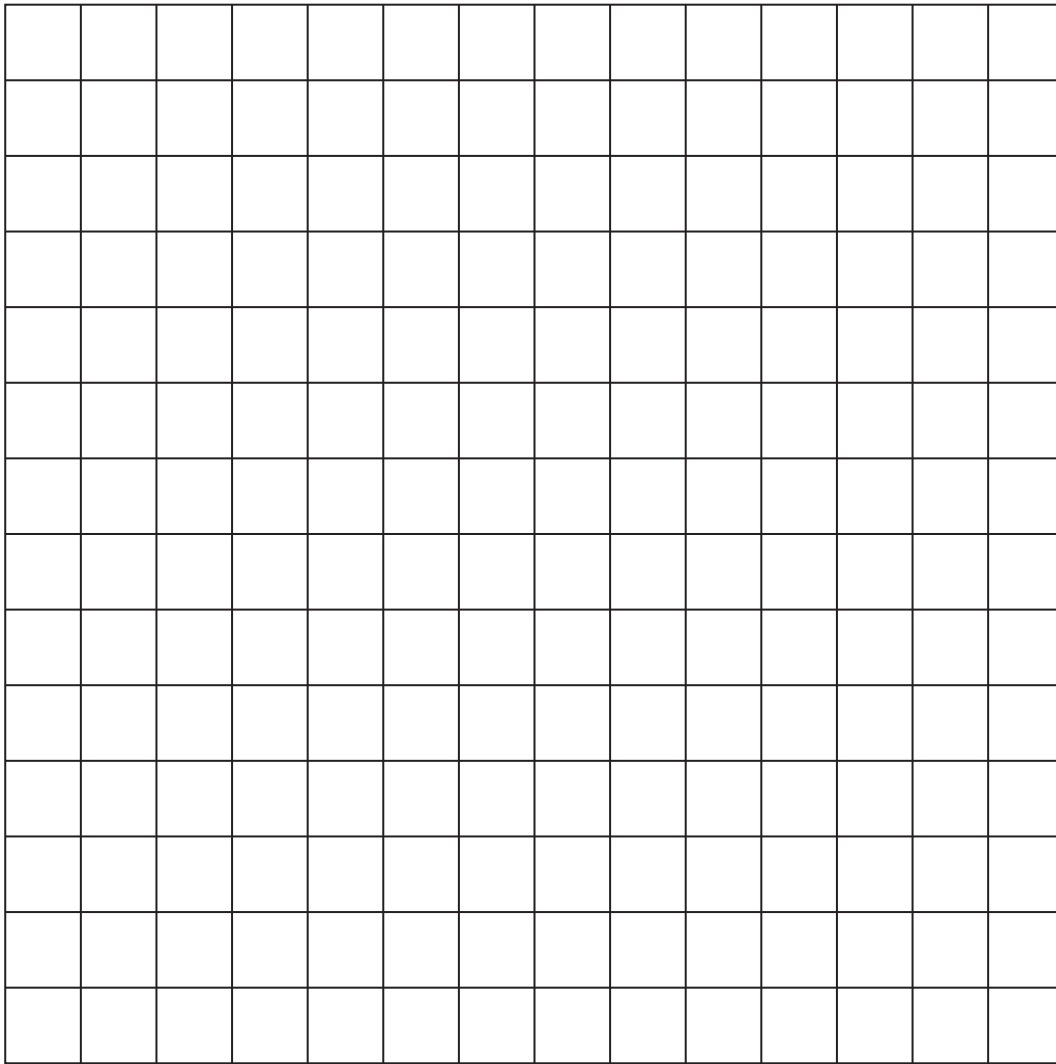
10 Polly is designing a display board.

The board needs to

- be in the shape of a kite
- have 1 line of symmetry
- be 120 cm wide
- be 80 cm tall.

Draw a suitable display board on the grid.

(3)



Key 1 square length on the grid represents 10 cm on the board

(Total for Question 10 is 3 marks)



11 Natalie wants to buy a travel bag.

She finds the following information about two travel bags.

Holdon bag	Mile bag
Capacity 38.5 litres	Internal measurements 0.25 m by 0.3 m by 0.6 m
£82.99	£81.99

The Mile bag is in the shape of a cuboid.

Natalie wants to buy the travel bag with the bigger capacity.

She knows that 1 litre = 1000 cm³

- (a) Which travel bag should Natalie buy?
Show why you think this.

(4)

DO NOT WRITE IN THIS AREA

DO NOT WRITE IN THIS AREA

DO NOT WRITE IN THIS AREA

DO NOT WRITE IN THIS AREA

DO NOT WRITE IN THIS AREA

DO NOT WRITE IN THIS AREA



DO NOT WRITE IN THIS AREA

DO NOT WRITE IN THIS AREA

DO NOT WRITE IN THIS AREA

DO NOT WRITE IN THIS AREA

DO NOT WRITE IN THIS AREA

DO NOT WRITE IN THIS AREA



(b) Use a reverse calculation to show a check of your answer.

(1)

(Total for Question 11 is 5 marks)

TOTAL FOR SECTION B IS 42 MARKS
TOTAL FOR PAPER IS 56 MARKS



DO NOT WRITE IN THIS AREA

DO NOT WRITE IN THIS AREA

DO NOT WRITE IN THIS AREA

BLANK PAGE

