

Please check the examination details below before entering your candidate information

Candidate surname

Other names

**Pearson Edexcel
Functional Skills**

Centre Number

Candidate Number

*****Past Paper 1*****

Time: 25 minutes

Paper Reference **PMAT2/N01**

Mathematics

Level 2

Section A (Non-Calculator)



You must have:

Pen, HB pencil, eraser, ruler graduated in cm and mm, protractor, pair of compasses. Tracing paper may be used.

Total Marks

My signature confirms that I will not discuss the content of the test with anyone.

Signature: _____

Instructions

- Use **black** ink or ball-point pen.
- **Fill in the boxes** at the top of this page with your name, centre number and candidate number.
- Sign the declaration.
- Answer **all** questions.
- Write your final answers in the boxes provided.
- Answer the questions in the spaces provided – *there may be more space than you need.*
- You **must** show clearly how you get your answers in the spaces provided. Marks will be awarded for your working out.
- Check your working and your answers at each stage.
- Diagrams are **not** accurately drawn, unless otherwise indicated.
- **Calculators may not be used.**
- Take the value of π to be 3.14

Information

- The total mark for this section is 16.
- The marks for each question are shown in brackets
– *use this as a guide as to how much time to spend on each question.*
- This sign shows where marks will be awarded for showing your checks.

Advice

- Read each question carefully before you start to answer it.
- Check your answers if you have time at the end.

Turn over ►

P64952A

©2019 Pearson Education Ltd.

1/1/1/1/1




Pearson



DO NOT WRITE IN THIS AREA

DO NOT WRITE IN THIS AREA

DO NOT WRITE IN THIS AREA

DO NOT WRITE IN THIS AREA

DO NOT WRITE IN THIS AREA

DO NOT WRITE IN THIS AREA

BLANK PAGE



SECTION A

Answer ALL questions. Write your answers in the spaces provided.

1

(a) Work out 5.2×9.6

(2)

(b) Work out 4×3^2

(1)

(Total for Question 1 is 3 marks)



2 On Thursday evening Malcolm's bank balance was $-\pounds 107.35$

On Friday morning

- $\pounds 1867.68$ is paid into his bank account
- $\pounds 715.21$ is paid out of his bank account.

No other payments occur.

Work out how much money is in Malcolm's bank account on Friday evening.

(3)

£

(Total for Question 2 is 3 marks)

DO NOT WRITE IN THIS AREA

DO NOT WRITE IN THIS AREA

DO NOT WRITE IN THIS AREA

DO NOT WRITE IN THIS AREA

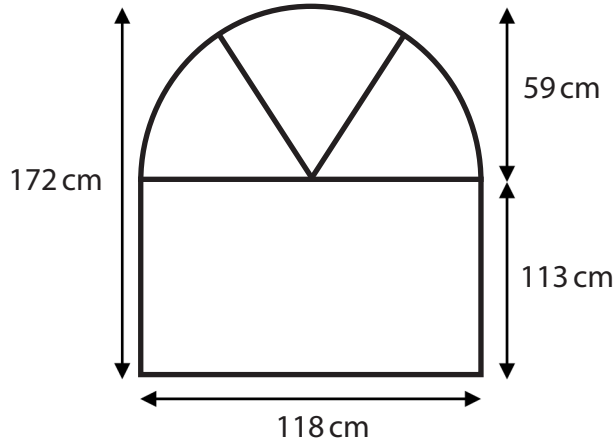
DO NOT WRITE IN THIS AREA

DO NOT WRITE IN THIS AREA



- 3 Akash needs to put plastic trim on a shaped window.
The window is made using a rectangle and a semi-circle.

The diagram shows the places where he needs to put the plastic trim.



Key
— plastic trim

Akash estimates that he will need 700 cm of plastic trim in total.

Use estimation to check if Akash's estimate is sensible.
You **must** show your working.

(4)

(Total for Question 3 is 4 marks)



4 Calvin is a train company manager.

He compares the arrival times of a morning train service for 10 days in the summer and for 10 days in the winter.

In the summer the median number of minutes late was 12.7 minutes.
The range of the number of minutes late was 11 minutes.

The results below show the number of minutes late in the winter.

8, 32, 44, 5, 17, 67, 9, 14, 10, 26

Calvin thinks that in the winter

- the median number of minutes late increases
- the train service is less consistent.

Is Calvin correct?

Show why you think this giving reasons with your answers.

(6)

DO NOT WRITE IN THIS AREA

DO NOT WRITE IN THIS AREA

DO NOT WRITE IN THIS AREA

DO NOT WRITE IN THIS AREA

DO NOT WRITE IN THIS AREA

DO NOT WRITE IN THIS AREA



DO NOT WRITE IN THIS AREA

DO NOT WRITE IN THIS AREA

DO NOT WRITE IN THIS AREA

DO NOT WRITE IN THIS AREA

DO NOT WRITE IN THIS AREA

DO NOT WRITE IN THIS AREA

Blank area for writing answers to Question 4.

(Total for Question 4 is 6 marks)

TOTAL FOR SECTION A IS 16 MARKS





DO NOT WRITE IN THIS AREA

DO NOT WRITE IN THIS AREA

DO NOT WRITE IN THIS AREA

DO NOT WRITE IN THIS AREA

DO NOT WRITE IN THIS AREA

DO NOT WRITE IN THIS AREA

BLANK PAGE

