

# Functional Skills Mathematics Entry 3 - Sample

Fill in your name, date of birth and registration number in the boxes below.

Surname:	Other Names:
Gateway Qualifications registration number:	DOB:
Centre Name:	
<b>My signature confirms that I will not discuss the content of this assessment with anyone.</b>	
Signature:	

<b>Paper Ref:</b> FSME3AA/P	<b>Time:</b> 1 hour	<b>Total Marks:</b> 25	<b>Marks Achieved:</b> /25
<b>You must have:</b> Pen, Calculator, HB Pencil, Eraser, Calculator.			
<b>Tutor Signature</b>			

### **Instructions for candidates**

- Answer all questions.
- Answer the questions in the spaces provided – there may be more space than you need.
- The total mark for this paper is 25.
- The marks for each question are shown - use this as a guide as to how much time to spend on each question.
- You must show clearly how you get your answers because marks will be awarded for your working out.
- Check your working and your answers at each stage.

## Taking photos

1. Dez wants to buy a camera.

He finds this table on a website.

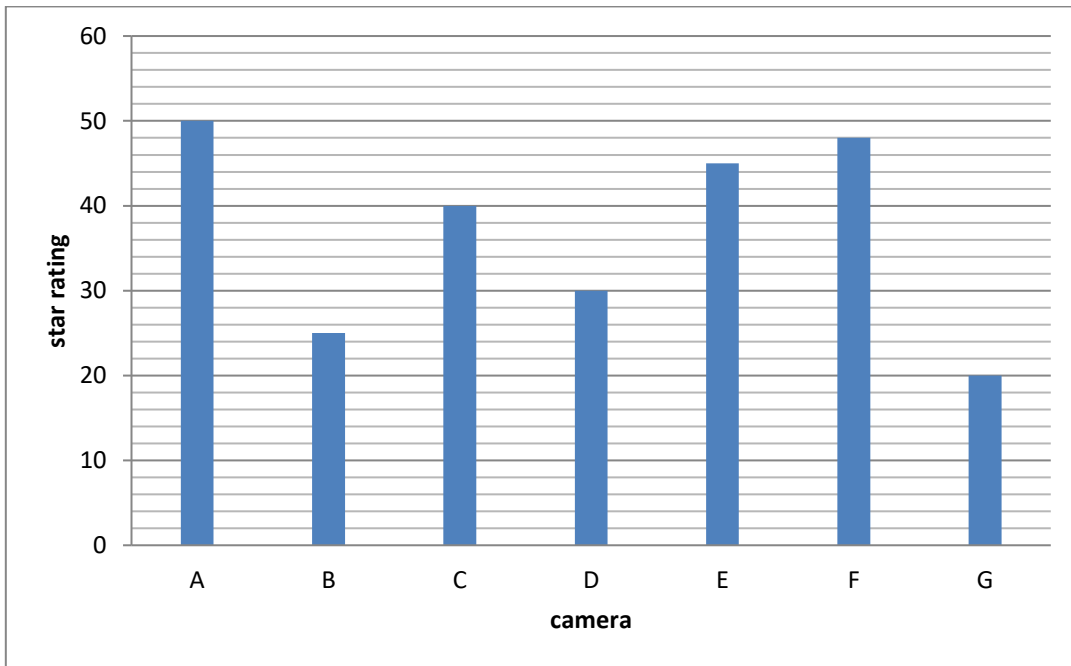
The star ratings show how good people think each camera is. The cost of each camera is also shown.



camera	star rating	cost £
A	10	149.99
B	4	94.99
C	8	124.99
D	2	45.99
E	9	111.49
F	10	99.99
G	3	89.99

1(a) Dez has £100 to spend. Which camera should he buy? Why do you think this?  
(2 marks)

On another website he finds a different chart of people's star ratings of their cameras.



1(b) From the chart, what's the **difference** in star ratings between the best and the worst camera?

*You **must** show your working.*

(2 marks)

1(c) How can you check your answer to 1(b) is correct?

*You **must** show your checking.*

(1 mark)

2. Dez wants to order frames for his photographs.

2(a) This photograph is a rectangle.

Look at the photograph.

How can you tell it is a rectangle?



(2 marks)

2(b) He looks at a website that sells frames.



How much does **one** photo frame cost?  
You **must** show your working.

(2 marks)

2(c) He compares this price with two other websites.



website 1

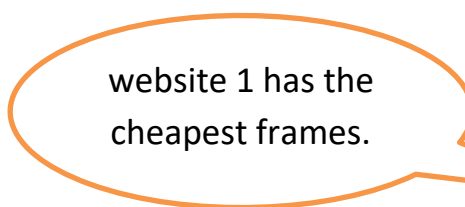


website 2



website 3

His friend Alfie says:



Is Alfie right? How do you know?  
*You **must** show your working.*

(3 marks)

2(d) How can you check your answer to (c)?  
*You **must** show your checking.*

(1 mark)

3. Dez buys some frames.

3 (a) He buys 12 frames. Half ( $\frac{1}{2}$ ) of the frames he buys are white plastic, a quarter ( $\frac{1}{4}$ ) of them are black plastic and the rest are wood.

How many of his **12** frames are wood?

You **must** show your working.

(3 marks)

3(b) Dez prints a new photograph. It measures 30cm by 20cm.

The frames he has bought measure 20cm by 15cm.

Will this new photograph fit in one of the frames? Why do you think this?

You **must** show your working.

(2 marks)

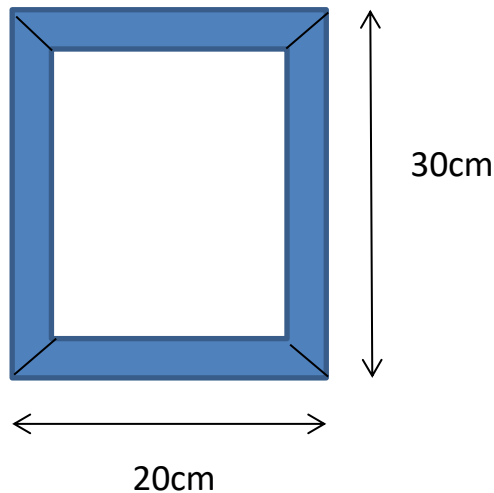
3(c) Dez buys a frame for the new photograph. It costs him £8.55. How much change does he get from £10?

You **must** show your working.

(2 marks)

4. Dez decides to make some frames as he thinks this will be cheaper.

4(a) The first frame he wants to make is 30cm by 20cm.



Dez buys a piece of wood, **1m long**. How many sides of the frame can he make with this piece of wood?

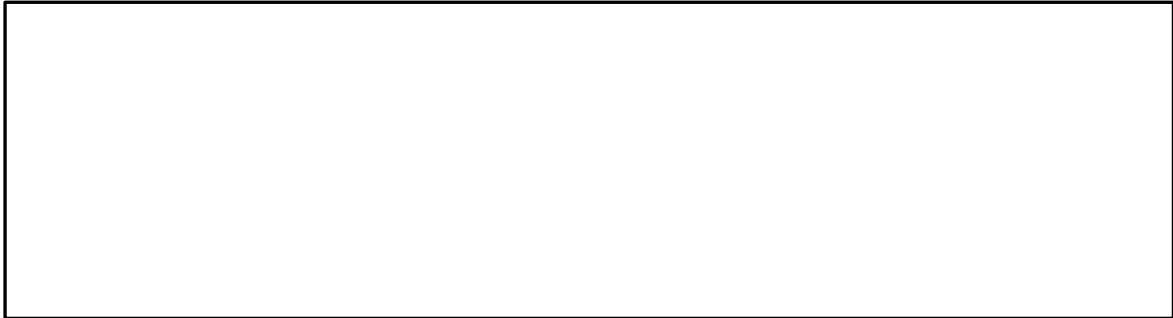
You **must** show your working.

(3 marks)

4(b) Dez makes 10 frames. The total cost for the materials is £78.56. He also pays £11 for printing all the photos. Estimate, to the nearest £10, how much he paid in total.

You **must** show your working.

(2 marks)



Marker  
Use Only

These texts and illustrations have been incorporated into this test paper solely for the purposes of the examination in accordance with Section 32 of the Copyright, Designs and Patents Act 1988, as amended by the Copyright and Rights in Performance (Research, Education, Libraries and Archives) Regulations 2014. No copyright or clearance for any other use has been obtained or sought.

**END OF ASSESSMENT**

Gateway Qualifications  
Gateway House  
3 Tollgate Business Park  
Colchester, CO3 8AB

**01206 911211**  
**[enquiries@gatewayqualifications.org.uk](mailto:enquiries@gatewayqualifications.org.uk)**  
**@GatewayQuals**