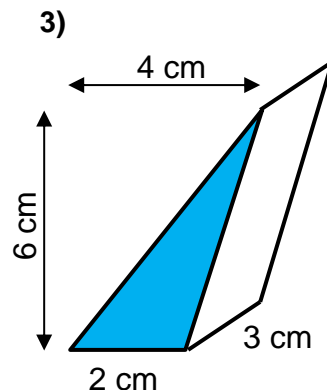
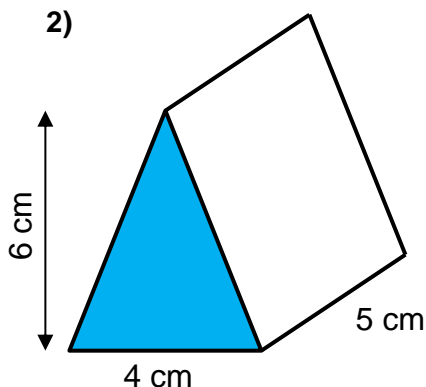
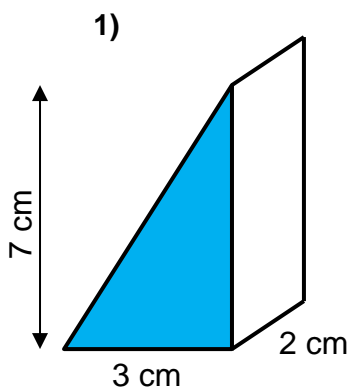
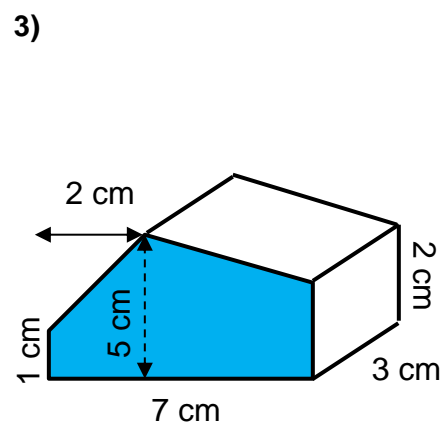
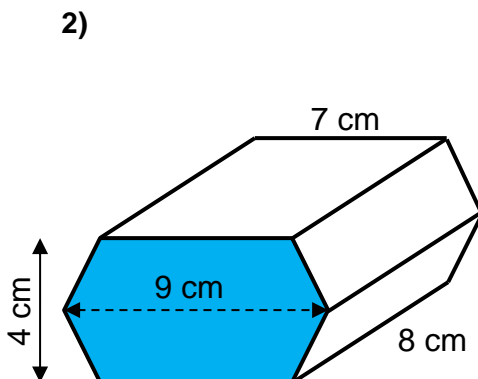
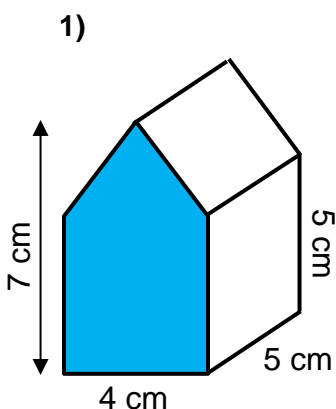




Draw the plan, side elevation and front elevation for the following 3D objects.  
The front side is shaded.

**Section A****Section B****Section C**